

# BasikBench<sup>®</sup> ASSEMBLY INSTRUCTIONS

These instructions will walk you through the process of assembling the BasikBench36 (no uprights) and BasikBench84 (with uprights).



## Tools Needed

- 3/16" Allen Wrench (included)
- Drill with Phillips Bit
- Silicone Adhesive

## Hardware Included

**A** #10 x 5/8" Pan Head Self Tapping Screw. Qty (4)



**B** 5/16"-18 x 1/2" Button Head Screw. Qty (8)



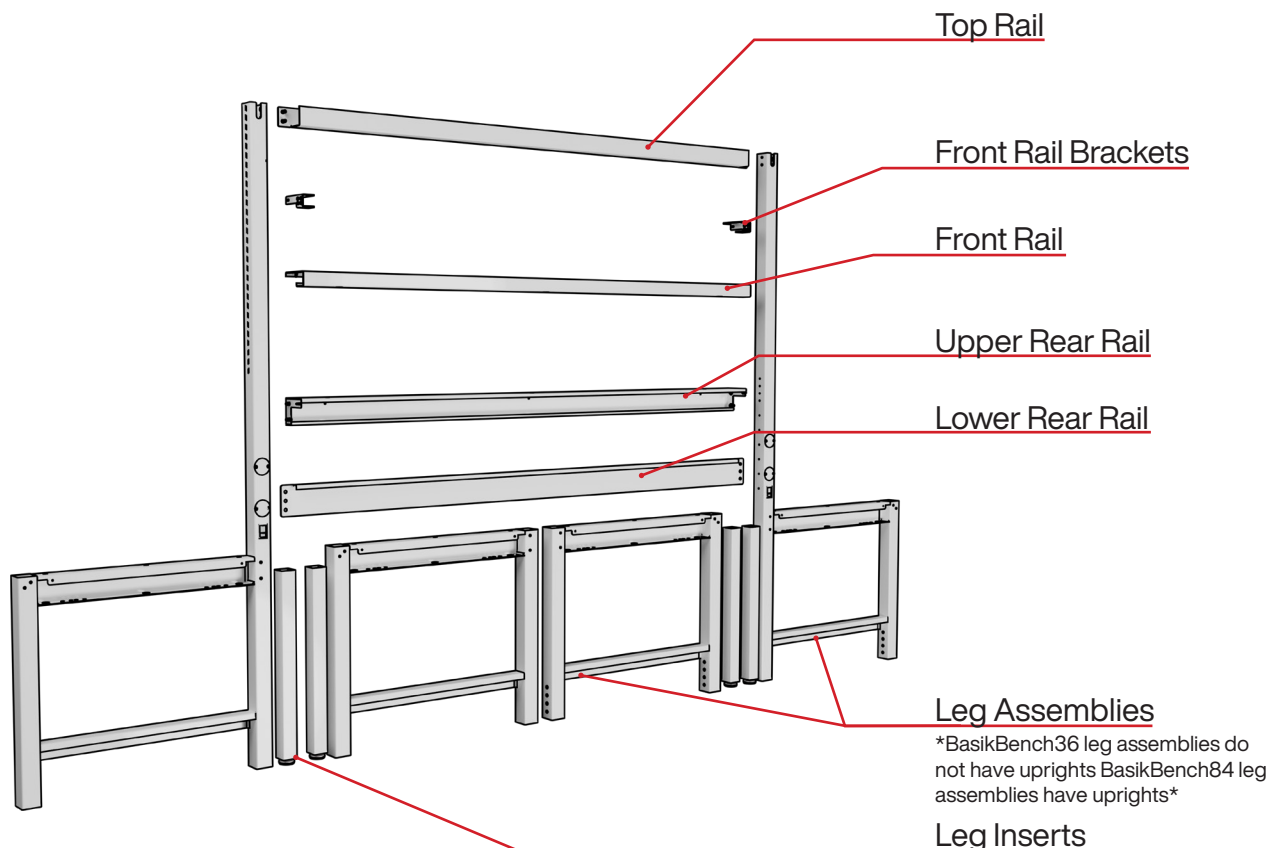
**C** #10 x 1/2" Flat Head Self Tapping Screw. Qty (6)



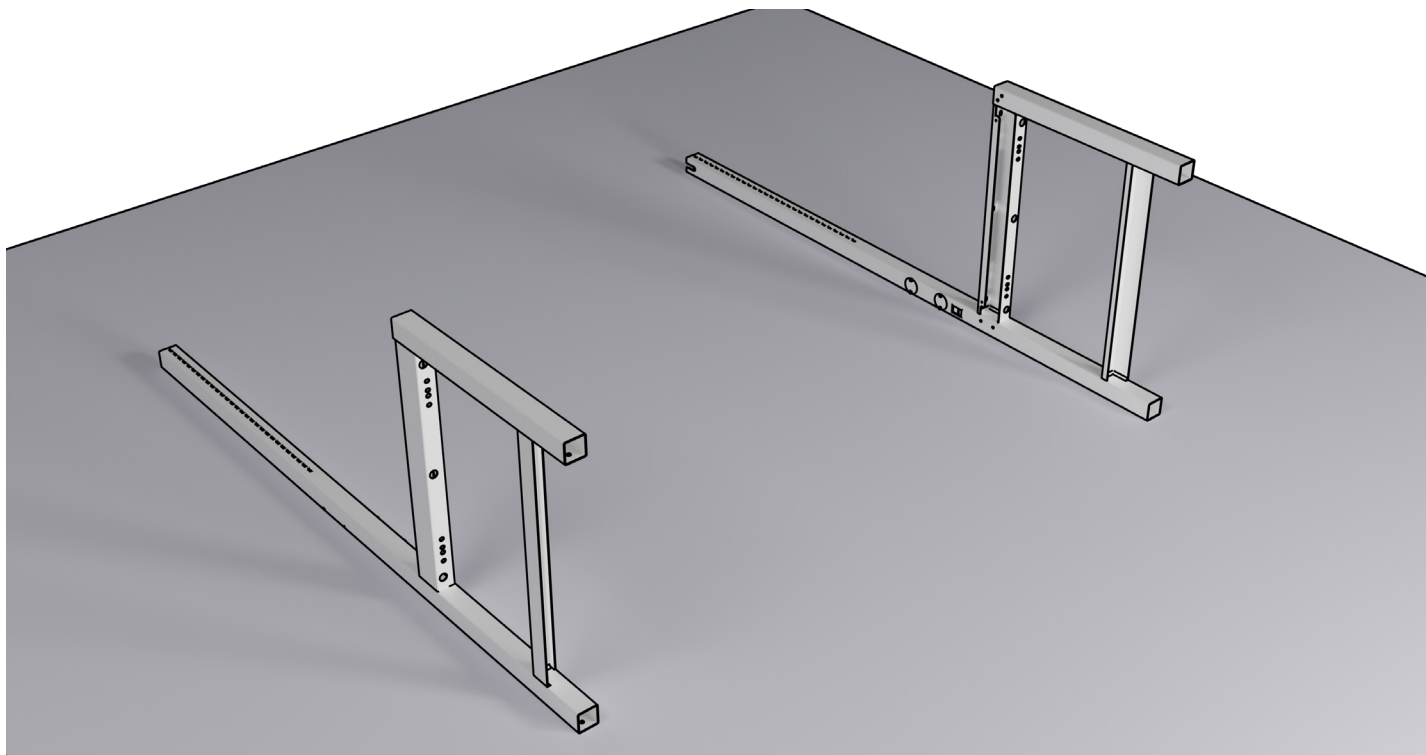
**D** 5/16"-18 x 5/8" Flanged Cap Screw. Qty (12)



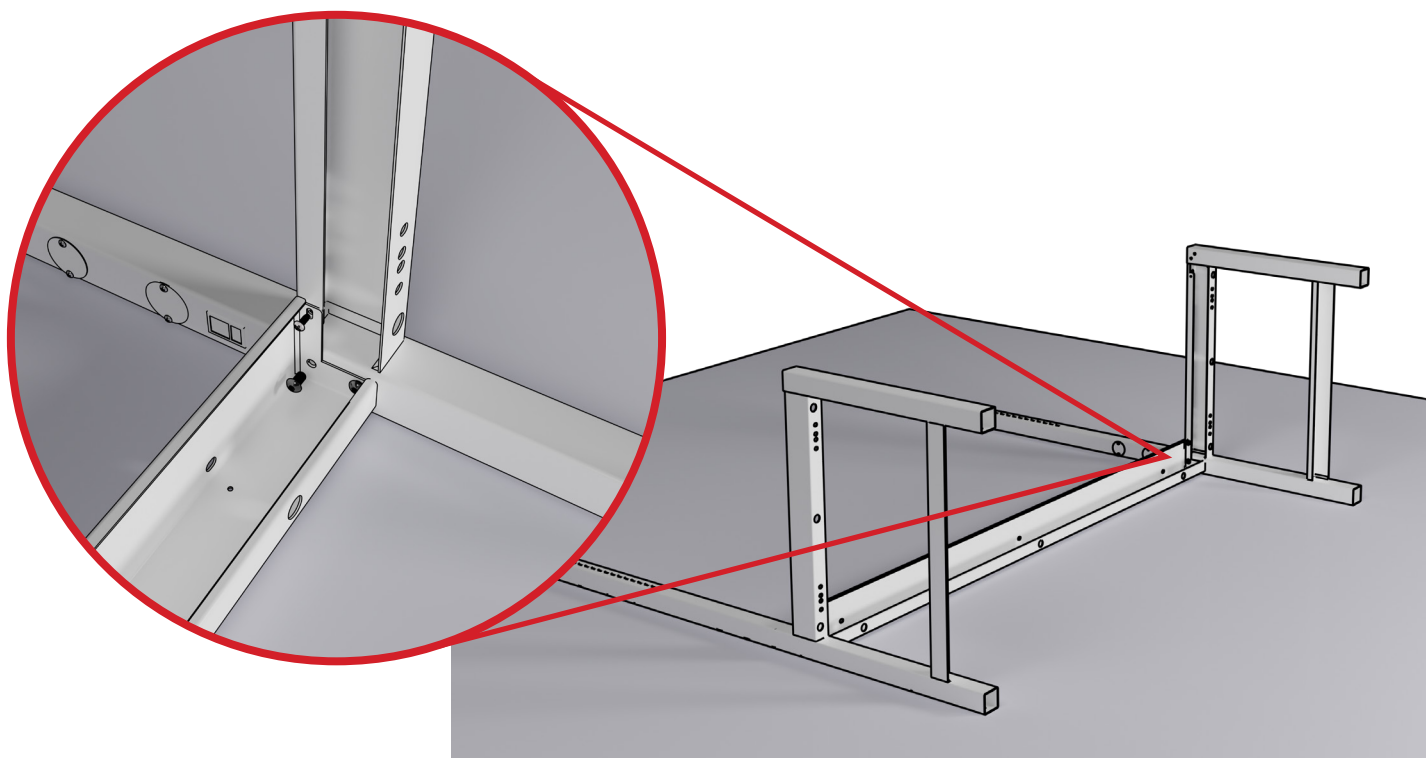
## Parts Included



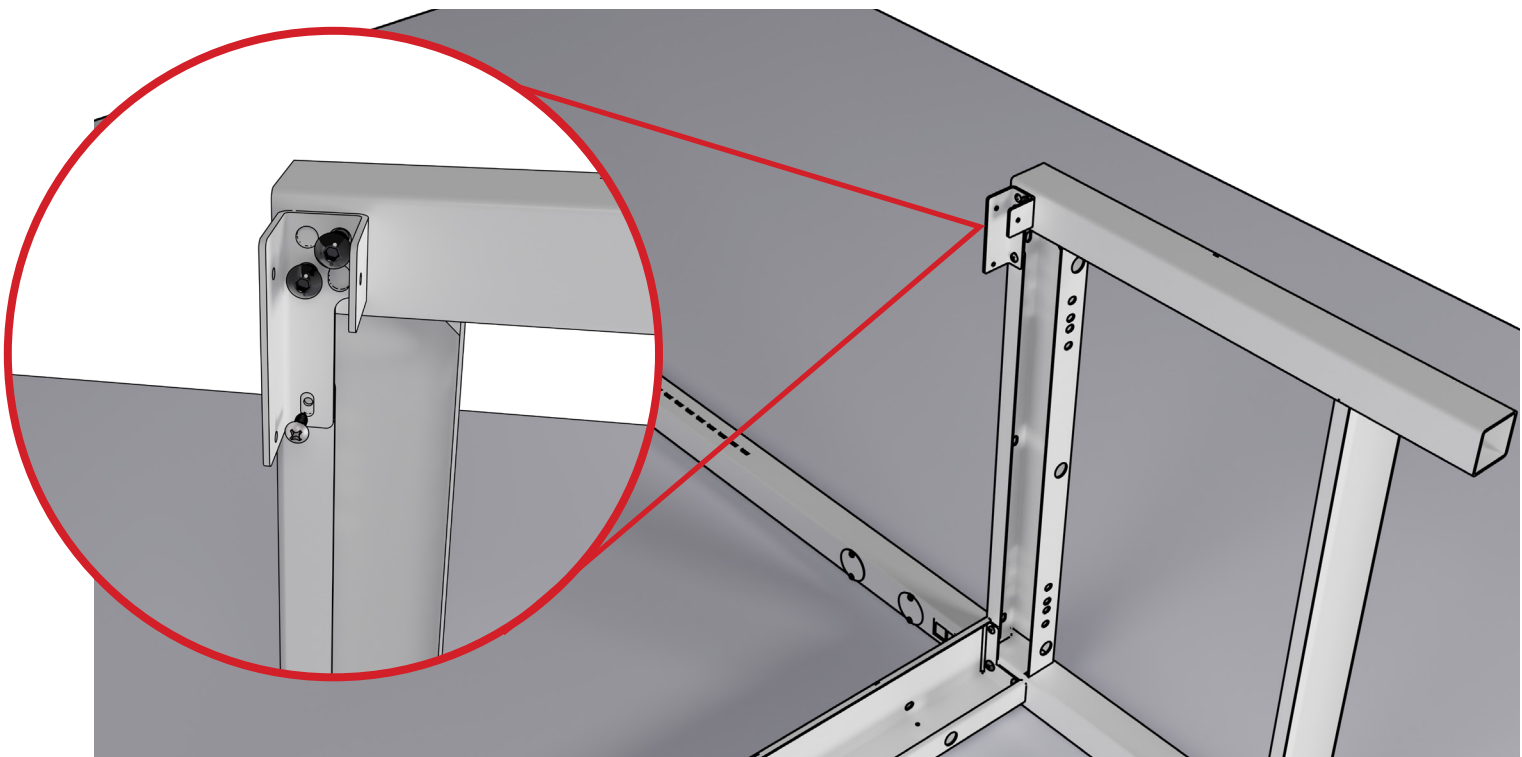
1. Align left and right Leg Assemblies, as shown, in preparation for attachment of Upper Rear Rail and Front Rail.



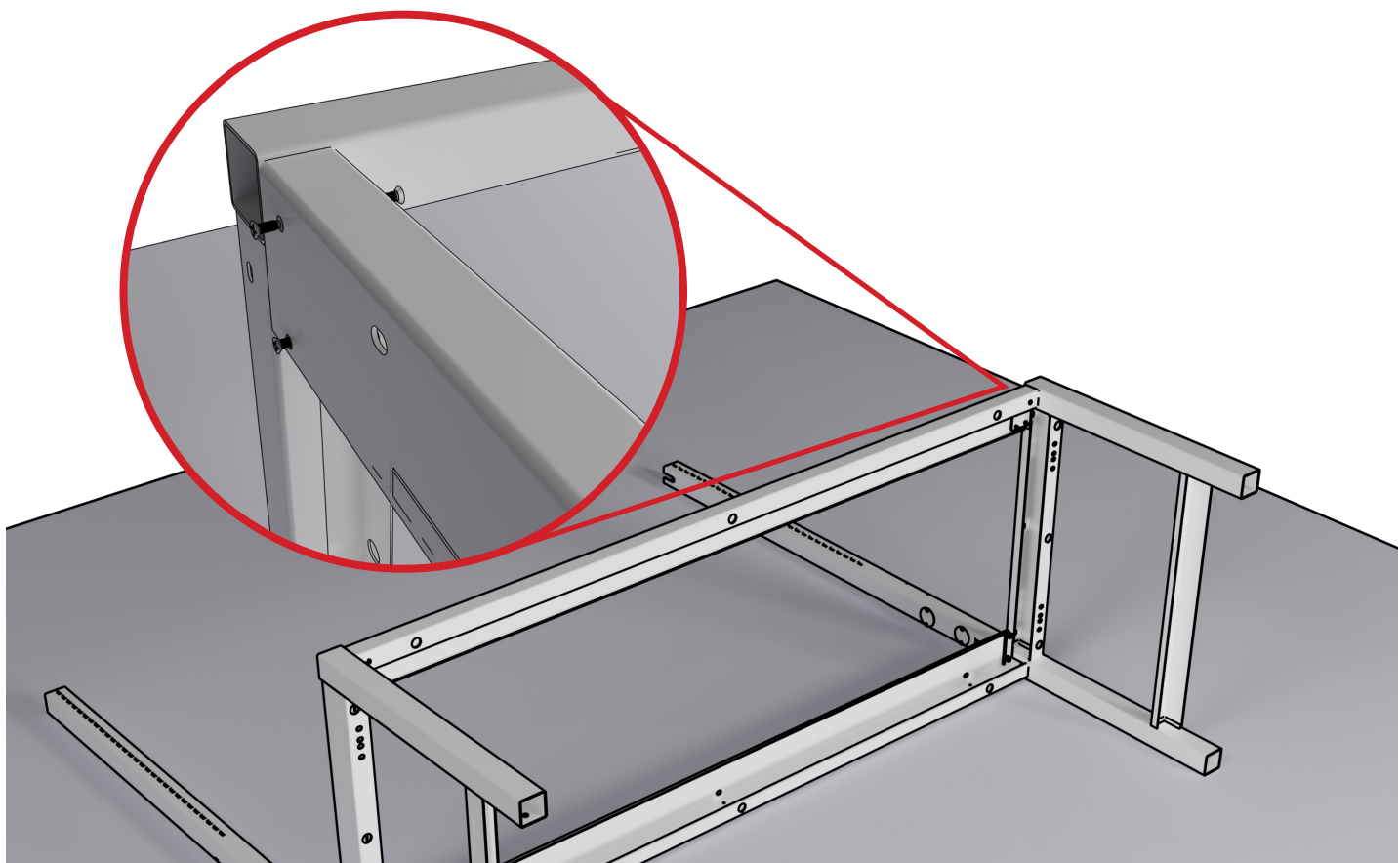
2. Align the Upper Rear Rail to the Leg Assembly as shown. Attach the rail using one (A) Pan Head Self Tapping Screw and two (B) Button Head Screws per side.



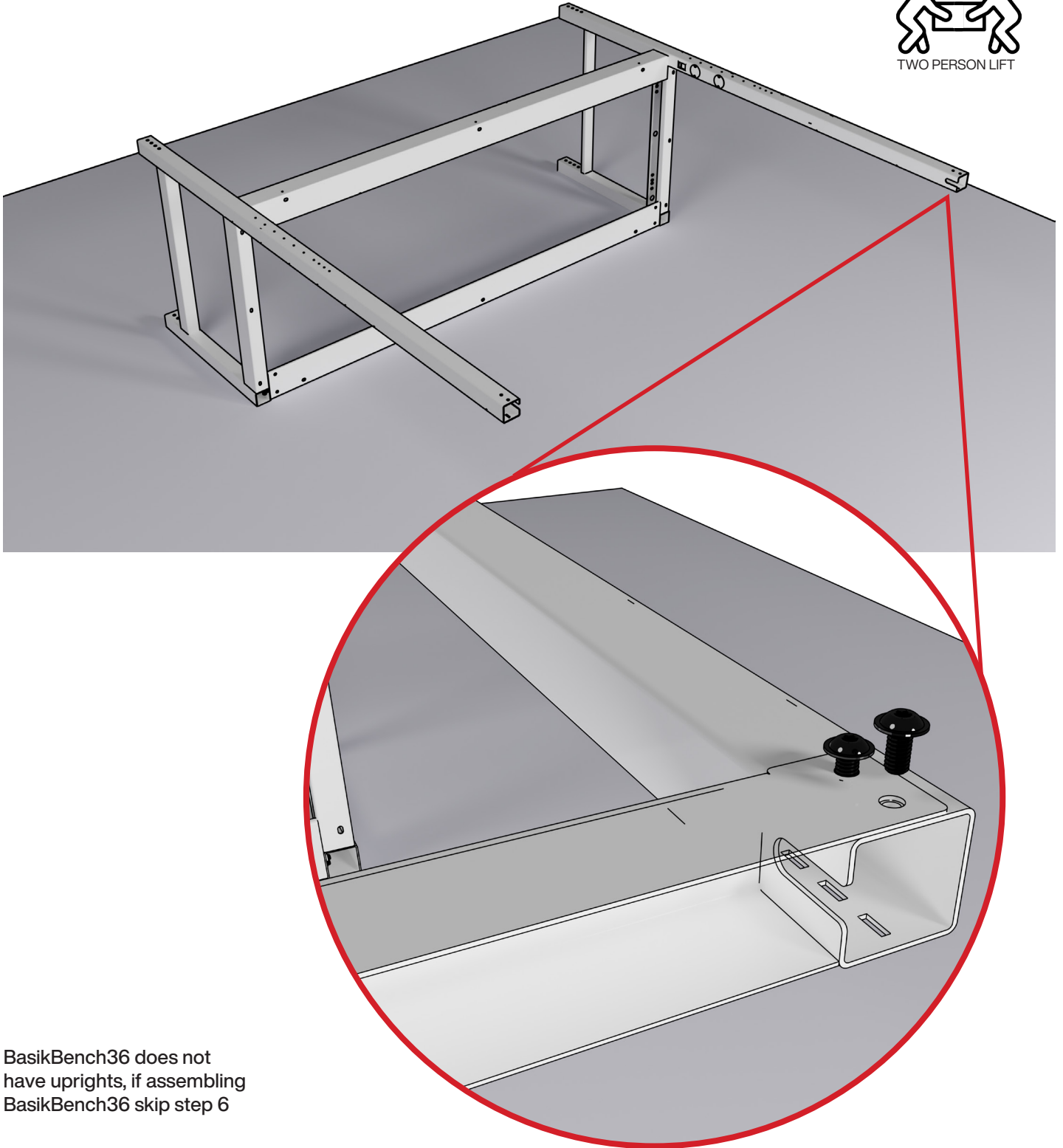
3. Install both Front Rail Brackets, as shown, to the Leg Assemblies using one **(A)** Pan Head Self Tapping Screw and two **(B)** Button Head Screws per side.



4. Install the Front Rail by sliding it over the brackets and secure using three **(C)** Flat Head Self Tapping Screw per side.

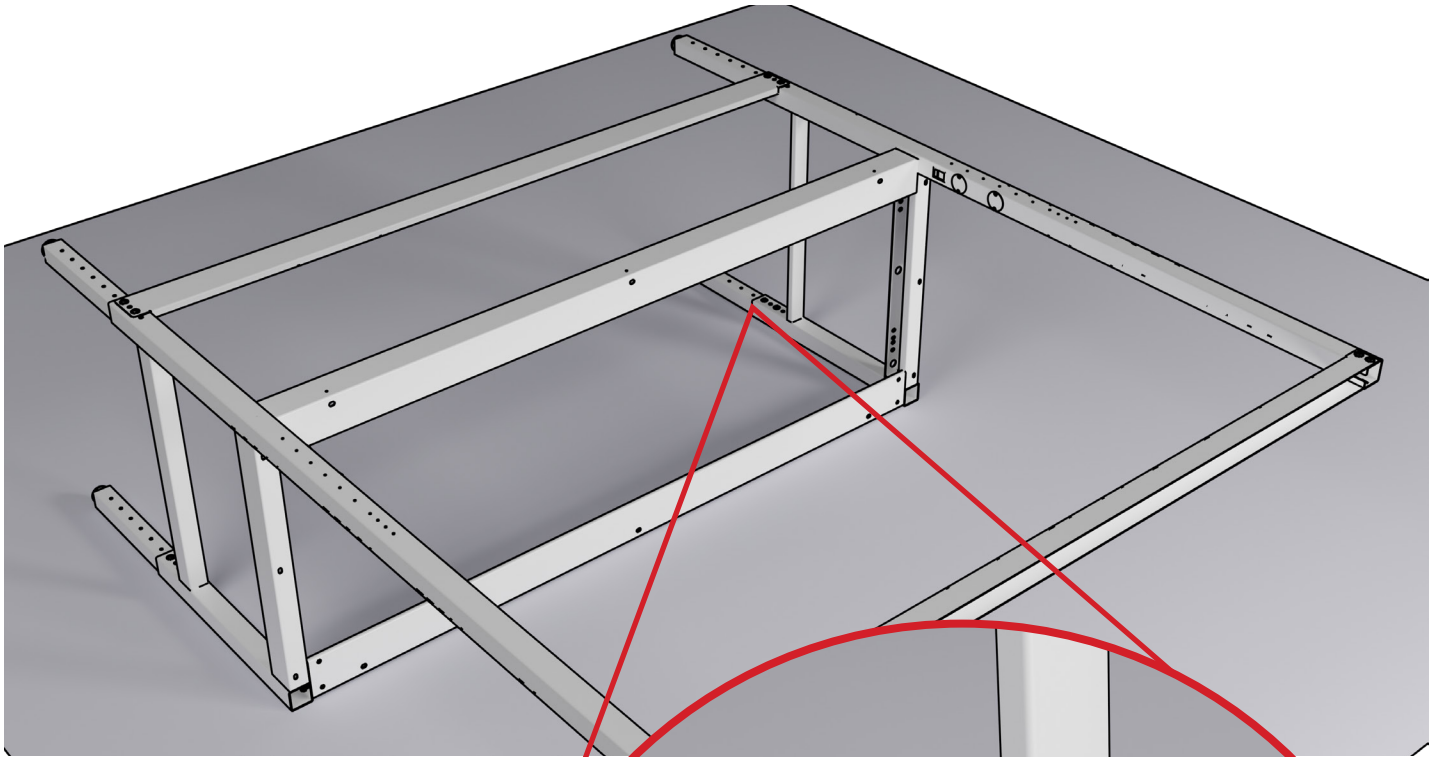


5. Flip the entire assembly over onto it's front.



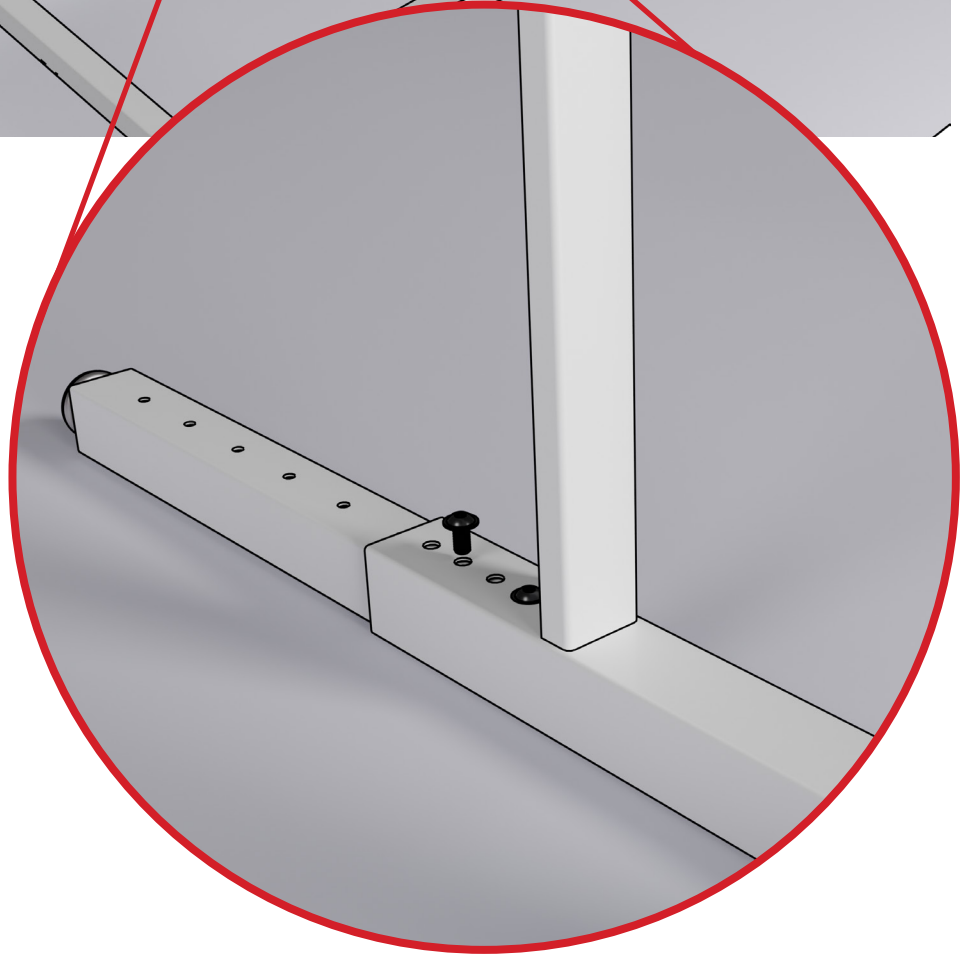
BasikBench36 does not have uprights, if assembling BasikBench36 skip step 6

6. Place the Top Rail between the uprights as shown. Attach using two **(D)** Flanged Cap Screws per side

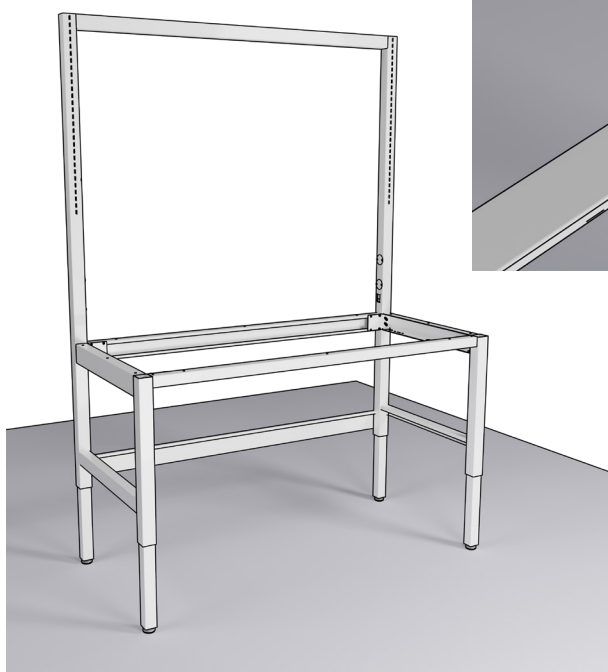
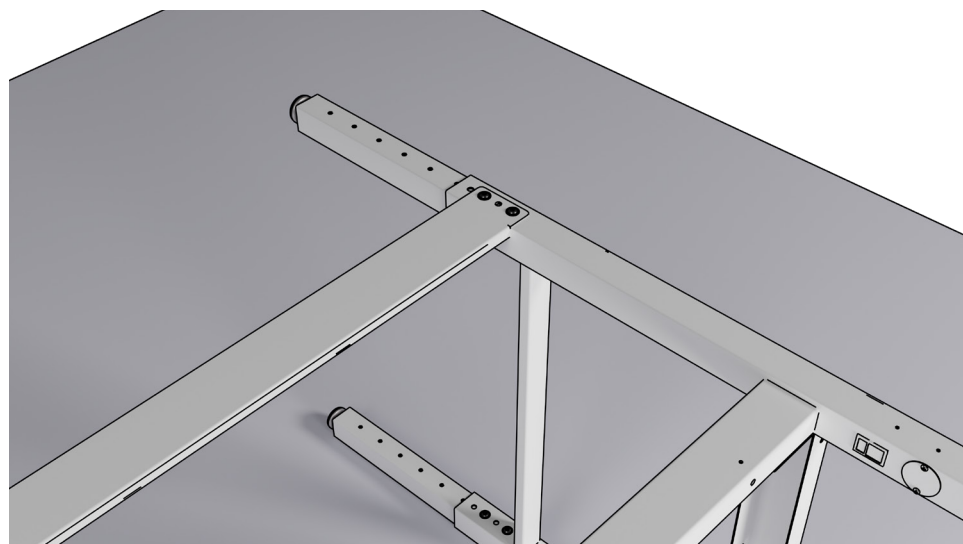
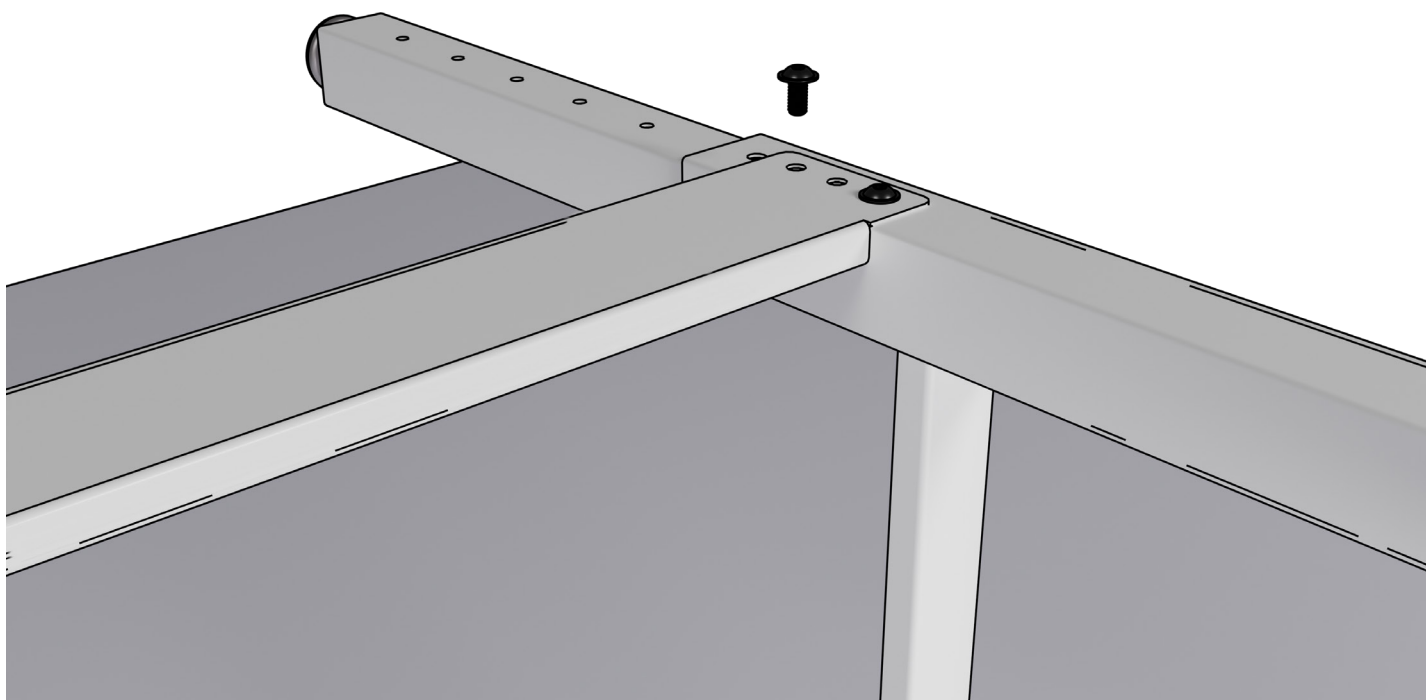


7. Slide the Leg inserts into the Front Leg of the Frame and attach using **(D)** Flanged Cap Screws (2 screws per insert). Assure the insert holes are aligned with the frame holes, facing upwards.

Make sure to install each leg insert equally to ensure the table is level upon completion.



8. When installing the Leg Inserts in the rear, the Lower Rear Rail is attached at the same time using (D) Flanged Cap Screws (2 screws per Insert).



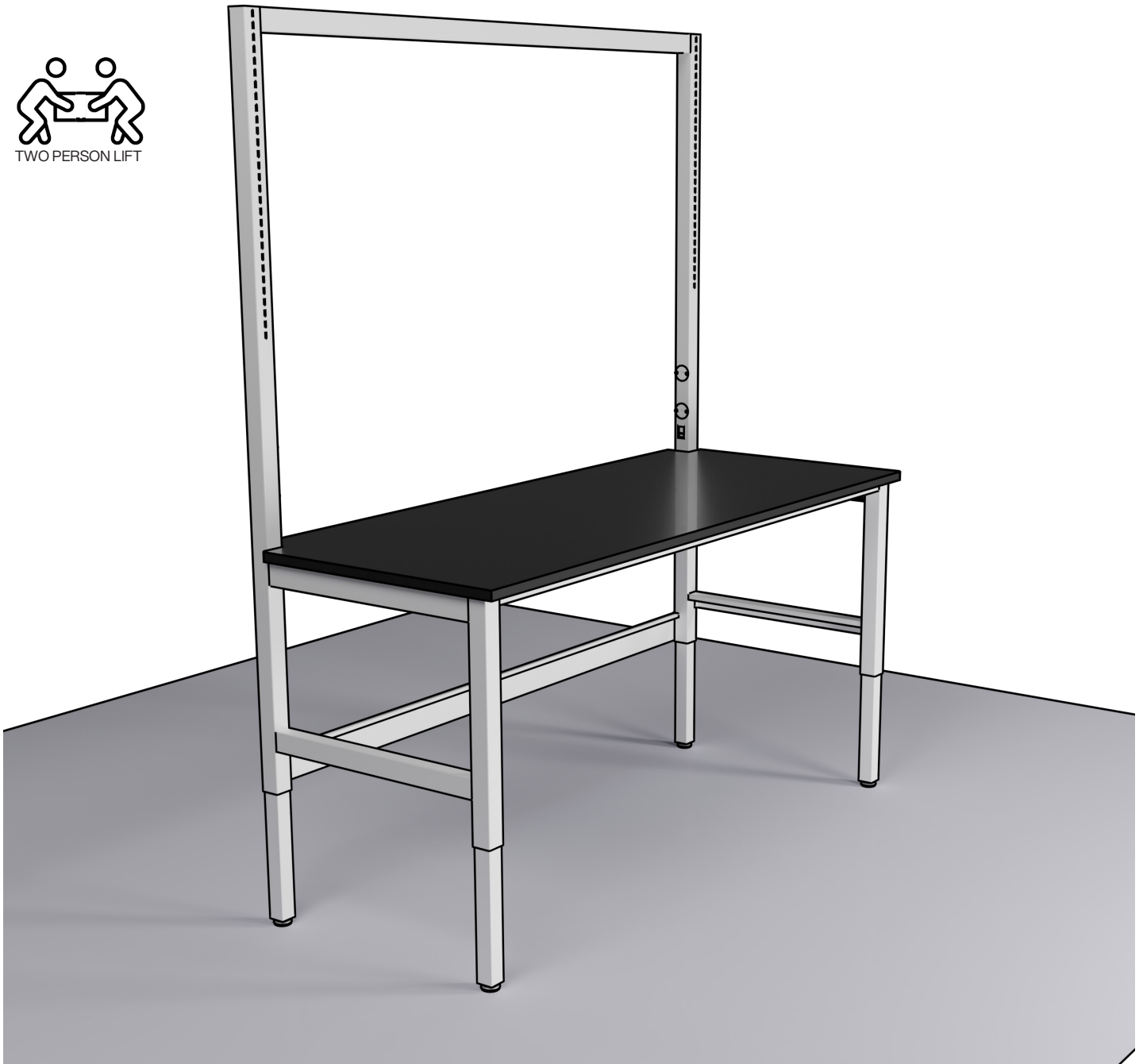
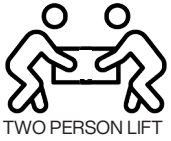
9. After installing the Leg Inserts, flip the bench upright, and use the Leveling Glides or Stabilizing Casters to level the table.



Assembly of the BasikBench is now Complete!  
All other items are accessories and ordered separately.

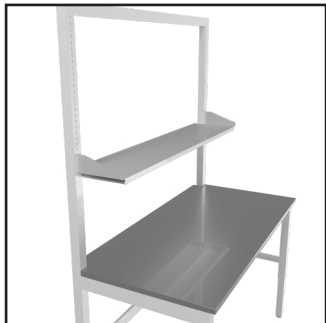
## Attaching Kemresin® Worktop \*sold separately\*

1. Using two people, place worktop on the bench.
2. Secure Worktop to bench using a continuous bead of silicone around the perimeter underside of the worktop. (Worktop ordered and shipped separately)

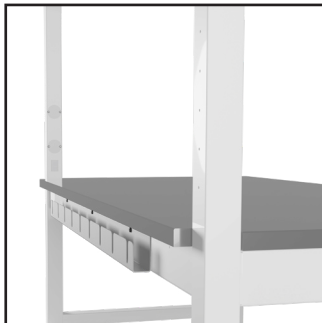


**Accessories \*sold separately\***

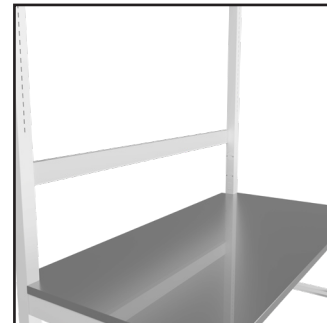
**UPPER SHELF**



**CABLE MANAGEMENT**



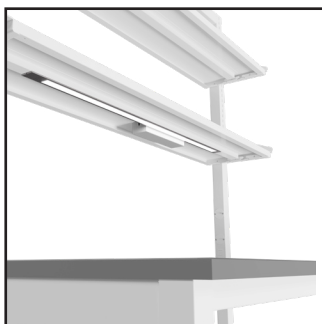
**POWER STRIP MOUNTING RAIL**



**HANGING RAIL FOR  
SUSPENDED CABINET**



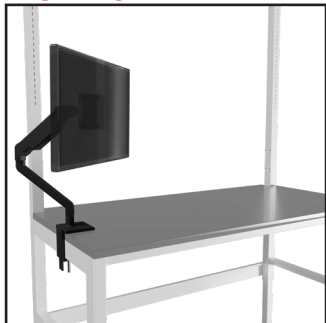
**LED TASK LIGHTING**



**LOWER SHELF**



**MONITOR ARM**



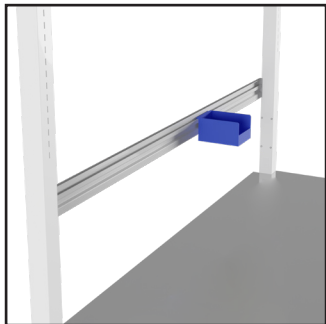
**GLIDES AND CASTERS**



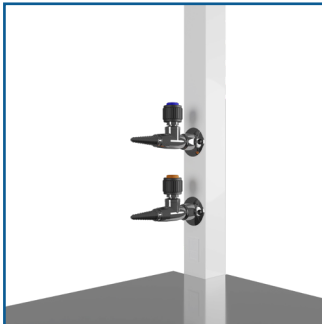
**CPU HOLDER**



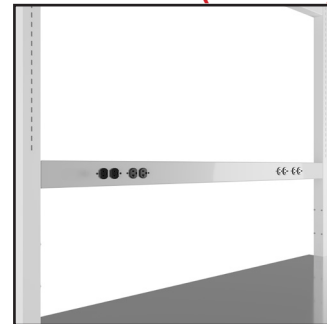
**BIN RAIL**



**FIXTURES**



**POWER BAR (20 AMP)**



P.O. Box 1842 • Statesville, NC 28687-1842  
Phone: (704) 873-7202  
kscmarketing@kewaunee.com  
www.kewaunee.com