

Supreme Air Fume Hood

Four – Five – Six Foot **H36**

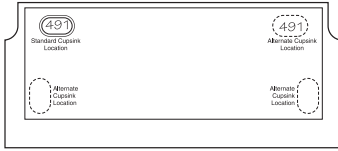
Distillation Hood with Vertical Rising Sash

Plan of Work Top

Indicate cutouts required by noting cupsink part number or size and/or hole type and size at desired location:

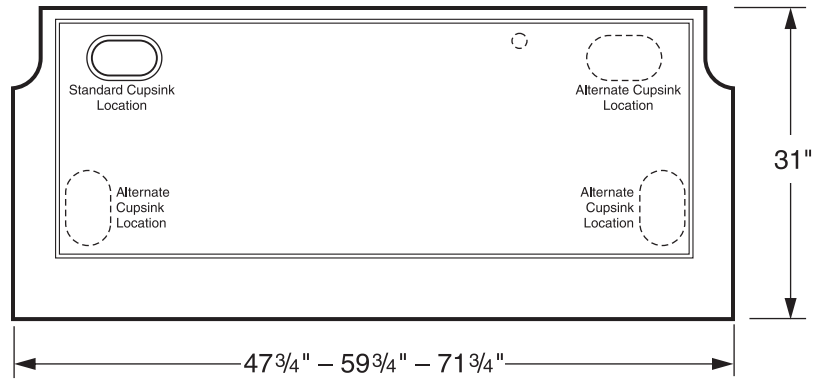
Example:

The example below calls for two 491 cupsink cutouts in the rear.



For sink or steambath cutout: Sketch in size and location required.

If no cutout is marked, work top will ship with 3"x6" cupsink cutout in left rear corner. If no cutout is required, cross out standard cupsink location. (Cupsink is welded in stainless steel work tops.)



Work Top Material

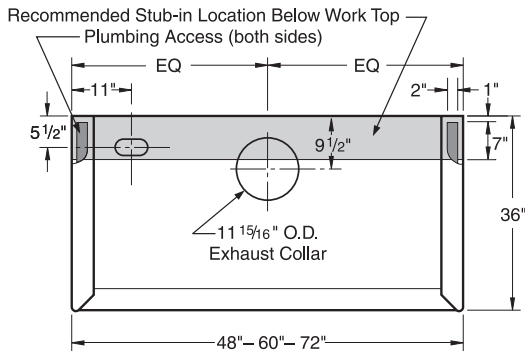
- Black Kemresin
- Type 304 Stainless Steel

Overall Hood Length	Sash Opening			Total CFM and Static Pressure					
	Width	Height	Total Ft. ² *	80 FPM	S.P.	100 FPM	S.P.	120 FPM	S.P.
4'-0" / 48"	40"	35.75"	11.6	930	0.30"	1160	0.45"	1400	0.65"
5'-0" / 60"	52"	35.75"	15.1	1210	0.40"	1510	0.60"	1820	0.90"
6'-0" / 72"	64"	35.75"	18.6	1490	0.55"	1860	0.85"	2240	1.20"
8'-0" / 96"	88"	35.75"	25.5	2040	0.35"	2550	0.50"	3060	0.70"

* Includes lower sash opening and 1" opening below deflector vane.

- CFM requirements shown above are for **Open By-Pass** hoods. The CFM requirements for a **Restricted By-Pass** hood with the sash fully open is the same as above. The by-pass opening with the sash closed is 20% of that with the sash fully open.
- Static pressures shown are for the pressure drop through the hoods only. The total pressure drop through the hood and the duct system must be calculated to select the proper exhaust fan.

Rough-In for 4' – 5' – 6' Hoods



Vertical Section

