

Supreme Air Fume Hood

Four – Five – Six Foot **H32**

Walk-In Hood with Combination Vertical Rising/Horizontal Sash

(indicate fittings/fixtures required)

(indicate fittings/fixtures required)

Light Switch

Plugged

Plugged [Air]

Plugged [Gas]

Plugged [Cold Water]

Plugged [Vacuum]

120VAC GFI Duplex

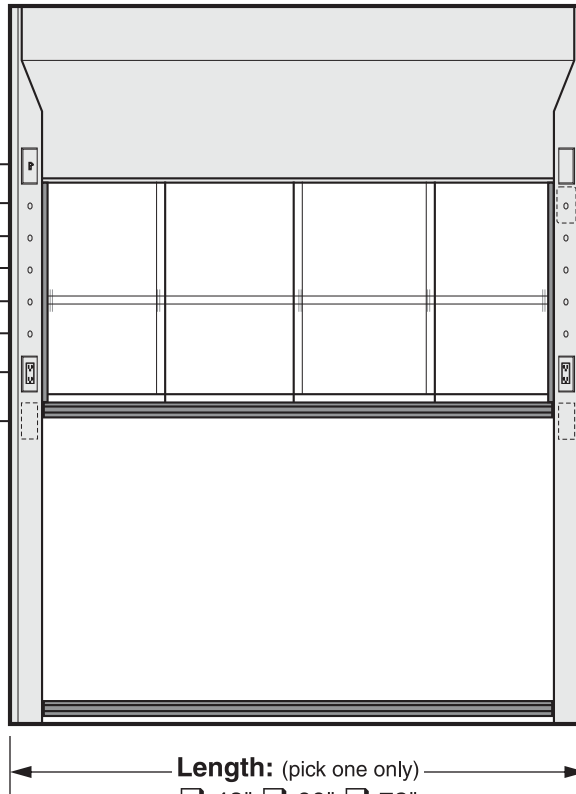
[Option F/S]

Liner Option: (pick one only)

- K** KMER
- G** Kemglass
- S** Type 304 St. Steel
- T** Phenolic Resin

Pre-piping: (pick one if required)

- Pre-pipe Up
- Pre-pipe Down



Length: (pick one only)

- 48"
- 60"
- 72"

[Alarm Location 2] **Blank Face Plate**

[Alarm Location 1] Plugged

[Air] Plugged

[Gas] Plugged

[Cold Water] Plugged

[Vacuum] Plugged

120VAC GFI Duplex

[Option F/R]

By-Pass Option: (pick one only)

- B** Restricted By-Pass
(restricted to 30% of maximum face opening with sash down.)
- Open By-Pass
(not recommended)

(Open By-Pass Hood is furnished with louvered top front panel)

Add On Options: (indicate options required)

<p>Interior Baffle Arrangement Options: (pick one only)</p> <p>Standard Fixed Baffle</p> <ul style="list-style-type: none"> <input type="checkbox"/> A Adjustable Baffle <input type="checkbox"/> C Single-Point Adjustable Baffles <p>Distillation Rack Option: (pick if required)</p> <ul style="list-style-type: none"> <input type="checkbox"/> D Distillation Rack <p>Fire Extinguisher Option: (pick if required)</p> <ul style="list-style-type: none"> <input type="checkbox"/> E Fire Extinguisher <p>Electric and Plumbing Options: (pick all required)</p> <ul style="list-style-type: none"> <input type="checkbox"/> F Two Additional G.F.I. Receptacles 120VAC <input type="checkbox"/> G Front Load Fittings <input type="checkbox"/> H Pre-Wired to Top of Hood <input type="checkbox"/> S Additional GFI Duplex on Left Post <input type="checkbox"/> R Additional GFI Duplex on Right Post <p>Safety Shield Option: (pick if required)</p> <p>n/a Safety Shield</p> <p>Interior Lighting Options: (pick one only)</p> <p>Standard Fluorescent Light (T-5 Ballast)</p> <ul style="list-style-type: none"> <input type="checkbox"/> J Fluorescent Light (T-8 Ballast) <input type="checkbox"/> K Vapor Proof Light (Incandescent) <input type="checkbox"/> L Explosion Proof Light (Incandescent) 	<p>Sash Handle Options: (pick one only)</p> <p>Standard Painted Metal Sash Handle</p> <p>n/a Stainless Steel Sash Handle</p> <p>Top Front Panel Options: (pick one only)</p> <ul style="list-style-type: none"> <input type="checkbox"/> T Chevron Grille (Open By-Pass Only) <input type="checkbox"/> V Vision Panel <p>Fume Hood Alarm Options: (pick one if required)</p> <ul style="list-style-type: none"> <input type="checkbox"/> W Air Alert 300 Alarm (location 1) <input type="checkbox"/> Z Air Alert 300 Alarm (location 2) <input type="checkbox"/> M Air Alert 600 Alarm (location 1) <p>Sash Frame and Glass Options: (pick one only)</p> <p>n/a Frameless Laminated Safety Glass Sash</p> <p>n/a Frameless Tempered Glass Sash</p> <p>Standard Framed Laminated Safety Glass Sash</p> <ul style="list-style-type: none"> <input type="checkbox"/> 3 Framed Tempered Glass Sash <input type="checkbox"/> 4 Stainless Steel Safety Glass Sash <input type="checkbox"/> 5 Stainless Steel Tempered Glass Sash <p>Miscellaneous Options: (pick all required)</p> <ul style="list-style-type: none"> <input type="checkbox"/> 6 Tissue Screen <input type="checkbox"/> 7 Stainless Steel Duct Collar <input type="checkbox"/> 8 Gravity Sash Stop @ 16" above bottom sash <input type="checkbox"/> 9 Work Shelf Supports
---	--

<p>LINER LENGTH BY-PASS ADD-ON OPTIONS</p> <p>H32 <input type="checkbox"/> 90 <input type="checkbox"/> <input type="checkbox"/> <input type="checkbox"/> 00 _____</p>	<p>COLOR</p>	<p>ITEM NO.</p>
<p>PROJECT NAME:</p>		<p>QUANTITY</p>

Supreme Air Fume Hood

Walk-In Hood with Combination Sash

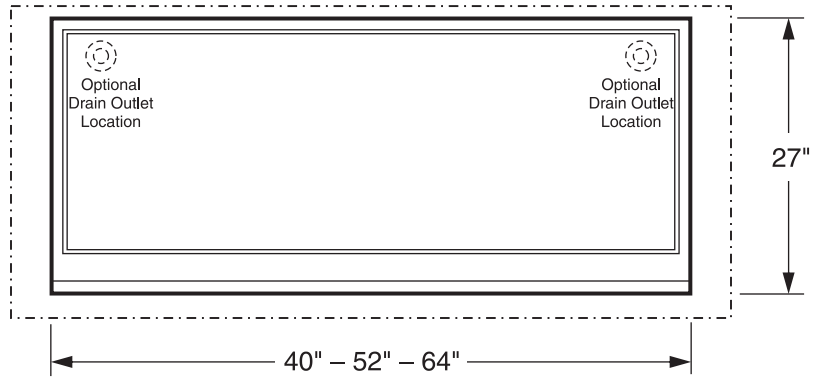
Four – Five – Six Foot **H32**

Plan of Optional Work Floor

Indicate cutouts required by noting hole type and/or size at desired location:

Example:

The example below calls for one 482 sink outlet cutouts in the right rear.



If no cutout is marked, hood floor will ship with no cutout or holes.

Hood Floor Material

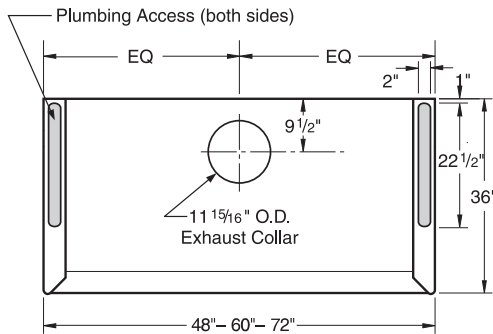
Black Kemresin

Type 304 Stainless Steel

Overall Hood Length	Sash Opening		Single Sash Panel Width	Maximum Sash Opening with Sash Down			Total CFM and Static Pressure					
	Width	Height		Width	Height	Ft. ² *	80 FPM	S.P.	100 FPM	S.P.	120 FPM	S.P.
4'-0" / 48"	40"	28"	10.5"	18"	27"	4.8	380	0.05"	480	0.10"	580	0.15"
5'-0" / 60"	52"	28"	13.5"	24"	27"	6.3	500	0.10"	630	0.15"	760	0.20"
6'-0" / 72"	64"	28"	16.5"	30"	27"	7.8	620	0.10"	780	0.15"	940	0.25"
8'-0" / 96"	88"	28"	22.5"	42"	27"	10.9	870	0.10"	1090	0.10"	1310	0.15"

- * Includes maximum upper sash opening with sash down, By-Pass opening, and 1" opening below lower sash.
- CFM requirements shown above are for **Restricted By-Pass hoods**. Consult your Kewaunee representative for CFM requirements for **Open By-Pass hoods**.
- Static pressures shown are for the pressure drop through the hoods only. The total pressure drop through the hood and the duct system must be calculated to select the proper exhaust fan.

Rough-In for 4' – 5' – 6' Hoods



Vertical Section

