

# Supreme Air Fume Hood

Four – Five – Six Foot **H30**

Walk-In Hood with Vertical Rising Sash

(indicate fittings/fixtures required)

(indicate fittings/fixtures required)

**Light Switch**

Plugged

Plugged [Air]

Plugged [Gas]

Plugged [Cold Water]

Plugged [Vacuum]

120VAC GFI Duplex

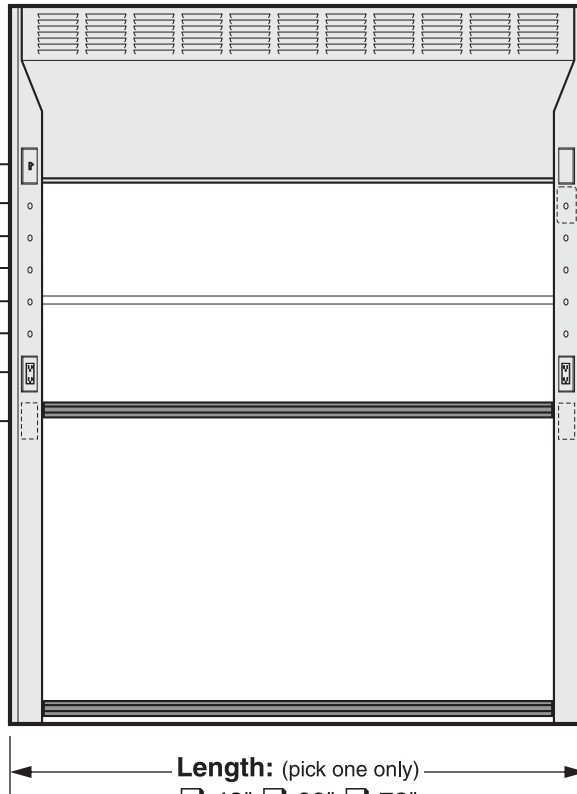
[Option F/S]

**Liner Option:** (pick one only)

- K** KMER
- G** Kemglass
- S** Type 304 St. Steel
- T** Phenolic Resin

**Pre-piping:** (pick one if required)

- Pre-pipe Up
- Pre-pipe Down



**Length:** (pick one only)

- 48"
- 60"
- 72"

[Alarm Location 2] **Blank Face Plate**

[Alarm Location 1] Plugged

[Air] Plugged

[Gas] Plugged

[Cold Water] Plugged

[Vacuum] Plugged

120VAC GFI Duplex

[Option F/R]

**By-Pass Option:** (pick one only)

- Open By-Pass
- B** Restricted By-Pass  
(restricted to 20%  
of face opening)  
(front panel louvers omitted)

**Add On Options:** (indicate options required)

**Interior Baffle Arrangement Options:** (pick one only)

- Standard Fixed Baffle
- A** Adjustable Baffle
- C** Single-Point Adjustable Baffles

**Distillation Rack Option:** (pick if required)

- D** Distillation Rack

**Fire Extinguisher Option:** (pick if required)

- E** Fire Extinguisher

**Electric and Plumbing Options:** (pick all required)

- F** Two Additional G.F.I. Receptacles 120VAC
- G** Front Load Fittings
- H** Pre-Wired to Top of Hood
- S** Additional GFI Duplex on Left Post
- R** Additional GFI Duplex on Right Post

**Safety Shield Option:** (pick if required)

- n/a Safety Shield

**Interior Lighting Options:** (pick one only)

- Standard Fluorescent Light (T-5 Ballast)
- J** Fluorescent Light (T-8 Ballast)
- K** Vapor Proof Light (Incandescent)
- L** Explosion Proof Light (Incandescent)

**Sash Handle Options:** (pick one only)

- Standard Painted Metal Sash Handle
- Q** Stainless Steel Sash Handle

**Top Front Panel Options:** (pick one only)

- T** Chevron Grille (Open By-Pass Only)
- V** Vision Panel

**Fume Hood Alarm Options:** (pick one if required)

- W** Air Alert 300 Alarm (location 1)
- Z** Air Alert 300 Alarm (location 2)
- M** Air Alert 600 Alarm (location 1)

**Sash Frame and Glass Options:** (pick one only)

- Standard Frameless Laminated Safety Glass Sash
- 1** Frameless Tempered Glass Sash
- 2** Framed Laminated Safety Glass Sash
- 3** Framed Tempered Glass Sash
- 4** Stainless Steel Safety Glass Sash
- 5** Stainless Steel Tempered Glass Sash

**Miscellaneous Options:** (pick all required)

- 6** Tissue Screen
- 7** Stainless Steel Duct Collar
- 8** Gravity Sash Stop @ 17" above bottom sash
- 9** Work Shelf Supports

|   |   |  |
|---|---|--|
| <p style="font-size: small; margin: 0;">LINER    LENGTH    BY-PASS    ADD-ON OPTIONS</p> <p style="font-size: large; margin: 0;"><b>H30</b> <input type="checkbox"/> <b>90</b> <input type="checkbox"/> <input type="checkbox"/> <input type="checkbox"/> <b>00</b> _____</p> | <p style="font-size: small; margin: 0;">COLOR</p> | <p style="font-size: small; margin: 0;">ITEM NO.</p> |
| <p style="font-size: small; margin: 0;">PROJECT NAME:</p>   |   | <p style="font-size: small; margin: 0;">QUANTITY</p> |

# Supreme Air Fume Hood

Walk-In Hood with Vertical Rising Sash

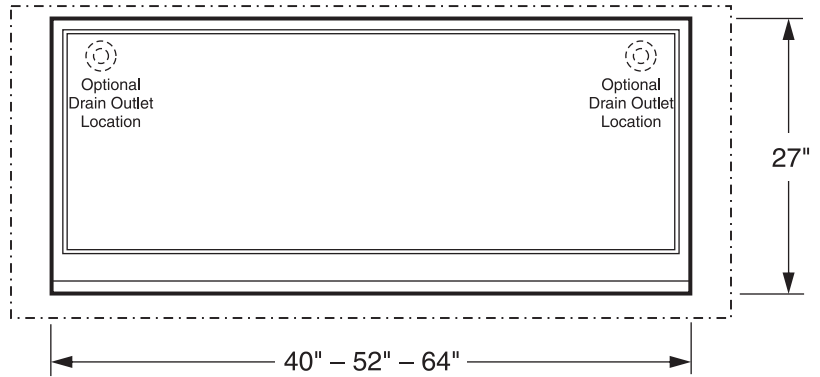
Four – Five – Six Foot **H30**

## Plan of Optional Work Floor

Indicate cutouts required by noting hole type and/or size at desired location:

**Example:**

The example below calls for one 482 sink outlet cutouts in the right rear.



If no cutout is marked, hood floor will ship with no cutout or holes.

**Hood Floor Material**

Black Kemresin

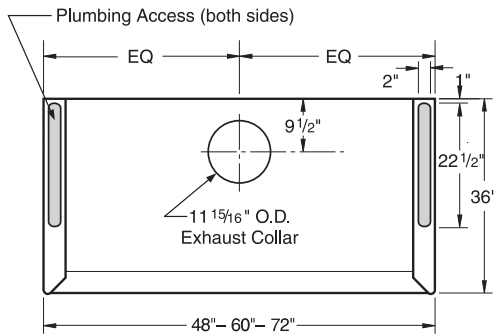
Type 304 Stainless Steel

| Overall Hood Length | Sash Opening |        |                          | Total CFM and Static Pressure |       |         |       |         |       |
|---------------------|--------------|--------|--------------------------|-------------------------------|-------|---------|-------|---------|-------|
|                     | Width        | Height | Total Ft. <sup>2</sup> * | 80 FPM                        | S.P.  | 100 FPM | S.P.  | 120 FPM | S.P.  |
| 4'-0" / 48"         | 40"          | 28"    | 8.1                      | 650                           | 0.15" | 810     | 0.25" | 980     | 0.35" |
| 5'-0" / 60"         | 52"          | 28"    | 10.5                     | 840                           | 0.20" | 1050    | 0.30" | 1260    | 0.45" |
| 6'-0" / 72"         | 64"          | 28"    | 12.9                     | 1040                          | 0.25" | 1290    | 0.40" | 1550    | 0.60" |
| 8'-0" / 96"         | 88"          | 28"    | 17.7                     | 1420                          | 0.15" | 1770    | 0.25" | 2130    | 0.35" |

\* Includes 1" opening below lower sash..

- CFM requirements shown above are for **Open By-Pass** hoods. The CFM requirements for a **Restricted By-Pass** hood with the sash fully open is the same as above. The by-pass opening with the sash closed is 20% of that with the sash fully open.
- Static pressures shown are for the pressure drop through the hoods only. The total pressure drop through the hood and the duct system must be calculated to select the proper exhaust fan.

### Rough-In for 4' – 5' – 6' Hoods



### Vertical Section

