

## Supreme Air Fume Hood

Perchloric Acid Bench Hood with Vertical Rising Sash

(indicate electric fixtures required)

(indicate electric fixtures required)

Light Switch

Wash Down  
(front load fitting)

Cold Water  
(front load fitting)

[Option F/S]

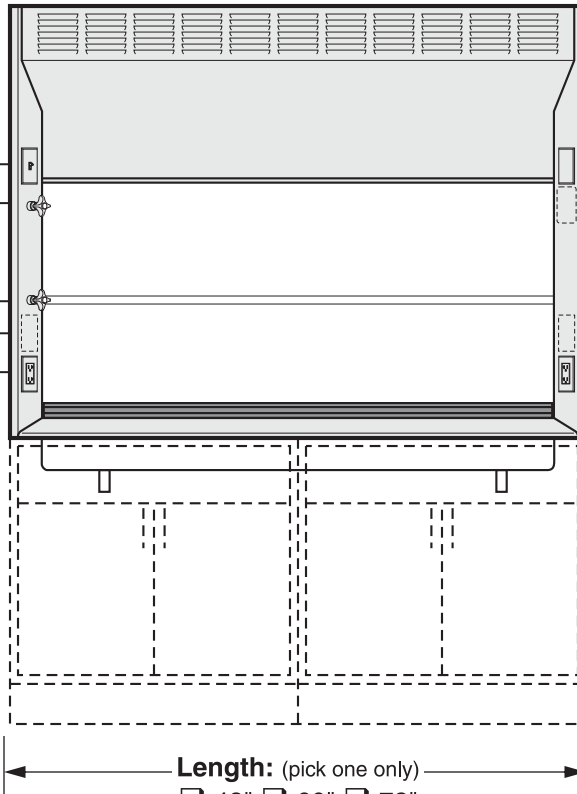
120VAC GFI Duplex

**Liner Option:**

Type 316 St. Steel

**Pre-piping:** (pick one if required)

Pre-pipe Up  
 Pre-pipe Down



[Alarm Location 2] Blank Face Plate

[Alarm Location 1]

[Option F/R]

120VAC GFI Duplex

**By-Pass Option:**

Open By-Pass

Length: (pick one only)

48"  60"  72"

**Add On Options:** (indicate options required)

**Interior Baffle Arrangement Options:** (pick one only)

- Standard Fixed Baffle
- A Adjustable Baffle

**Electric and Plumbing Options:** (pick all required)

- F Two Additional G.F.I. Receptacles 120VAC
- Standard Front Load Fittings
- H Pre-Wired to Top of Hood
- S Additional GFI Duplex on Left Post
- R Additional GFI Duplex on Right Post

**Safety Shield Option:** (pick if required)

- I Safety Shield

**Interior Lighting Options:** (pick one only)

- n/a Fluorescent Light (T-5 Ballast)
- n/a Fluorescent Light (T-8 Ballast)
- Standard Vapor Proof Light (Incandescent)
- L Explosion Proof Light (Incandescent)

**Lower Deflector Vane Options:** (pick one only)

- Standard Painted Lower Deflector Vane
- O Stainless Steel Deflector Vane

**Sash Handle Options:** (pick one only)

- Standard Painted Metal Sash Handle
- Q Stainless Steel Sash Handle

**Top Front Panel Options:** (pick one only)

- T Chevron Grille
- V Vision Panel

**Fume Hood Alarm Options:** (pick one if required)

- W Air Alert 300 Alarm (location 1)
- Z Air Alert 300 Alarm (location 2)
- M Air Alert 600 Alarm (location 1)

**Sash Frame and Glass Options:** (pick one only)

- Standard Frameless Laminated Safety Glass Sash
- 1 Frameless Tempered Glass Sash
- 2 Framed Laminated Safety Glass Sash
- 3 Framed Tempered Glass Sash
- 4 Stainless Steel Safety Glass Sash
- 5 Stainless Steel Tempered Glass Sash

**Miscellaneous Options:** (pick all required)

- 6 Tissue Screen
- Standard Stainless Steel Duct Collar
- 8 Gravity Sash Stop @ 17" above deflector vane

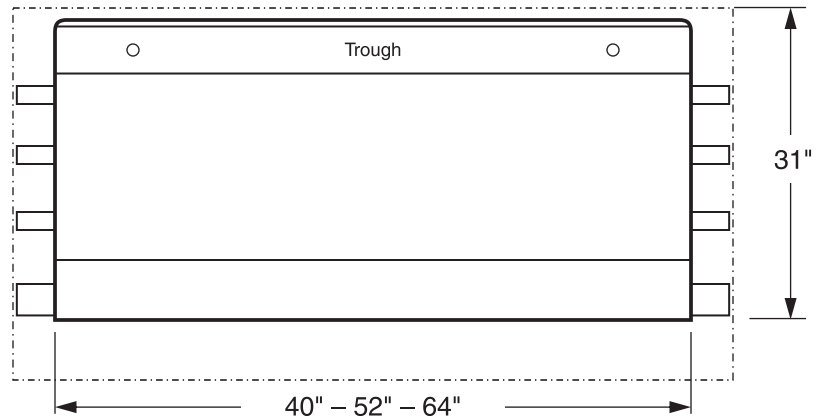
LINER	LENGTH	BY-PASS	ADD-ON OPTIONS	COLOR		ITEM NO.
<b>H25L54</b>	<input type="checkbox"/>	<input type="checkbox"/>	<b>- 00</b>			
PROJECT NAME:						QUANTITY

# Supreme Air Fume Hood

Perchloric Acid Bench Hood with Vertical Rising Sash

# H25

## Plan of Integral Work Top

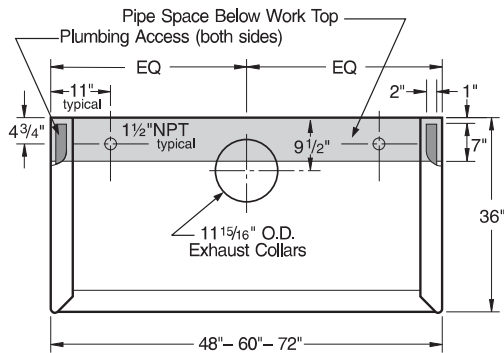


**Work Top Material**  
Type 316 Stainless Steel

Overall Hood Length	Sash Opening			Total CFM and Static Pressure					
	Width	Height	Total Ft. <sup>2</sup> *	80 FPM	S.P.	100 FPM	S.P.	120 FPM	S.P.
4'-0" / 48"	40"	28"	8.1	not recommended		not recommended		980	0.35"
5'-0" / 60"	52"	28"	10.5	not recommended		not recommended		1260	0.45"
6'-0" / 72"	64"	28"	12.9	not recommended		not recommended		1550	0.60"

- \* Includes 1" opening below deflector vane.
- Static pressures shown are for the pressure drop through the hoods only. The total pressure drop through the hood and the duct system must be calculated to select the proper exhaust fan.

### Rough-In for 4' - 5' - 6' Hoods



### Vertical Section

