

# Installation Instructions

---

# Supreme Air

# TruView<sup>®</sup> Hood

# T90

S T Y L E

# Teaching Hoods

48" - 60" - 72" long

# TruView® Teaching Hood

## Packing List

### On Pallet Fume Hood

(Note: Double-sided TruView hoods are shipped in two halves.)

Sash Weight Box  
Hardware Package

### Hardware Package

(10) Nylon Screw Caps (EXTRAS)  
(10) 3/4" Plastic Plug Buttons (2 EXTRAS)

**NOTICE** Fume Hood Worksurface is packaged separately.

## Preparation

1. Place, level, and install the **Base Unit Assembly** that will support the **Fume Hood**.
2. Attach the **Fume Hood Worksurface** to the **Base Unit Assembly** at the corners using epoxy cement or similar adhesive.

**NOTICE** Worksurface should be centered on units and be 1" off the wall for single sided units. For double sided units the two work surfaces should touch each other and the joint should be sealed with epoxy cement or silicon sealant. Worksurface must be level. Shim beneath as needed.

3. Uncrate **Fume Hood** taking care to sort and inventory all parts.
4. Remove **Rear End Panels** and remove screws holding **Fume Hood** and **Weight Box** to pallet.  
(Save End Panel screws to reattach End Panel later.)
5. Pull hood forward to disengage the **Lower Deflector Vane** from the blocking.
6. Remove all packing from **Fume Hood** and any tape holding parts in place for shipping.

**NOTICE** Fume Hood is packed fully assembled except for Weight Box. The Lower Deflector Vane may be removed to fit through narrow doorways and/or for easier access.

**NOTICE** Generally electrical fixtures and plumbing fittings are shipped installed, but may be shipped loose depending on job requirements. Light may also be pre-wired.

## Installation

7. Check that **Sash Cables** are properly routed over front pulleys, around rear pulleys, and through the **Sash Adjustment** pulleys.
8. Attach **Weight Box** to cables using one (1) 1/4" -20 x 3/4" R.H. Bolt, Nylock Nut, and two (2) Flat Washers (bolt, nut, and washer shipped attached to cable ends).
9. Loosen **Sash Adjustment** pulley bolts and slide pulleys as needed to level sash. Re-tighten when adjusted.

**CAUTION** Handle Frameless Sash with care - Laminated Safety Glass will crack if abused.

10. Using as many workers as needed, lift assembled **Fume Hood** and place on leveled **Worksurface**. Before pushing back make sure to loosen Lower Deflector Vane, if not already done so. Make sure hood is pushed back as far as possible and centered on **Base Unit Assembly**. Check **Hood Side Panels** for plumb and square.
11. Check that **Lower Deflector Vane** is straight and level and tighten fasteners. For double-sided hoods, screw the two frames together.
12. Coordinate connections of service fittings, electrical fixtures, and ductwork with the respective trades (i.e. mechanical, electrical, HVAC). After connections are complete, the **Rear End Panels**. Cover screw holes in **Rear End Panels** with 3/4" **Plastic Plug Buttons**.
13. Check **Sash** again for level and smooth movement. Adjust as needed.

To level, loosen pulley screws on **Sash Adjustment** mechanism and slide pulleys as necessary.

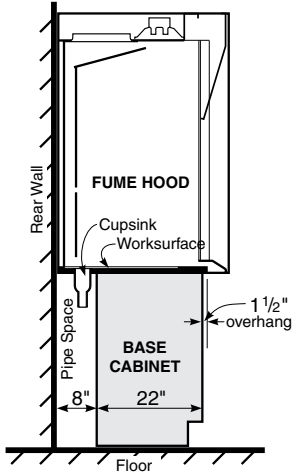
To adjust **Sash** side-to-side, loosen screws on back of **Sash Handle** and slide the **Cable Connectors** as needed.

**CAUTION** When adjusting side-to-side, make sure sash edges clear the front pulleys.

14. Inspect the complete installation, remove any dust, dirt, or other debris. Assure that other trades (electrical, Plumbing, HVAC, VAV Control, etc.) have not added any friction to the sash system. Check all moving parts for proper operation, and adjust or lubricate as necessary.
15. Install and maintain ducting, dampers, blowers and exhaust stacks in accordance with applicable mechanical codes.
16. Maintain hood in accordance with Kewaunee's *Supreme Air Series Fume Hoods Operation and Maintenance Procedures*, available at [www.kewaunee.com](http://www.kewaunee.com).

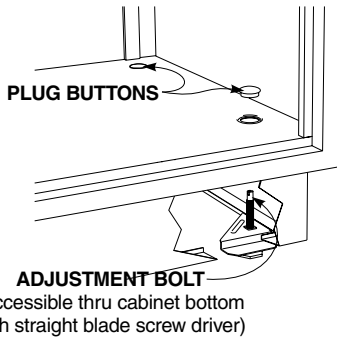
# Base Unit Assembly

## for Bench Type Fume Hoods



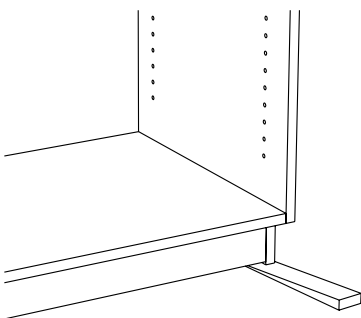
### Detail 1

*Fume Hood Base Cabinet Location*



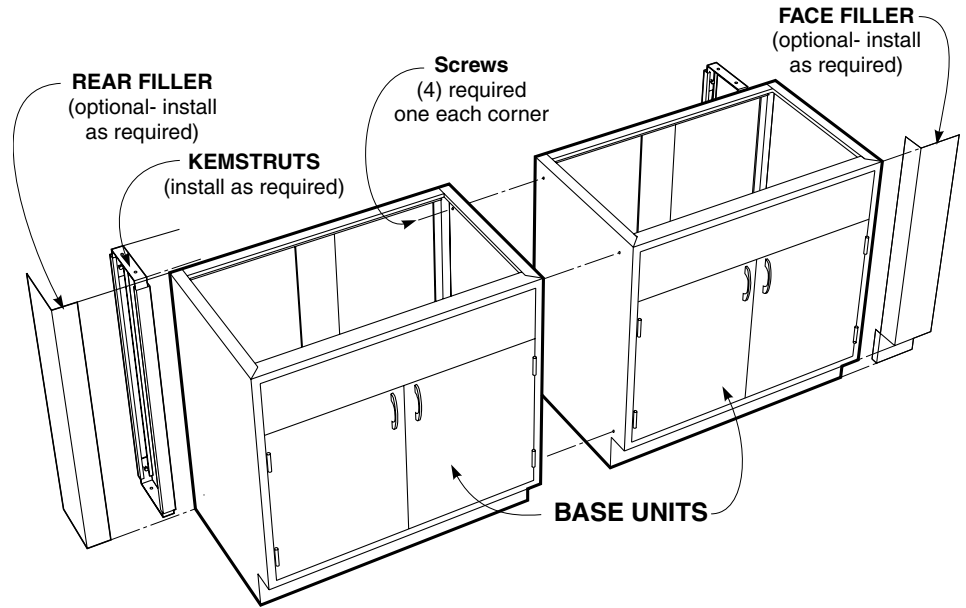
### Detail 2S

*Steel base cabinets are leveled using the adjustment bolts located in the cabinet base.*



### Detail 2W

*Wood base cabinets are leveled using wooden shims, available at any lumber yard or home center.*



## Preparation

1. Locate and mark hood and base cabinet locations making sure area is clear of obstructions and debris. Be sure all conduit, duct work and service lines have been run and are ready for final connections.

**NOTICE** Kemstruts and other pipe or worksurface supports should be installed before the base cabinets are moved into place.

2. Locate the high point of the floor within the area that the base cabinets will be installed.

## Installation

3. Starting with the base cabinet on the highest point on the floor, move the first cabinet into location as shown in Detail 1 and according to project drawings.
4. Using a four foot carpenters level, level the cabinet; side-to-side, front-to-back, and diagonally. (see Detail 2S and 2W to the left for leveling methods)

**NOTICE** Blocks or cleats may be used to fasten cabinets to floor or walls to insure cabinets don't move during installation.

5. Move the next cabinet into position and clamp it to the first cabinet, making sure that the cabinet faces and tops are flush.
6. Level the cabinet, as in step 4.
7. Using four (4) screws, as listed below, fasten the two cabinets together at all four corners of the end panels.  
Use #8 x 1-1/4" Flat Head screws for wood cabinets.  
Use #8 x 1/2" Truss Head Sheet Metal screws for steel cabinets.  
(pilot holes must be drilled in the steel cabinets before driving screws)

8. Complete hood installation and all mechanical connections before installing any required fillers or scribes.

**NOTICE** It is recommended that the polyethylene liner be removed from Acid Storage cabinets during installation to allow fastening to adjacent cabinets and ease plumbing connections. Be sure to replace when installation is complete.

---

# TruView<sup>®</sup> Teaching Hood

## NOTES: