

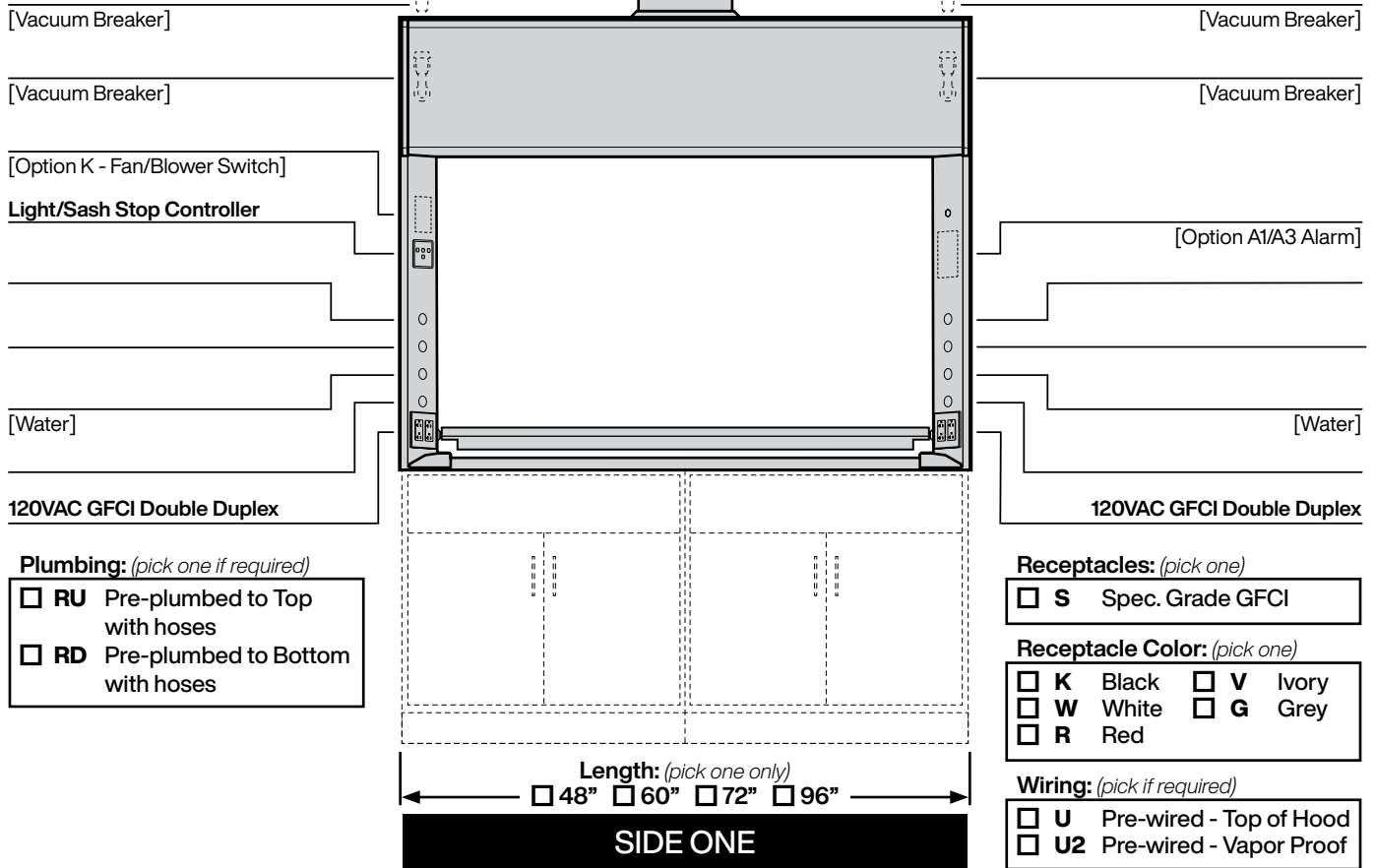
# TruView Venturi Fume Hood

# V55F...

Teaching/Demonstration Bench Hood with Vertical Rising Sash — Double-sided

(indicate fittings/fixtures required)  
(hole plugged if no fitting specified)

(indicate fittings/fixtures required)  
(hole plugged if no fitting specified)



**Required Options: (pick from each group)**

**Rear Window Configuration (pick one)**

- SB** Solid Back Wall & Baffles
- CB** Glass Back Wall & Baffles

**Interior Liner Material (pick one)**

- G** Kemglass (Fiberglass Reinforced Polyester)

**Sash Frame (pick one)**

- N** Frameless
- M** Powder Coated Steel Frame
- S** Type 304L Stainless Steel Frame

**Sash Glass (pick one)**

- G1** Laminated Safety Glass
- G2** Tempered Safety Glass

**Service Fitting Valve Type (pick one)**

- F4** Front Load (Watersaver or FAR)

**Hood Configuration (pick one)**

- SA** Stand Alone (Free standing)
- LE** Left End (Left end of run)
- RE** Right End (Right end of run)
- AD** Add-on (Middle of run)

**V** Modified By-pass for VAV Control System

Controller Manf: \_\_\_\_\_

Model: \_\_\_\_\_ Minimum CFM:

**Add-on Options: (pick all required)**

- N1** Solid Left Window
- N2** Solid Right Window
- N3** Solid L & R Window (Kemglass panel w/frame)  
(pick only one)
- A1** Air Alert 600 Alarm (pick only one)
- A3** Air Alert 300 Alarm (pick only one)
- L** Sash Stop Label
- D** Distillation Rack - Preparation
- T** Tissue Screen
- K** Fan/Blower Switch - (1 hp motor rated)
- O** Stainless Steel Airfoil - Type 304L
- O2** Stainless Steel Airfoil - Type 316L
- Q** Stainless Steel Sash Pulls
- C** Stainless Steel Duct Collar
- R1** Auto Sash Return (pick only one)
- R3** Proximity Sash Operator (pick only one)

Overall Length	Back Config	Hood Sash Liner Frame	Sash Glass	Service Fittings	Electrical Fixtures	Hood Config	Add-on Options (separated by commas)	COLOR	ITEM NO.	QUANTITY
V55F	<input type="checkbox"/>	<input checked="" type="checkbox"/> <b>CB</b>	<input checked="" type="checkbox"/> <b>G</b>	<input type="checkbox"/>	<input type="checkbox"/>	<input type="checkbox"/>	<b>F4</b> , _____, _____, _____			

# TruView Venturi Fume Hood

# V55F...

Teaching/Demonstration Bench Hood with Vertical Rising Sash — Double-sided

(indicate fittings/fixtures required)  
(hole plugged if no fitting specified)

(indicate fittings/fixtures required)  
(hole plugged if no fitting specified)

[Vacuum Breaker]

[Vacuum Breaker]

[Vacuum Breaker]

[Vacuum Breaker]

[Option K - Fan/Blower Switch]

Light/Sash Stop Controller

[Option A1/A3 Alarm]

[Water]

[Water]

120VAC GFCI Double Duplex

120VAC GFCI Double Duplex

Plumbing: (pick one if required)

- RU** Pre-plumbed to Top with hoses
- RD** Pre-plumbed to Bottom with hoses

Receptacles: (pick one)

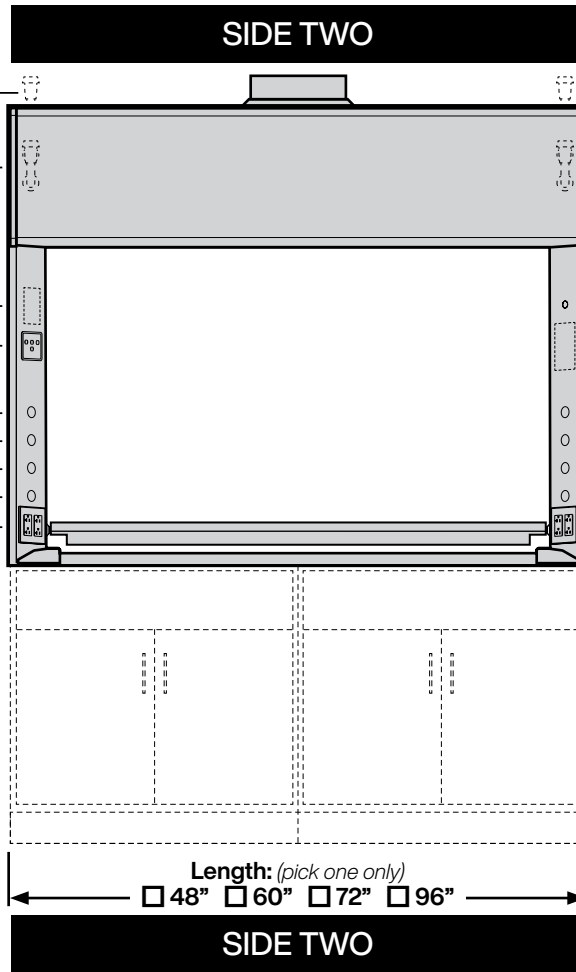
- S** Spec. Grade GFCI

Receptacle Color: (pick one)

- K** Black     **V** Ivory
- W** White     **G** Grey
- R** Red

Wiring: (pick if required)

- U** Pre-wired - Top of Hood
- U2** Pre-wired - Vapor Proof



**See Side One for Part Number & Options**

ITEM NO.

# Technical Information

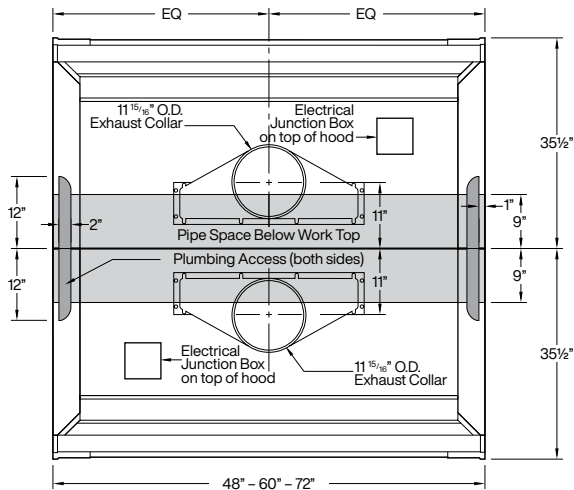
# V55F...

Airflow (CFM) Requirements — (Values in chart are for **ONE SIDE** - Double values for entire superstructure)

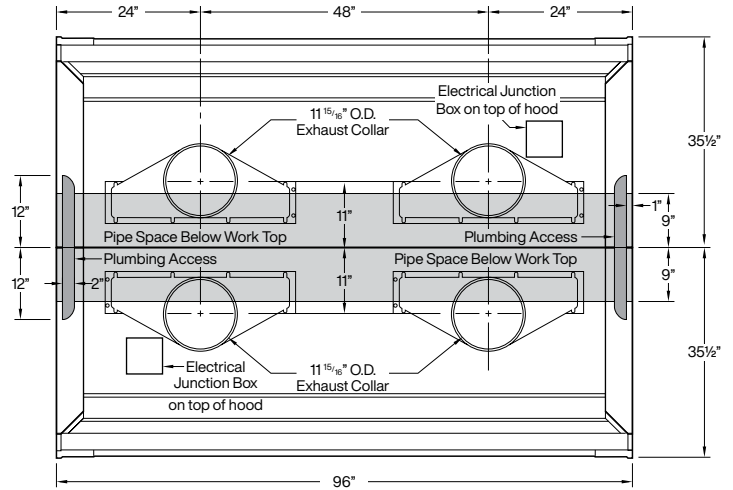
Face Velocity	28" High Sash Opening								18" High Sash Opening							
	4' / 48"		5' / 60"		6' / 72"		8' / 96"		4' / 48"		5' / 60"		6' / 72"		8' / 96"	
	CFM	SP	CFM	SP	CFM	SP	CFM	SP	CFM	SP	CFM	SP	CFM	SP	CFM	SP
100 FPM	772	0.35	1010	0.44	1247	0.55	1722	0.38	502	0.15	656	0.19	810	0.24	1118	0.16
80 FPM	618	0.23	808	0.29	998	0.36	1378	0.25	401	0.10	525	0.13	648	0.16	895	0.11
60 FPM	464	0.13	606	0.16	749	0.21	1034	0.14	301	0.06	394	0.07	486	0.09	671	0.06
50 FPM	386	0.09	506	0.12	624	0.15	861	0.10	251	0.04	328	0.05	405	0.07	559	0.04

Static pressures shown are for the pressure drop through the hoods only. The total pressure drop through the hood and the duct system must be calculated to select the proper exhaust fan.

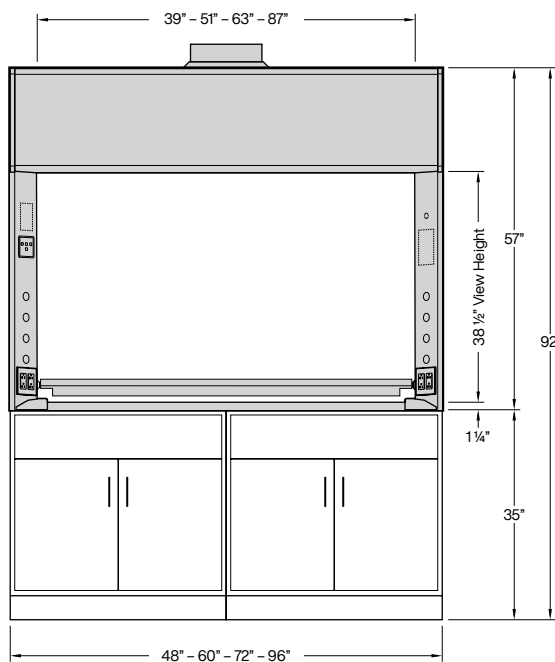
Inside Depth	ANSI Z9.5 Minimum Flow Rate Flow Rate				ANSI Z9.5 Minimum Flow Rate Flow Rate			
	150 Air Changes/Hour				375 Air Changes/Hour			
	4' / 48"	5' / 60"	6' / 72"	8' / 96"	4' / 48"	5' / 60"	6' / 72"	8' / 96"
24" deep	70 CFM	90 CFM	110 CFM	145 CFM	170 CFM	220 CFM	235 CFM	365 CFM



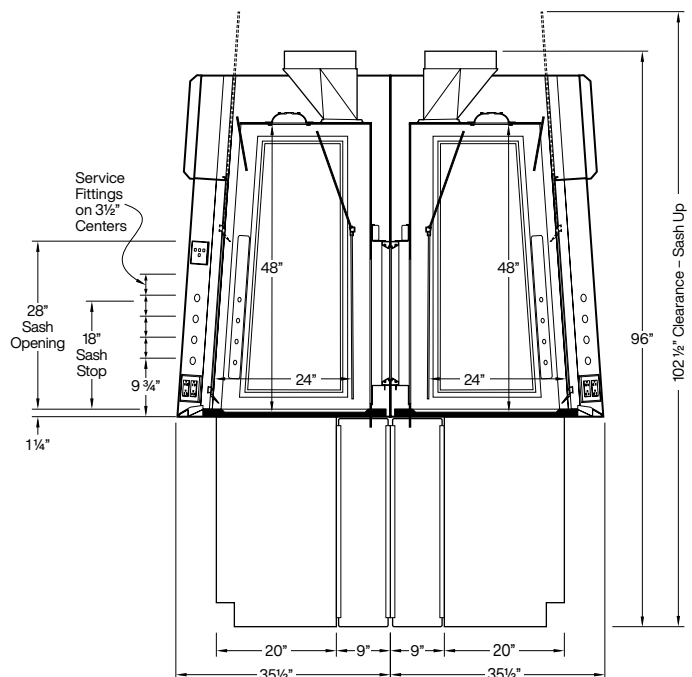
4'-5'-6' Rough-in



8' Rough-in



Elevation



Vertical Section