

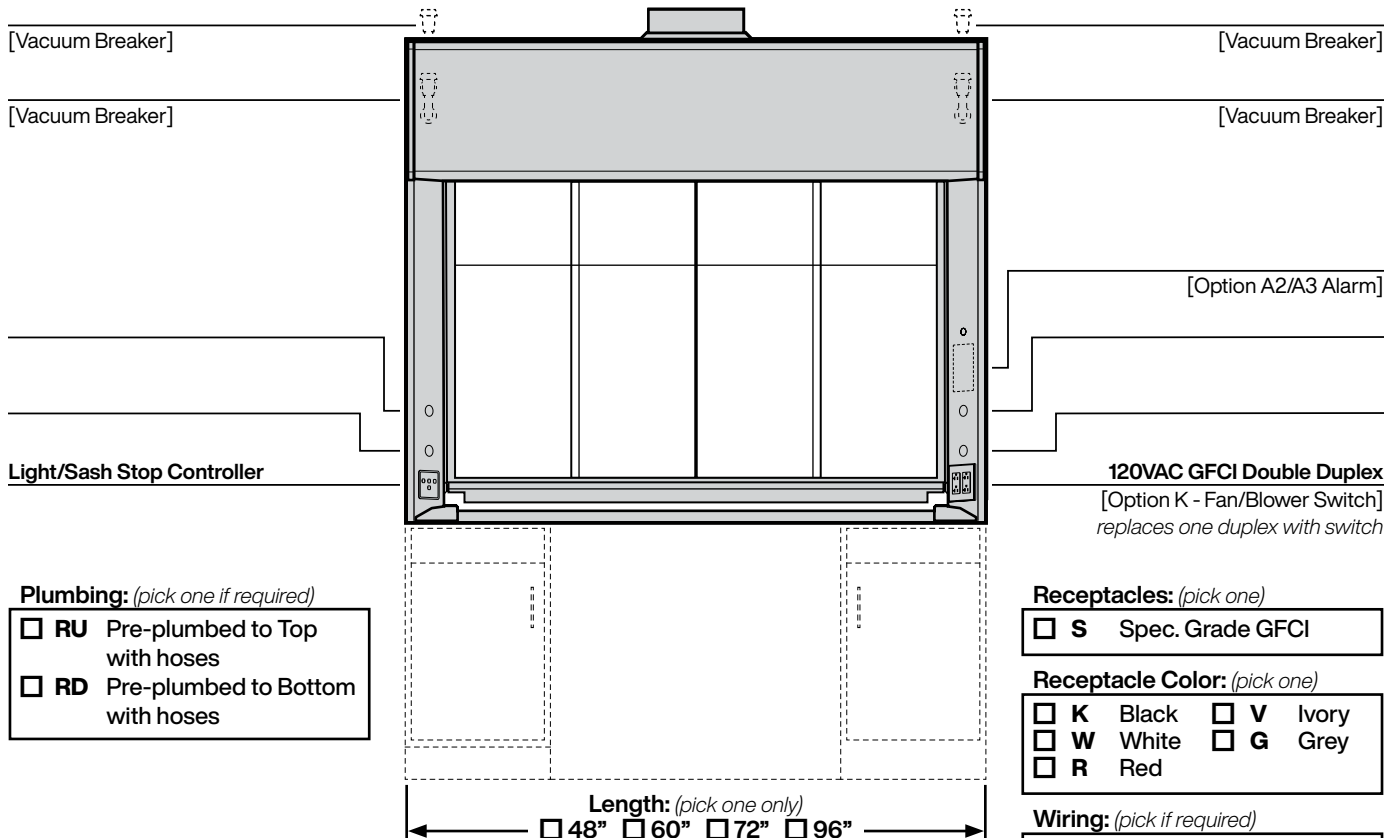
TruView Venturi Fume Hood

V53F...

Teaching/Demonstration ADA Bench Hood with Combination Sash — Single-sided

(indicate fittings/fixtures required)
(hole plugged if no fitting specified)

(indicate fittings/fixtures required)
(hole plugged if no fitting specified)



Required Options: (pick from each group)

- Rear Window Configuration (pick one)**
- SB Solid Back Wall & Baffles
 - CB Glass Back Wall & Baffles
- Interior Liner Material (pick one)**
- G Kemglass (Fiberglass Reinforced Polyester)
- Sash Frame (pick one)**
- M Powder Coated Steel Frame
 - S Type 304L Stainless Steel Frame
- Sash Glass (pick one)**
- G1 Laminated Safety Glass
 - G2 Tempered Safety Glass
- Service Fitting Valve Type (pick one)**
- F4 ADA (FAR)
 - F5 ADA (Watersaver)
- Hood Configuration (pick one)**
- SA Stand Alone (Free standing)
 - LE Left End (Left end of run)
 - RE Right End (Right end of run)
 - AD Add-on (Middle of run)

V Modified By-pass for VAV Control System

Controller Manf: _____

Model: _____ Minimum CFM:

Add-on Options: (pick all required)

- N1 Solid Left Window
- N2 Solid Right Window
- N3 Solid L & R Window (Kemglass panel w/frame)
(pick only one)
- A2 Air Alert 600 Alarm (pick only one)
- A3 Air Alert 300 Alarm (pick only one)
- L Sash Stop Label
- D Distillation Rack - Preparation
- T Tissue Screen
- K Fan/Blower Switch - (1 hp motor rated)
- O Stainless Steel Airfoil - Type 304L
- O2 Stainless Steel Airfoil - Type 316L
- Q Stainless Steel Sash Pulls
- C Stainless Steel Duct Collar
- R1 Auto Sash Return (pick only one)
- R3 Proximity Sash Operator (pick only one)

| Overall Length | Back Config | Hood Liner Frame | Sash Glass | Service Fittings | Electrical Fixtures | Hood Config | Add-on Options (separated by commas) | COLOR | ITEM NO. | QUANTITY |
|----------------|----------------------|----------------------|-------------------------------------|----------------------|----------------------|----------------------|--------------------------------------|-------|----------|----------|
| V53F | <input type="text"/> | <input type="text"/> | <input checked="" type="checkbox"/> | <input type="text"/> | <input type="text"/> | <input type="text"/> | - | | | |

Technical Information

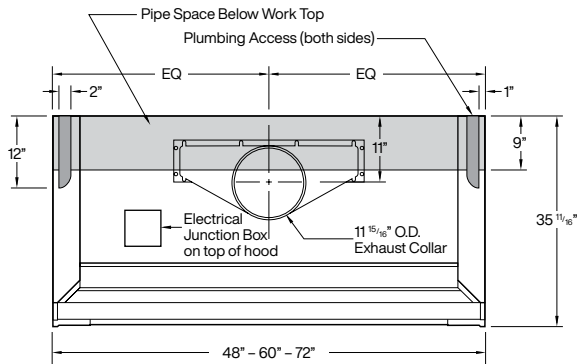
V53F...

Airflow (CFM) Requirements

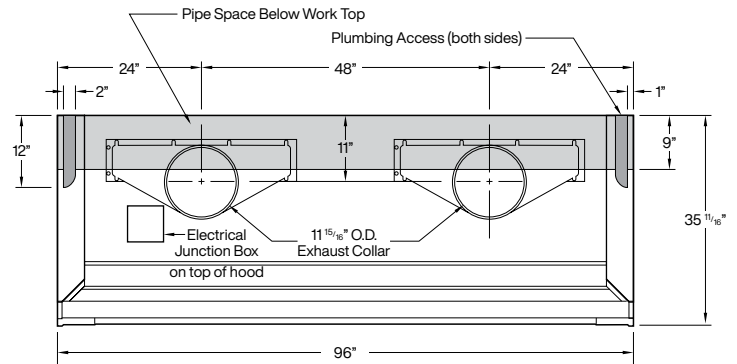
| Face Velocity | 18" High Sash Opening | | | | | | | | Sash Closed - Panels Full Open | | | | | | | |
|---------------|-----------------------|------|----------|------|----------|------|----------|------|--------------------------------|------|----------|------|----------|------|----------|------|
| | 4' / 48" | | 5' / 60" | | 6' / 72" | | 8' / 96" | | 4' / 48" | | 5' / 60" | | 6' / 72" | | 8' / 96" | |
| | CFM | SP | CFM | SP | CFM | SP | CFM | SP | CFM | SP | CFM | SP | CFM | SP | CFM | SP |
| 100 FPM | 502 | 0.15 | 656 | 0.19 | 810 | 0.24 | 1118 | 0.16 | 424 | 0.11 | 567 | 0.14 | 709 | 0.19 | 995 | 0.13 |
| 80 FPM | 401 | 0.10 | 525 | 0.13 | 648 | 0.16 | 895 | 0.11 | 339 | 0.07 | 453 | 0.09 | 568 | 0.12 | 796 | 0.09 |
| 60 FPM | 301 | 0.06 | 394 | 0.07 | 486 | 0.09 | 671 | 0.06 | 254 | 0.04 | 340 | 0.05 | 426 | 0.07 | 597 | 0.05 |
| 50 FPM | 251 | 0.04 | 328 | 0.05 | 405 | 0.07 | 559 | 0.04 | 212 | 0.03 | 284 | 0.04 | 355 | 0.05 | 498 | 0.04 |

Static pressures shown are for the pressure drop through the hoods only. The total pressure drop through the hood and the duct system must be calculated to select the proper exhaust fan.

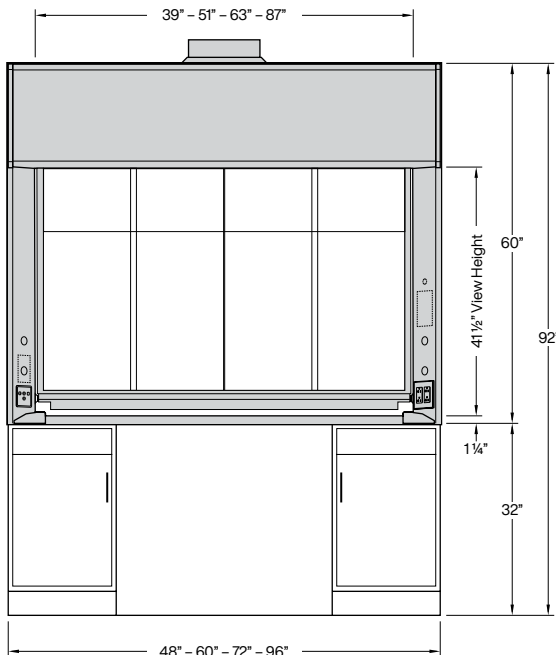
| Inside Depth | ANSI Z9.5 Minimum Flow Rate Flow Rate | | | | ANSI Z9.5 Minimum Flow Rate Flow Rate | | | |
|--------------|---------------------------------------|----------|----------|----------|---------------------------------------|----------|----------|----------|
| | 150 Air Changes/Hour | | | | 375 Air Changes/Hour | | | |
| | 4' / 48" | 5' / 60" | 6' / 72" | 8' / 96" | 4' / 48" | 5' / 60" | 6' / 72" | 8' / 96" |
| 24" deep | 75 CFM | 100 CFM | 120 CFM | 155 CFM | 185 CFM | 235 CFM | 285 CFM | 390 CFM |



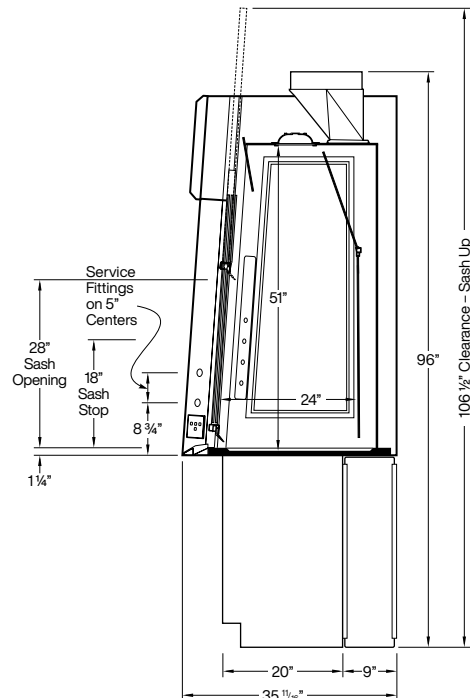
4'-5'-6' Rough-in



8' Rough-in



Elevation



Vertical Section