

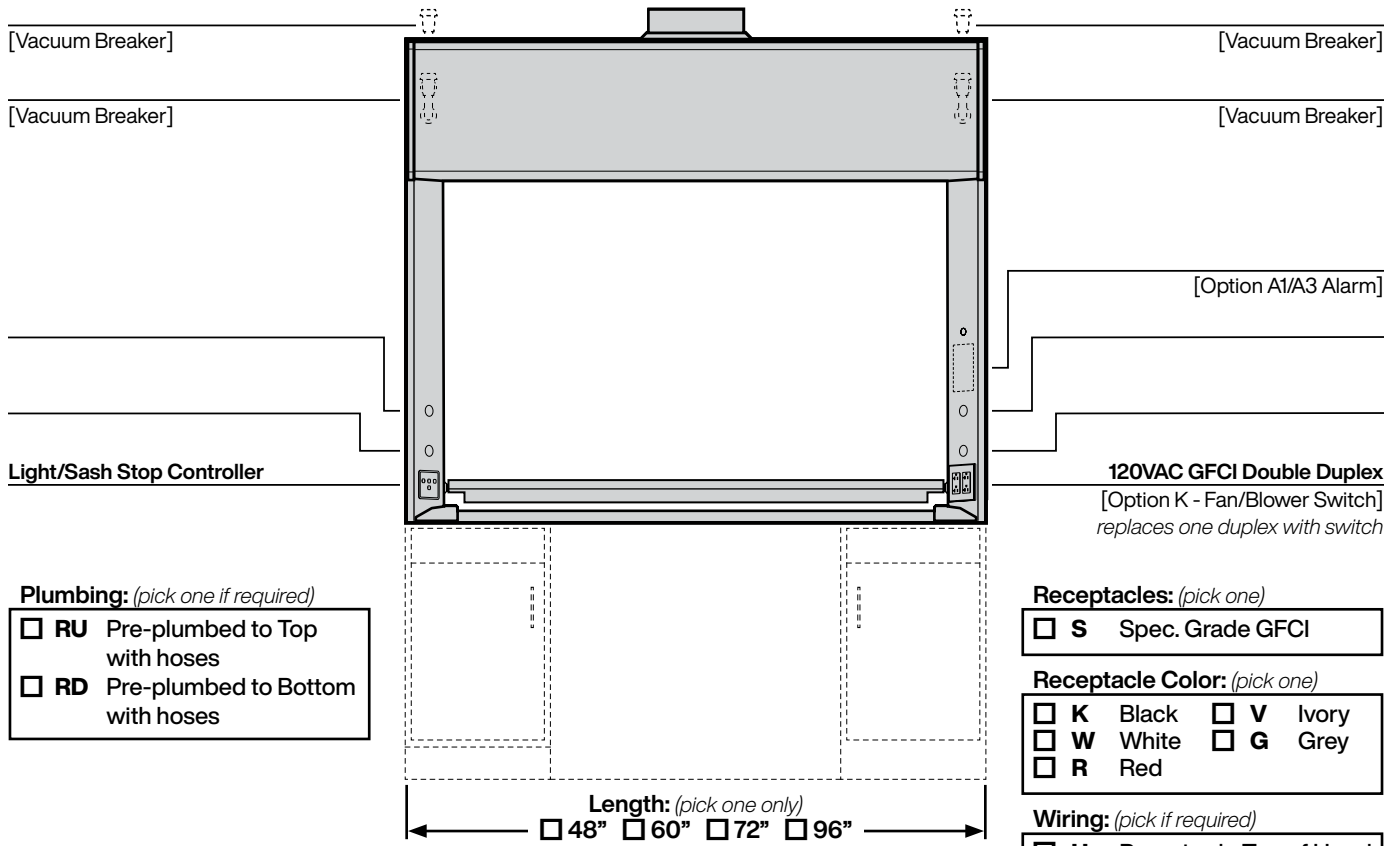
TruView Venturi Fume Hood

V52F...

Teaching/Demonstration ADA Bench Hood with Vertical Rising Sash — Single-sided

(indicate fittings/fixtures required)
(hole plugged if no fitting specified)

(indicate fittings/fixtures required)
(hole plugged if no fitting specified)



Required Options: (pick from each group)

- Rear Window Configuration (pick one)**
- SB Solid Back Wall & Baffles
 - CB Glass Back Wall & Baffles
- Interior Liner Material (pick one)**
- G Kemglass (Fiberglass Reinforced Polyester)
- Sash Frame (pick one)**
- N Frameless
 - M Powder Coated Steel Frame
 - S Type 304L Stainless Steel Frame
- Sash Glass (pick one)**
- G1 Laminated Safety Glass
 - G2 Tempered Safety Glass
- Service Fitting Valve Type (pick one)**
- F4 ADA (FAR)
 - F5 ADA (Watersaver)
- Hood Configuration (pick one)**
- SA Stand Alone (Free standing)
 - LE Left End (Left end of run)
 - RE Right End (Right end of run)
 - AD Add-on (Middle of run)

V Modified By-pass for VAV Control System

Controller Manf: _____

Model: _____ Minimum CFM:

Add-on Options: (pick all required)

- N1 Solid Left Window
- N2 Solid Right Window
- N3 Solid L & R Window (Kemglass panel w/frame) (pick only one)
- A1 Air Alert 600 Alarm
- A3 Air Alert 300 Alarm (pick only one)
- L Sash Stop Label
- D Distillation Rack - Preparation
- T Tissue Screen
- K Fan/Blower Switch - (1 hp motor rated)
- O Stainless Steel Airfoil - Type 304L
- O2 Stainless Steel Airfoil - Type 316L
- Q Stainless Steel Sash Pulls
- C Stainless Steel Duct Collar
- R1 Auto Sash Return (pick only one)
- R3 Proximity Sash Operator

V52F	Overall Length	Back Config	Hood Sash Liner Frame	Sash Glass	Service Fittings	Electrical Fixtures	Hood Config	Add-on Options (separated by commas)	COLOR	ITEM NO.	QUANTITY
V52F	<input type="text"/>	<input type="text"/>	<input checked="" type="checkbox"/> G	<input type="text"/>	<input type="text"/>	<input type="text"/>	<input type="text"/>	- _____			

Technical Information

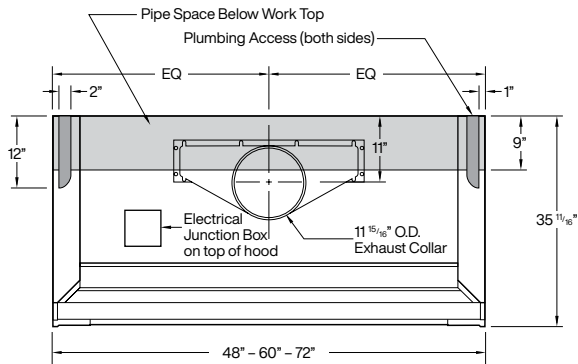
V52F...

Airflow (CFM) Requirements

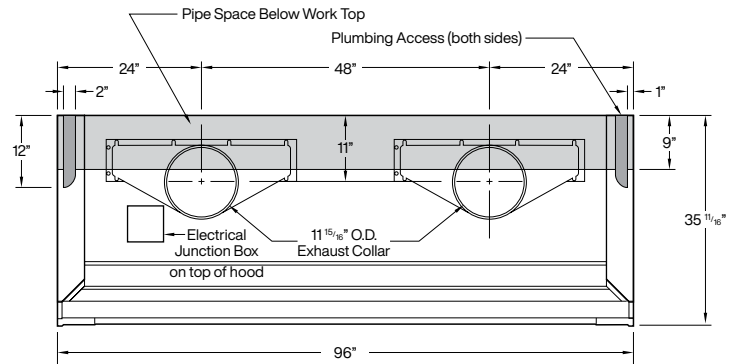
Face Velocity	28" High Sash Opening								18" High Sash Opening							
	4' / 48"		5' / 60"		6' / 72"		8' / 96"		4' / 48"		5' / 60"		6' / 72"		8' / 96"	
	CFM	SP	CFM	SP	CFM	SP	CFM	SP	CFM	SP	CFM	SP	CFM	SP	CFM	SP
100 FPM	772	0.35	1010	0.44	1247	0.55	1722	0.38	502	0.15	656	0.19	810	0.24	1118	0.16
80 FPM	618	0.23	808	0.29	998	0.36	1378	0.25	401	0.10	525	0.13	648	0.16	895	0.11
60 FPM	464	0.13	606	0.16	749	0.21	1034	0.14	301	0.06	394	0.07	486	0.09	671	0.06
50 FPM	386	0.09	506	0.12	624	0.15	861	0.10	251	0.04	328	0.05	405	0.07	559	0.04

Static pressures shown are for the pressure drop through the hoods only. The total pressure drop through the hood and the duct system must be calculated to select the proper exhaust fan.

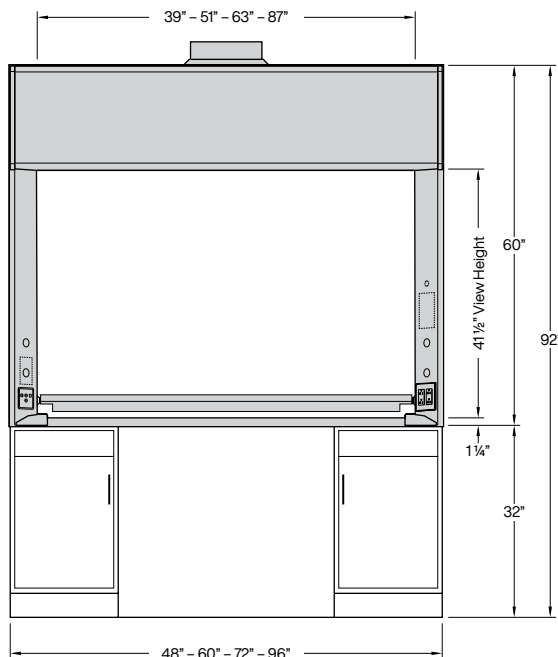
Inside Depth	ANSI Z9.5 Minimum Flow Rate Flow Rate							
	150 Air Changes/Hour				375 Air Changes/Hour			
	4' / 48"	5' / 60"	6' / 72"	8' / 96"	4' / 48"	5' / 60"	6' / 72"	8' / 96"
24" deep	75 CFM	100 CFM	120 CFM	155 CFM	185 CFM	235 CFM	285 CFM	390 CFM



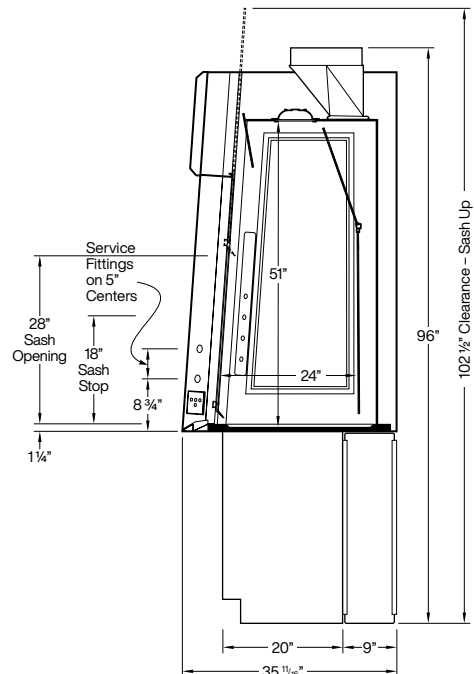
4'-5'-6' Rough-in



8' Rough-in



Elevation



Vertical Section