

Supreme Air Venturi Fume Hood

V45F 28...

Isotope Bench Hood with Vertical Rising Sash

(indicate fittings/fixtures required)
(hole plugged if no fitting specified)

(indicate fittings/fixtures required)
(hole plugged if no fitting specified)

[Option K - Fan/Blower Switch]

Fume Hood Wash Down

Light/Sash Stop Controller

[Water]

120VAC GFCI Double Duplex

[Option A1/A3 Alarm]

[Water]

120VAC GFCI Double Duplex

Pre-piping: (pick one if required)

- IN** Installed (no piping)
- PU** Pre-piped Up
- PD** Pre-piped Down
- SP** Pre-piped Single Point
 - Up - Left Side
 - Up - Right Side

Receptacles: (pick one)

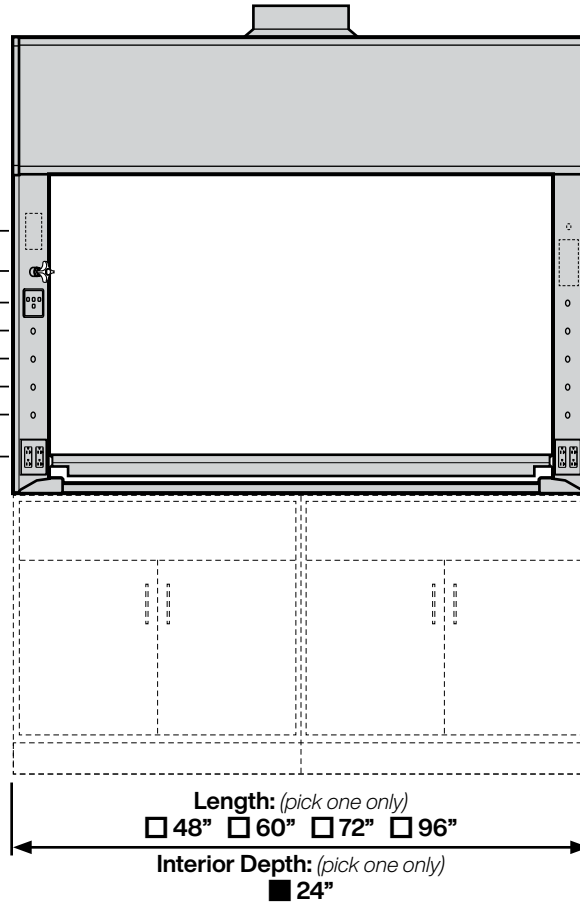
- S** Spec. Grade GFCI
- H** Hospital Grade GFCI

Receptacle Color: (pick one)

- K** Black
- W** White
- R** Red
- V** Ivory
- G** Grey

Wiring: (pick if required)

- U** Pre-wired - Top of Hood



Required Options: (pick from each group)

Interior Liner Material (pick one)

- L** Type 316L Stainless Steel

Sash Frame (pick one)

- N** Frameless
- M** Powder Coated Steel Frame
- S** Type 304L Stainless Steel Frame

Sash Glass (pick one)

- G1** Laminated Safety Glass
- G2** Tempered Safety Glass
- G3** Polycarbonate

Service Fitting Valve Type (pick one)

- F3** Front Load Needle Valves

- V** Modified By-pass for VAV Control System

VAV Controller Manf:

Model:

Minimum CFM:

--	--	--

Add-on Options: (pick all required)

- A1** Air Alert 600 Alarm
- A3** Air Alert 300 Alarm
- L** Sash Stop Label

- S** Safety Shield
- T** Tissue Screen

- Std Vapor Proof Light
- B2** Explosion Proof Light
- K** Fan/Blower Switch - (1 hp motor rated)

- O** Stainless Steel Airfoil - Type 304L
- O2** Stainless Steel Airfoil - Type 316L
- Q** Stainless Steel Sash Pulls
- Std Stainless Steel Duct Collar

- R3** Proximity Sash Operator

Sash Height	Inside Depth	Overall Length	Hood Liner	Sash Frame	Sash Glass	Service Fittings	Electrical Fixtures	Add-on Options (separated by commas)	COLOR	ITEM NO.	QUANTITY
V45F 28	24		L	-		F3,					

Technical Information

V45F 28...

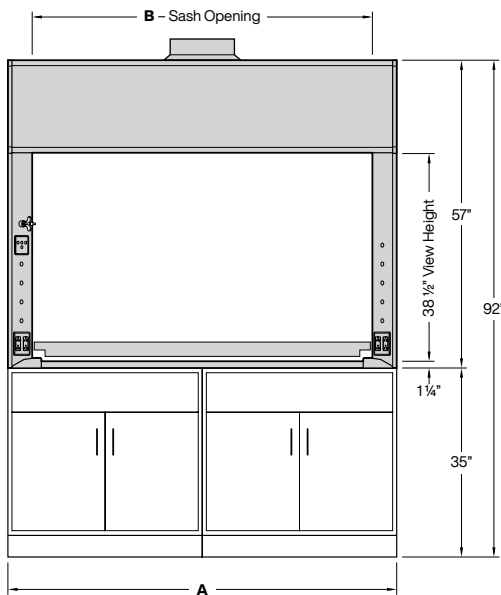
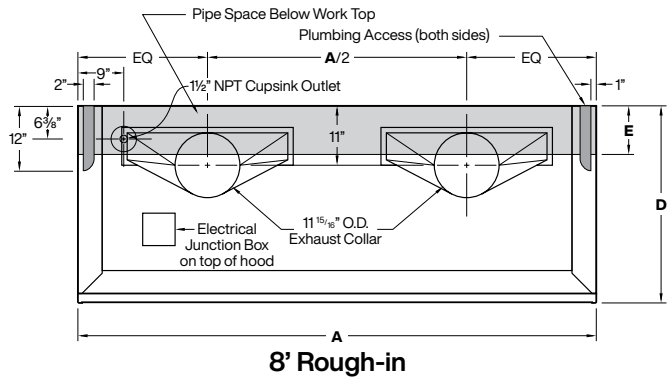
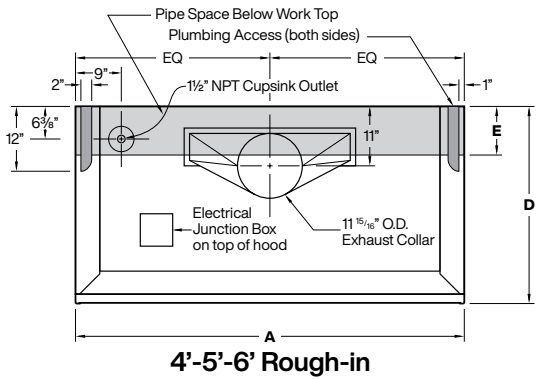
Airflow (CFM) Requirements

Face Velocity	28" High Sash Opening								18" High Sash Opening							
	4' / 48"		5' / 60"		6' / 72"		8' / 96"		4' / 48"		5' / 60"		6' / 72"		8' / 96"	
	CFM	SP	CFM	SP	CFM	SP	CFM	SP	CFM	SP	CFM	SP	CFM	SP	CFM	SP
120 FPM	927	0.49	1212	0.62	1497	0.77	2067	0.54	602	0.21	787	0.27	972	0.34	1342	0.23
100 FPM	772	0.35	1010	0.44	1247	0.55	1722	0.38	502	0.15	656	0.19	810	0.24	1118	0.16
80 FPM	not recommended		not recommended		not recommended		not recommended		not recommended		not recommended		not recommended		not recommended	

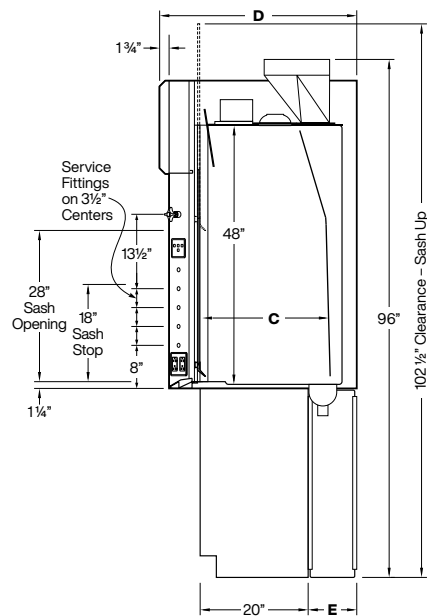
Static pressures shown are for the pressure drop through the hoods only. The total pressure drop through the hood and the duct system must be calculated to select the proper exhaust fan.

ANSI Z9.5 Minimum Flow Rate Flow Rate

Inside Depth	150 Air Changes/Hour				375 Air Changes/Hour			
	4' / 48"	5' / 60"	6' / 72"	8' / 96"	4' / 48"	5' / 60"	6' / 72"	8' / 96"
24" deep	80 CFM	100 CFM	120 CFM	170 CFM	190 CFM	240 CFM	300 CFM	410 CFM



Dimensions - Length				
A	48"	60"	72"	96"
B	39"	51"	63"	87"



Dimensions - Depth	
C	24"
D	36 1/2"
E	9"