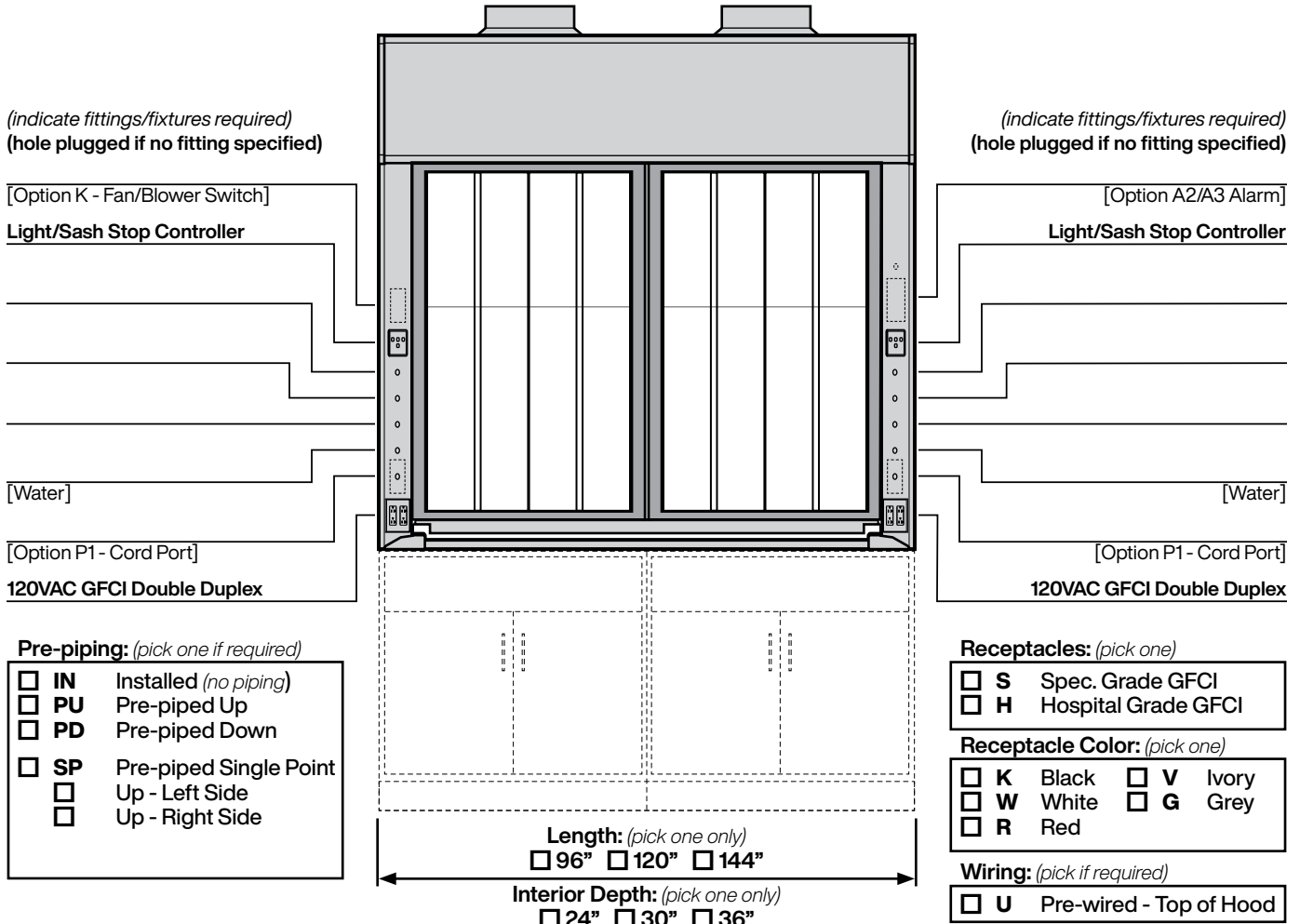


Supreme Air Venturi Fume Hood V36F 28...

LX Series 60" Interior Height Bench Hood with 28" Split Vertical Rising Sash



Required Options: (pick from each group)

- Interior Liner Material** (pick one)
- G** Kemglass (Fiberglass Reinforced Polyester)
 - L** Type 316L Stainless Steel
 - S** Type 304L Stainless Steel
 - T** Phenolic Resin
- Sash Frame** (pick one)
- M** Powder Coated Steel Frame
 - S** Type 304L Stainless Steel Frame
- Sash Glass** (pick one)
- G1** Laminated Safety Glass
 - G2** Tempered Safety Glass
 - G3** Polycarbonate
- Service Fitting Valve Type** (pick one)
- F1** Rod Control Needle Valves
 - F3** Front Load Needle Valves

V Modified By-pass for VAV Control System

VAV Controller Manf: _____

Model: _____

Minimum CFM: _____

Add-on Options: (pick all required)

- A2** Air Alert 600 Alarm
- A3** Air Alert 300 Alarm
- L** Sash Stop Label
- D** Distillation Rack - Preparation
- E** Fire Suppression System
- T** Tissue Screen
- P1** Cord Ports - one in each post
- B1** Vapor Proof Light
- B2** Explosion Proof Light
- K** Fan/Blower Switch - (1 hp motor rated)
- O** Stainless Steel Airfoil - Type 304L
- O2** Stainless Steel Airfoil - Type 316L
- Q** Stainless Steel Sash Pulls
- C** Stainless Steel Duct Collar
- R3** Proximity Sash Operator

| Sash Height | Inside Depth | Overall Length | Hood Liner | Sash Frame | Sash Glass | Service Fittings | Electrical Fixtures | Add-on Options (separated by commas) | COLOR | ITEM NO. | QUANTITY |
|-------------|--------------|----------------|------------|------------|------------|------------------|---------------------|--------------------------------------|-------|----------|----------|
| V36F28 | | | | | | | | | | | |

Technical Information

V36F 28...

Airflow (CFM) Requirements

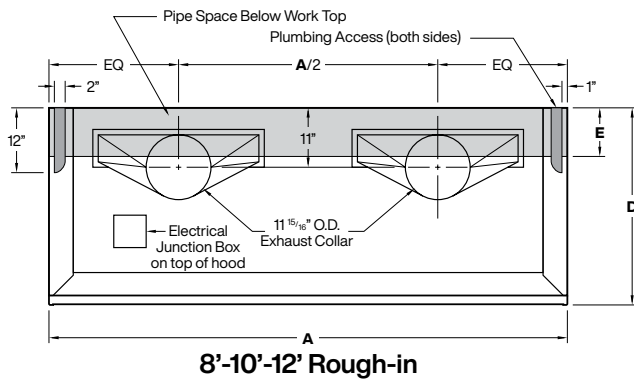
| Face Velocity | 18" High Sash Opening | | | | | |
|---------------|-----------------------|------|------------|------|------------|------|
| | 8' / 96" | | 10' / 120" | | 12' / 144" | |
| | CFM | SP | CFM | SP | CFM | SP |
| 100 FPM | 1118 | 0.16 | 1427 | 0.21 | 1735 | 0.26 |
| 80 FPM | 895 | 0.11 | 1141 | 0.14 | 1388 | 0.17 |
| 60 FPM | 671 | 0.06 | 856 | 0.08 | 1041 | 0.10 |

| Sash Closed - Panels Full Open | | | | | |
|--------------------------------|------|------------|------|------------|------|
| 8' / 96" | | 10' / 120" | | 12' / 144" | |
| CFM | SP | CFM | SP | CFM | SP |
| 954 | 0.12 | 1240 | 0.16 | 1526 | 0.21 |
| 763 | 0.08 | 992 | 0.10 | 1221 | 0.13 |
| 573 | 0.05 | 744 | 0.06 | 916 | 0.08 |

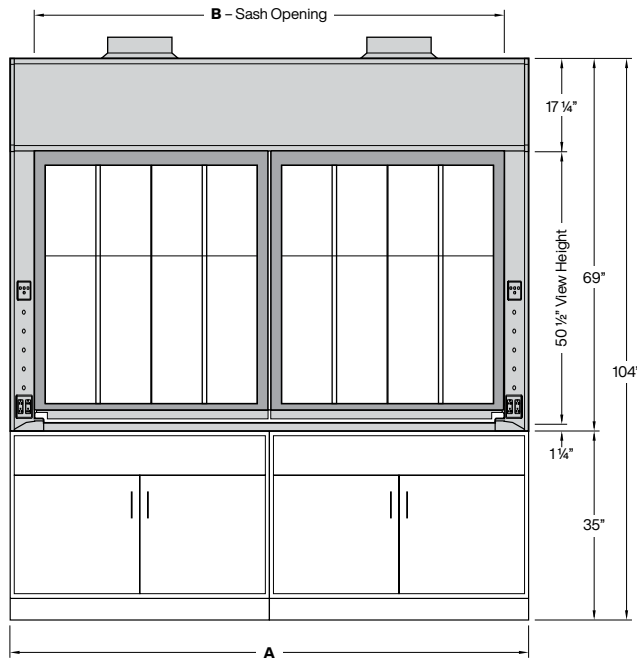
Static pressures shown are for the pressure drop through the hoods only. The total pressure drop through the hood and the duct system must be calculated to select the proper exhaust fan.

| Inside Depth | ANSI Z9.5 Minimum Flow Rate Flow Rate | | |
|--------------|---------------------------------------|------------|------------|
| | 150 Air Changes/Hour | | |
| | 8' / 96" | 10' / 120" | 12' / 144" |
| 24" deep | 210 CFM | 260 CFM | 320 CFM |
| 30" deep | 250 CFM | 320 CFM | 390 CFM |
| 36" deep | 300 CFM | 380 CFM | 460 CFM |

| Inside Depth | ANSI Z9.5 Minimum Flow Rate Flow Rate | | |
|--------------|---------------------------------------|------------|------------|
| | 375 Air Changes/Hour | | |
| | 8' / 96" | 10' / 120" | 12' / 144" |
| 24" deep | 510 CFM | 650 CFM | 790 CFM |
| 30" deep | 620 CFM | 790 CFM | 960 CFM |
| 36" deep | 740 CFM | 940 CFM | 1140 CFM |

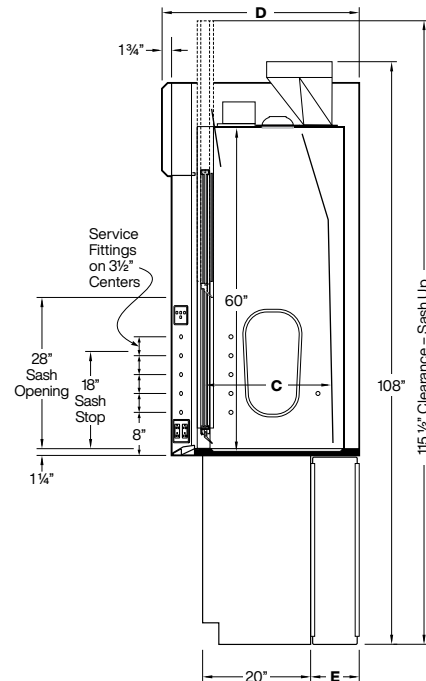


8'-10'-12' Rough-in



Elevation

| Dimensions - Length | | | |
|---------------------|-----|------|------|
| A | 96" | 120" | 144" |
| B | 87" | 111" | 135" |



Vertical Section

| Dimensions - Depth | | | |
|--------------------|---------|---------|---------|
| C | 24" | 30" | 36" |
| D | 36 1/2" | 42 1/2" | 48 1/2" |
| E | 9" | 15" | 21" |