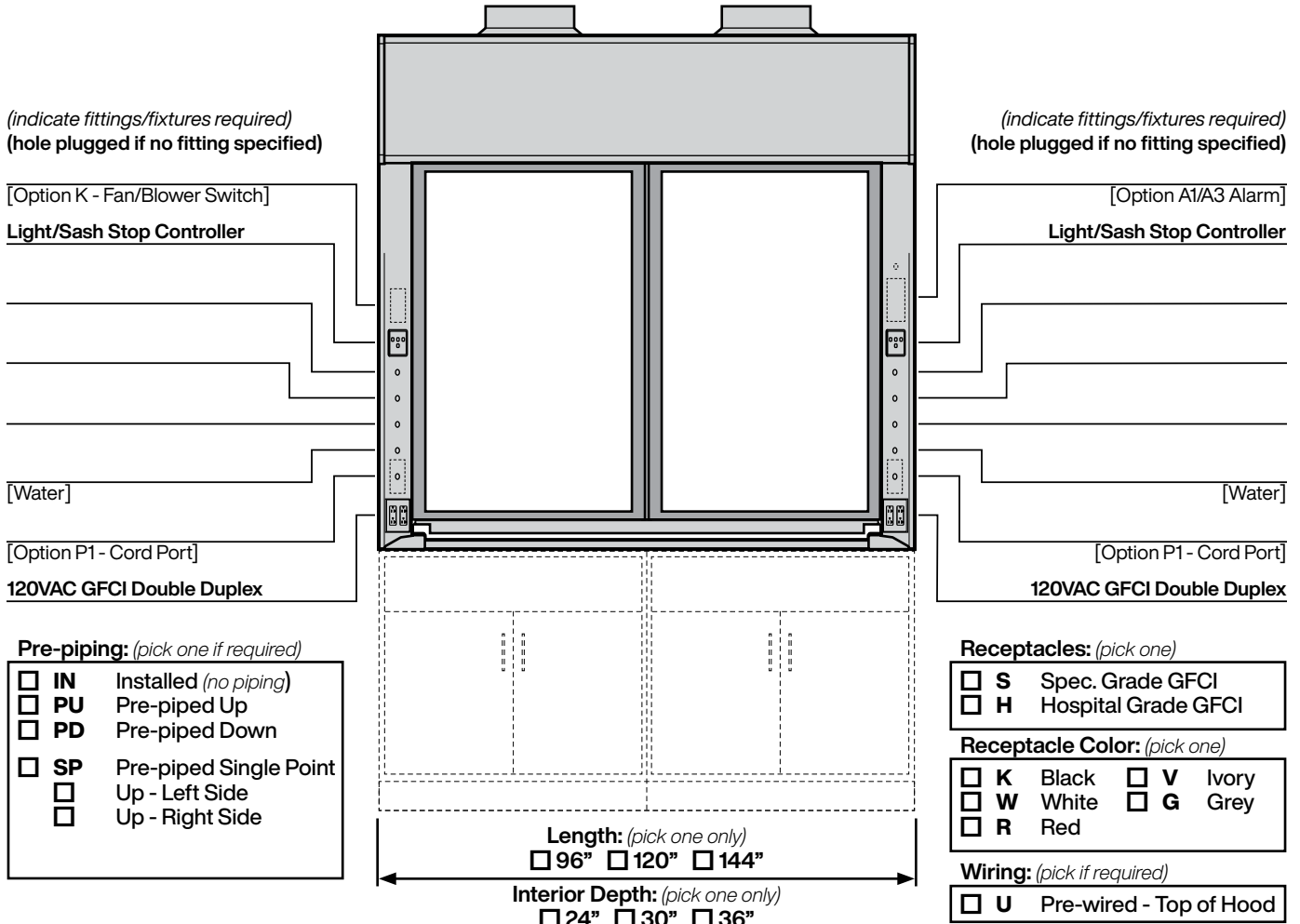


Supreme Air Venturi Fume Hood V30F 28...

LX Series 60" Interior Height Bench Hood with 28" Split Vertical Rising Sash



Required Options: (pick from each group)

- Interior Liner Material** (pick one)
- G** Kemglass (Fiberglass Reinforced Polyester)
 - L** Type 316L Stainless Steel
 - S** Type 304L Stainless Steel
 - T** Phenolic Resin
- Sash Frame** (pick one)
- M** Powder Coated Steel Frame
 - S** Type 304L Stainless Steel Frame
- Sash Glass** (pick one)
- G1** Laminated Safety Glass
 - G2** Tempered Safety Glass
 - G3** Polycarbonate
- Service Fitting Valve Type** (pick one)
- F1** Rod Control Needle Valves
 - F3** Front Load Needle Valves

V Modified By-pass for VAV Control System

VAV Controller Manf: _____

Model: _____

Minimum CFM: _____

Add-on Options: (pick all required)

- A1** Air Alert 600 Alarm
- A3** Air Alert 300 Alarm
- L** Sash Stop Label
- D** Distillation Rack - Preparation
- E** Fire Suppression System
- S** Safety Shield
- T** Tissue Screen
- P1** Cord Ports - one in each post
- B1** Vapor Proof Light
- B2** Explosion Proof Light
- K** Fan/Blower Switch - (1 hp motor rated)
- O** Stainless Steel Airfoil - Type 304L
- O2** Stainless Steel Airfoil - Type 316L
- Q** Stainless Steel Sash Pulls
- C** Stainless Steel Duct Collar
- R3** Proximity Sash Operator

V30F28	Sash Height	Inside Depth	Overall Length	Hood Liner	Sash Frame	Sash Glass	Service Fittings	Electrical Fixtures	Add-on Options (separated by commas)	COLOR	ITEM NO.	QUANTITY
<input type="checkbox"/> <input type="checkbox"/>	<input type="checkbox"/> <input type="checkbox"/>	<input type="checkbox"/> <input type="checkbox"/>	<input type="checkbox"/> <input type="checkbox"/>	<input type="checkbox"/> <input type="checkbox"/>	<input type="checkbox"/> <input type="checkbox"/>	<input type="checkbox"/> <input type="checkbox"/>	<input type="checkbox"/> <input type="checkbox"/>	<input type="checkbox"/> <input type="checkbox"/>	_____	_____	_____	_____

Technical Information

V30F 28...

Airflow (CFM) Requirements

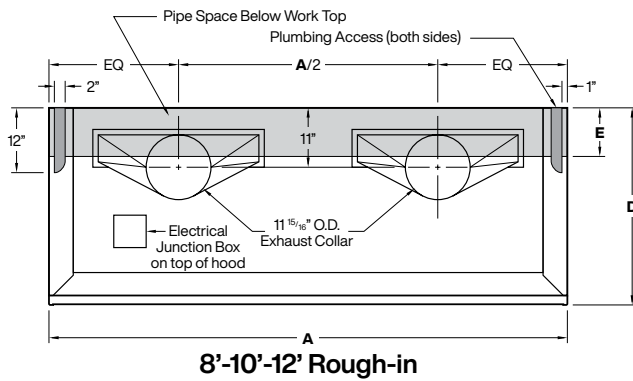
Face Velocity	28" High Sash Opening					
	8' / 96"		10' / 120"		12' / 144"	
	CFM	SP	CFM	SP	CFM	SP
100 FPM	1722	0.38	2197	0.48	2672	0.59
80 FPM	1378	0.25	1758	0.31	2138	0.39
60 FPM	1034	0.14	1319	0.28	1604	0.23

Face Velocity	18" High Sash Opening					
	8' / 96"		10' / 120"		12' / 144"	
	CFM	SP	CFM	SP	CFM	SP
100 FPM	1118	0.16	1427	0.21	1735	0.26
80 FPM	895	0.11	1141	0.14	1388	0.17
60 FPM	671	0.06	856	0.08	1041	0.10

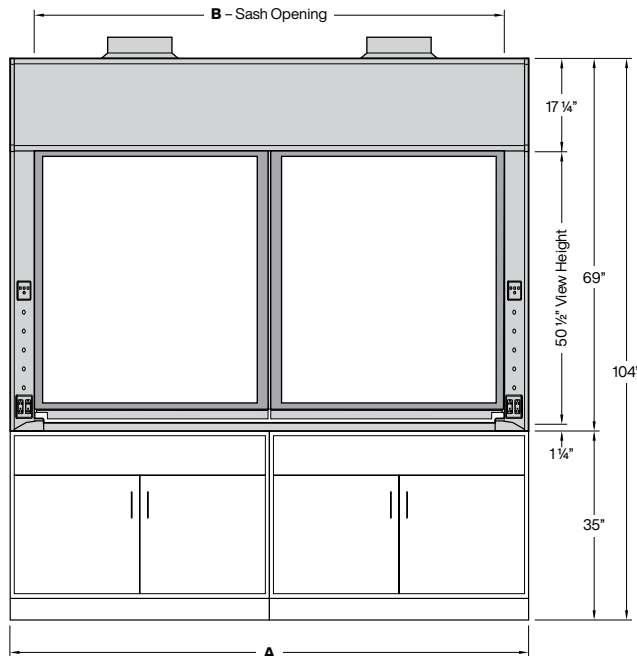
Static pressures shown are for the pressure drop through the hoods only. The total pressure drop through the hood and the duct system must be calculated to select the proper exhaust fan.

Inside Depth	ANSI Z9.5 Minimum Flow Rate Flow Rate		
	150 Air Changes/Hour		
	8' / 96"	10' / 120"	12' / 144"
24" deep	210 CFM	260 CFM	320 CFM
30" deep	250 CFM	320 CFM	390 CFM
36" deep	300 CFM	380 CFM	460 CFM

Inside Depth	ANSI Z9.5 Minimum Flow Rate Flow Rate		
	375 Air Changes/Hour		
	8' / 96"	10' / 120"	12' / 144"
24" deep	510 CFM	650 CFM	790 CFM
30" deep	620 CFM	790 CFM	960 CFM
36" deep	740 CFM	940 CFM	1140 CFM

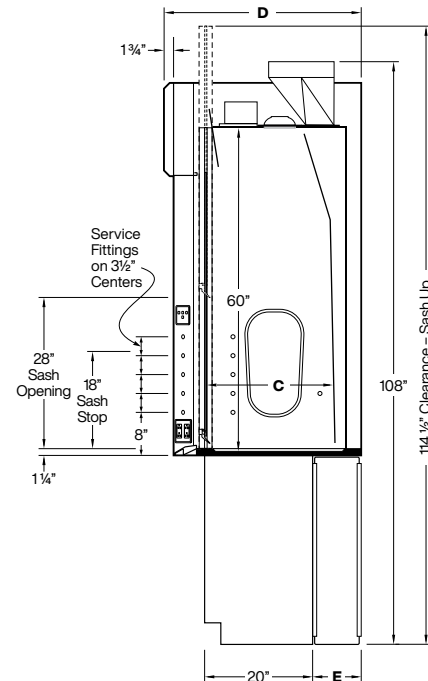


8'-10'-12' Rough-in



Elevation

Dimensions - Length			
A	96"	120"	144"
B	87"	111"	135"



Vertical Section

Dimensions - Depth			
C	24"	30"	36"
D	36 1/2"	42 1/2"	48 1/2"
E	9"	15"	21"