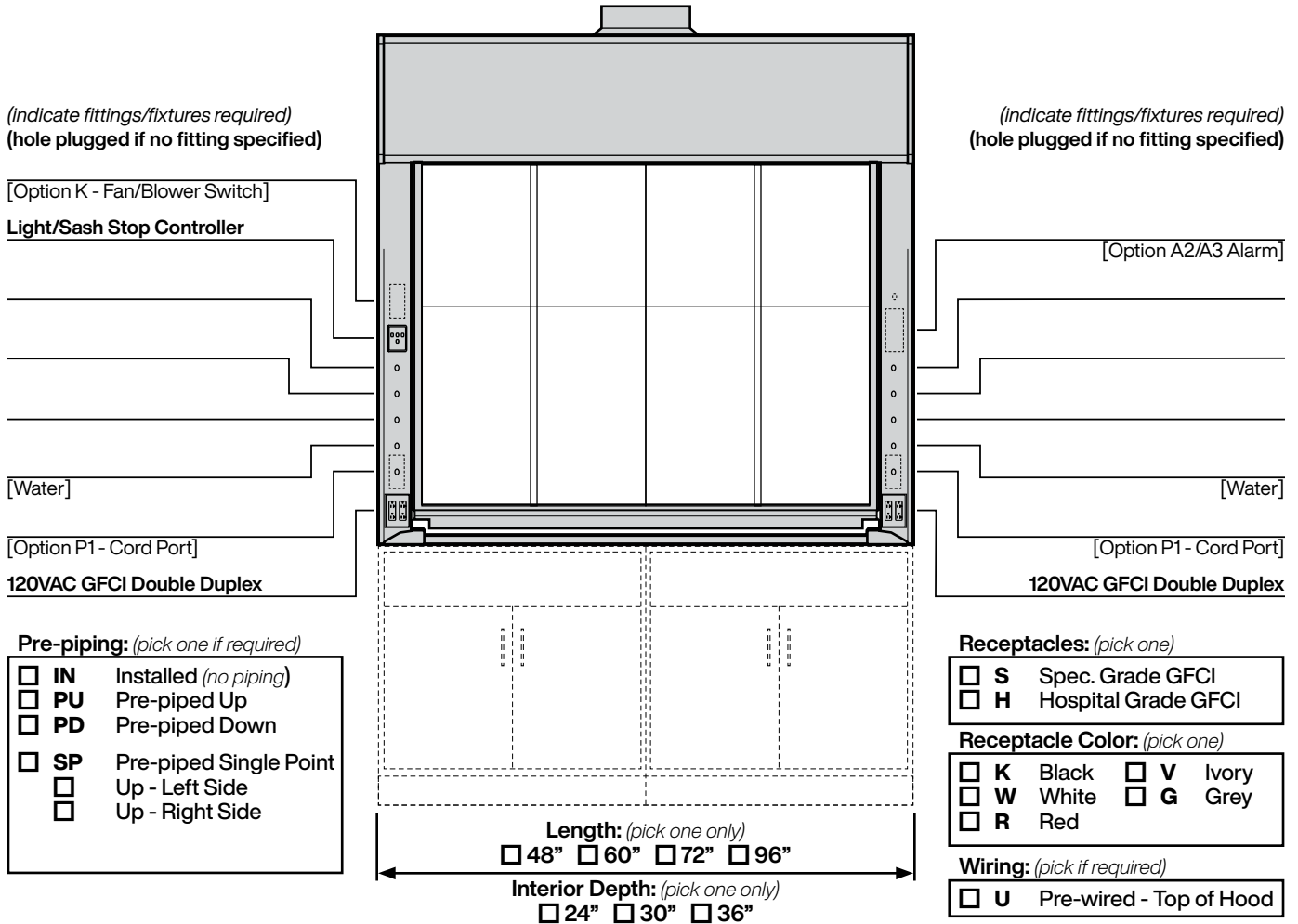


# Supreme Air Venturi Fume Hood V26F 35...

LX Series 60" Interior Height Bench Hood with 35" Combination Vertical Rising/Horizontal Sash



**Required Options:** (pick from each group)

**Interior Liner Material** (pick one)

- G** Kemglass (Fiberglass Reinforced Polyester)
- L** Type 316L Stainless Steel
- S** Type 304L Stainless Steel
- T** Phenolic Resin

**Sash Frame** (pick one)

- M** Powder Coated Steel Frame
- S** Type 304L Stainless Steel Frame

**Sash Glass** (pick one)

- G1** Laminated Safety Glass
- G2** Tempered Safety Glass
- G3** Polycarbonate

**Service Fitting Valve Type** (pick one)

- F1** Rod Control Needle Valves
- F3** Front Load Needle Valves

**V** Modified By-pass for VAV Control System

VAV Controller Manf: \_\_\_\_\_

Model: \_\_\_\_\_

Minimum CFM: \_\_\_\_\_

**Add-on Options:** (pick all required)

- A2** Air Alert 600 Alarm
- A3** Air Alert 300 Alarm
- L** Sash Stop Label
- D** Distillation Rack - Preparation
- E** Fire Suppression System
- T** Tissue Screen
- P1** Cord Ports - one in each post
- B1** Vapor Proof Light
- B2** Explosion Proof Light
- K** Fan/Blower Switch - (1 hp motor rated)
- O** Stainless Steel Airfoil - Type 304L
- O2** Stainless Steel Airfoil - Type 316L
- Q** Stainless Steel Sash Pulls
- C** Stainless Steel Duct Collar
- R1** Auto Sash Return
- R3** Proximity Sash Operator

(pick only one)

(pick only one)

| Sash Height | Inside Depth             | Overall Length           | Hood Liner               | Sash Frame               | Sash Glass               | Service Fittings         | Electrical Fixtures      | Add-on Options (separated by commas) | COLOR | ITEM NO. | QUANTITY |
|-------------|--------------------------|--------------------------|--------------------------|--------------------------|--------------------------|--------------------------|--------------------------|--------------------------------------|-------|----------|----------|
| V26F 35     | <input type="checkbox"/> | <input type="checkbox"/> | <input type="checkbox"/> | <input type="checkbox"/> | <input type="checkbox"/> | <input type="checkbox"/> | <input type="checkbox"/> | _____                                | _____ | _____    | _____    |

# Technical Information

# V26F 35...

## Airflow (CFM) Requirements

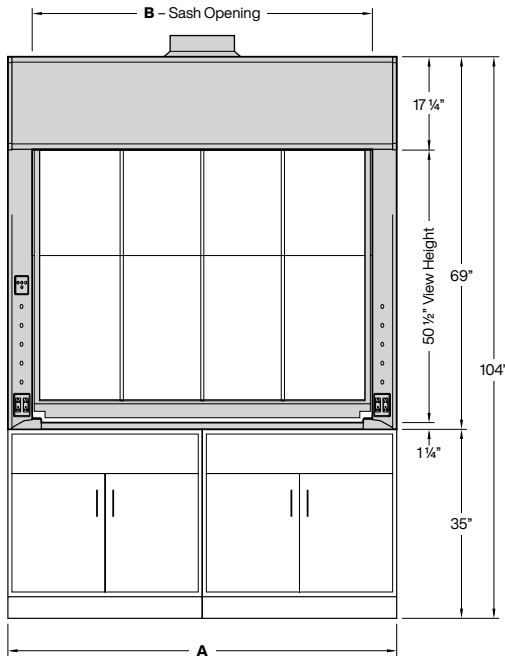
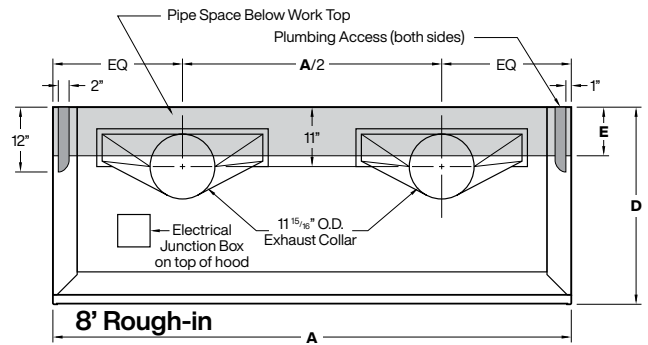
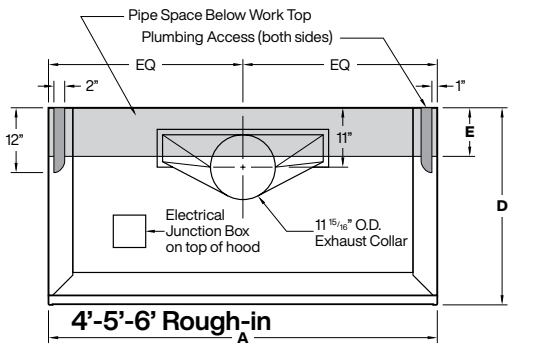
| Face Velocity | 18" High Sash Opening |      |          |      |          |      |          |      |
|---------------|-----------------------|------|----------|------|----------|------|----------|------|
|               | 4' / 48"              |      | 5' / 60" |      | 6' / 72" |      | 8' / 96" |      |
|               | CFM                   | SP   | CFM      | SP   | CFM      | SP   | CFM      | SP   |
| 100 FPM       | 502                   | 0.15 | 656      | 0.19 | 810      | 0.24 | 1118     | 0.16 |
| 80 FPM        | 401                   | 0.10 | 525      | 0.13 | 648      | 0.16 | 895      | 0.11 |
| 60 FPM        | 301                   | 0.06 | 394      | 0.07 | 486      | 0.09 | 671      | 0.06 |

| Face Velocity | Sash Closed - Panels Full Open |      |          |      |          |      |          |      |
|---------------|--------------------------------|------|----------|------|----------|------|----------|------|
|               | 4' / 48"                       |      | 5' / 60" |      | 6' / 72" |      | 8' / 96" |      |
|               | CFM                            | SP   | CFM      | SP   | CFM      | SP   | CFM      | SP   |
| 100 FPM       | 508                            | 0.15 | 680      | 0.21 | 852      | 0.27 | 1196     | 0.19 |
| 80 FPM        | 407                            | 0.10 | 544      | 0.13 | 682      | 0.17 | 957      | 0.12 |
| 60 FPM        | 305                            | 0.06 | 408      | 0.08 | 512      | 0.10 | 718      | 0.07 |

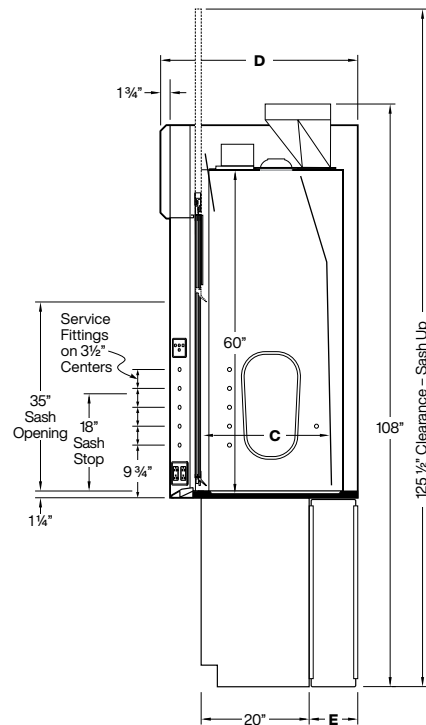
Static pressures shown are for the pressure drop through the hoods only. The total pressure drop through the hood and the duct system must be calculated to select the proper exhaust fan.

| Inside Depth | ANSI Z9.5 Minimum Flow Rate Flow Rate |          |          |          |                      |          |          |          |
|--------------|---------------------------------------|----------|----------|----------|----------------------|----------|----------|----------|
|              | 150 Air Changes/Hour                  |          |          |          | 375 Air Changes/Hour |          |          |          |
|              | 4' / 48"                              | 5' / 60" | 6' / 72" | 8' / 96" | 4' / 48"             | 5' / 60" | 6' / 72" | 8' / 96" |
| 24" deep     | 100 CFM                               | 120 CFM  | 150 CFM  | 210 CFM  | 230 CFM              | 300 CFM  | 370 CFM  | 510 CFM  |
| 30" deep     | 120 CFM                               | 150 CFM  | 180 CFM  | 250 CFM  | 280 CFM              | 370 CFM  | 450 CFM  | 620 CFM  |
| 36" deep     | 140 CFM                               | 180 CFM  | 220 CFM  | 300 CFM  | 330 CFM              | 430 CFM  | 530 CFM  | 740 CFM  |



Elevation

| Dimensions - Length |     |     |     |     |
|---------------------|-----|-----|-----|-----|
| A                   | 48" | 60" | 72" | 96" |
| B                   | 39" | 51" | 63" | 87" |



Vertical Section

| Dimensions - Depth |         |         |         |
|--------------------|---------|---------|---------|
| C                  | 24"     | 30"     | 36"     |
| D                  | 36 1/2" | 42 1/2" | 48 1/2" |
| E                  | 9"      | 15"     | 21"     |