

# Supreme Air Venturi Fume Hood

# V10F 28...

General Purpose Bench Hood with Split Vertical Rising Sash

(indicate fittings/fixtures required)  
(hole plugged if no fitting specified)

(indicate fittings/fixtures required)  
(hole plugged if no fitting specified)

[Option K - Fan/Blower Switch]

Light/Sash Stop Controller

[Water]

[Option P1 - Cord Port]

120VAC GFCI Double Duplex

**Pre-piping:** (pick one if required)

- IN** Installed (no piping)
- PU** Pre-piped Up
- PD** Pre-piped Down
- SP** Pre-piped Single Point
  - Up - Left Side
  - Up - Right Side

[Option A1/A3 Alarm]

Light/Sash Stop Controller

[Water]

[Option P1 - Cord Port]

120VAC GFCI Double Duplex

**Receptacles:** (pick one)

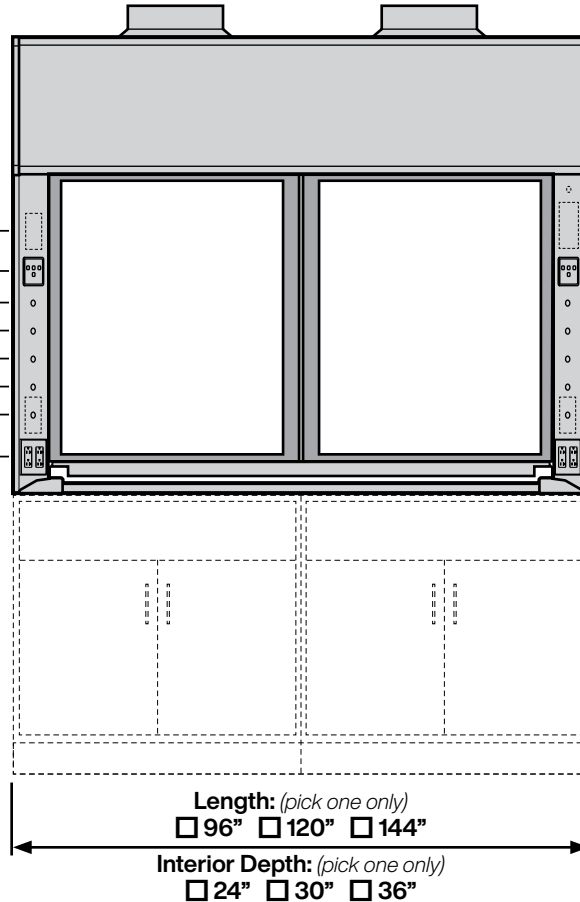
- S** Spec. Grade GFCI
- H** Hospital Grade GFCI

**Receptacle Color:** (pick one)

- K** Black
- W** White
- R** Red
- V** Ivory
- G** Grey

**Wiring:** (pick if required)

- U** Pre-wired - Top of Hood



**Required Options:** (pick from each group)

- Interior Liner Material** (pick one)
- G** Kemglass (Fiberglass Reinforced Polyester)
  - L** Type 316L Stainless Steel
  - S** Type 304L Stainless Steel
  - T** Phenolic Resin

**Sash Frame** (pick one)

- M** Powder Coated Steel Frame
- S** Type 304L Stainless Steel Frame

**Sash Glass** (pick one)

- G1** Laminated Safety Glass
- G2** Tempered Safety Glass
- G3** Polycarbonate

**Service Fitting Valve Type** (pick one)

- F1** Rod Control Needle Valves
- F3** Front Load Needle Valves

- V** Modified By-pass for VAV Control System

VAV Controller Manf: \_\_\_\_\_

Model: \_\_\_\_\_

Minimum CFM: \_\_\_\_\_

**Add-on Options:** (pick all required)

- A1** Air Alert 600 Alarm
- A3** Air Alert 300 Alarm
- L** Sash Stop Label

- D** Distillation Rack - Preparation
- E** Fire Suppression System
- S** Safety Shield
- T** Tissue Screen
- P1** Cord Ports - one in each post

- B1** Vapor Proof Light
- B2** Explosion Proof Light
- K** Fan/Blower Switch - (1 hp motor rated)

- O** Stainless Steel Airfoil - Type 304L
- O2** Stainless Steel Airfoil - Type 316L
- Q** Stainless Steel Sash Pulls
- C** Stainless Steel Duct Collar

- R3** Proximity Sash Operator

<b>V10F 28</b>	Sash Height	Inside Depth	Overall Length	Hood Liner	Sash Frame	Sash Glass	Service Fittings	Electrical Fixtures	Add-on Options (separated by commas)	COLOR	ITEM NO.	QUANTITY
<input type="checkbox"/>	<input type="checkbox"/>	<input type="checkbox"/>	<input type="checkbox"/>	<input type="checkbox"/>	<input type="checkbox"/>	<input type="checkbox"/>	<input type="checkbox"/>	<input type="checkbox"/>	_____	_____	_____	_____

# Technical Information

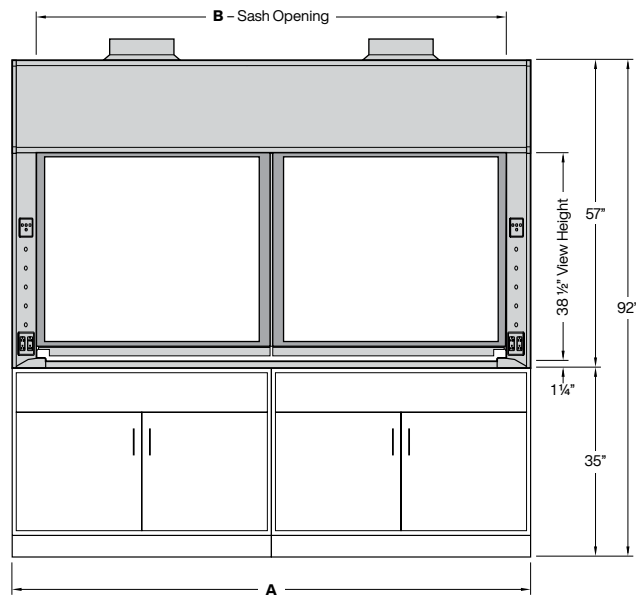
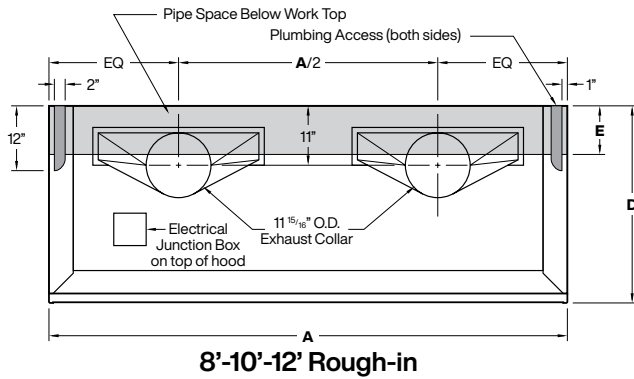
# V10F 28...

## Airflow (CFM) Requirements

Face Velocity	28" High Sash Opening						18" High Sash Opening					
	8' / 96"		10' / 120"		12' / 144"		8' / 96"		10' / 120"		12' / 144"	
	CFM	SP	CFM	SP	CFM	SP	CFM	SP	CFM	SP	CFM	SP
100 FPM	1722	0.38	2197	0.48	2672	0.59	1118	0.16	1427	0.21	1735	0.26
80 FPM	1378	0.25	1758	0.31	2138	0.39	895	0.11	1141	0.14	1388	0.17
60 FPM	1034	0.14	1319	0.18	1604	0.23	671	0.06	856	0.08	1041	0.10
50 FPM	861	0.10	1099	0.13	1336	0.16	559	0.04	714	0.06	868	0.07

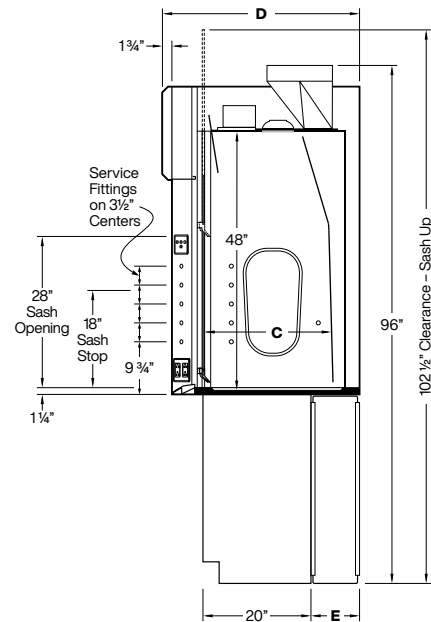
Static pressures shown are for the pressure drop through the hoods only. The total pressure drop through the hood and the duct system must be calculated to select the proper exhaust fan.

Inside Depth	ANSI Z9.5 Minimum Flow Rate Flow Rate					
	150 Air Changes/Hour			375 Air Changes/Hour		
	8' / 96"	10' / 120"	12' / 144"	8' / 96"	10' / 120"	12' / 144"
24" deep	170 CFM	210 CFM	260 CFM	410 CFM	520 CFM	630 CFM
30" deep	200 CFM	260 CFM	310 CFM	500 CFM	630 CFM	770 CFM
36" deep	240 CFM	300 CFM	370 CFM	590 CFM	750 CFM	910 CFM



Elevation

Dimensions - Length			
A	96"	120"	144"
B	87"	111"	135"



Vertical Section

Dimensions - Depth			
C	24"	30"	36"
D	36 1/2"	42 1/2"	48 1/2"
E	9"	15"	21"