

# Supreme Air Venturi Fume Hood

# V07F 31...

General Purpose Bench Hood with Horizontal Sash

(indicate fittings/fixtures required)  
(hole plugged if no fitting specified)

(indicate fittings/fixtures required)  
(hole plugged if no fitting specified)

[Option K - Fan/Blower Switch]

Light Controller

[Option A2/A3 Alarm]

[Water]

[Water]

[Option P1 - Cord Port]

120VAC GFCI Double Duplex

[Option P1 - Cord Port]

120VAC GFCI Double Duplex

**Pre-piping:** (pick one if required)

- IN** Installed (no piping)
- PU** Pre-piped Up
- PD** Pre-piped Down
- SP** Pre-piped Single Point
  - Up - Left Side
  - Up - Right Side

**Receptacles:** (pick one)

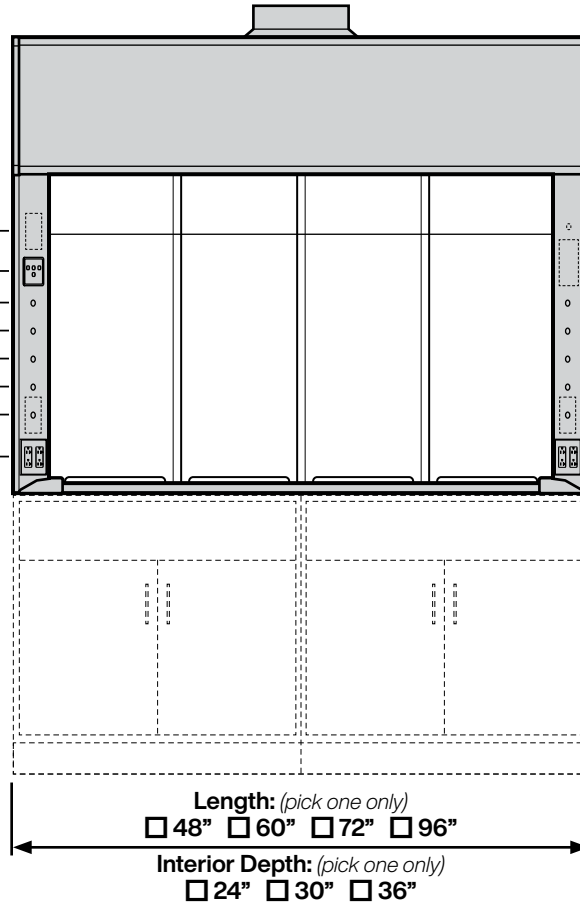
- S** Spec. Grade GFCI
- H** Hospital Grade GFCI

**Receptacle Color:** (pick one)

- K** Black
- W** White
- R** Red
- V** Ivory
- G** Grey

**Wiring:** (pick if required)

- U** Pre-wired - Top of Hood



**Required Options:** (pick from each group)

- Interior Liner Material** (pick one)
- G** Kemglass (Fiberglass Reinforced Polyester)
  - L** Type 316L Stainless Steel
  - S** Type 304L Stainless Steel
  - T** Phenolic Resin

**Sash Frame** (pick one)

- N** Frameless

**Sash Glass** (pick one)

- G1** Laminated Safety Glass
- G2** Tempered Safety Glass
- G3** Polycarbonate

**Service Fitting Valve Type** (pick one)

- F1** Rod Control Needle Valves
- F3** Front Load Needle Valves

- V** Modified By-pass for VAV Control System

VAV Controller Manf:

Model:

Minimum CFM:

--	--	--

**Add-on Options:** (pick all required)

- A2** Air Alert 600 Alarm
- A3** Air Alert 300 Alarm
- D** Distillation Rack - Preparation
- E** Fire Suppression System
- T** Tissue Screen
- P1** Cord Ports - one in each post
- B1** Vapor Proof Light
- B2** Explosion Proof Light
- K** Fan/Blower Switch - (1 hp motor rated)
- O** Stainless Steel Airfoil - Type 304L
- O2** Stainless Steel Airfoil - Type 316L
- C** Stainless Steel Duct Collar

Sash Height	Inside Depth	Overall Length	Hood Liner	Sash Frame	Sash Glass	Service Fittings	Electrical Fixtures	Add-on Options (separated by commas)	COLOR	ITEM NO.	QUANTITY
V07F 31											

# Technical Information

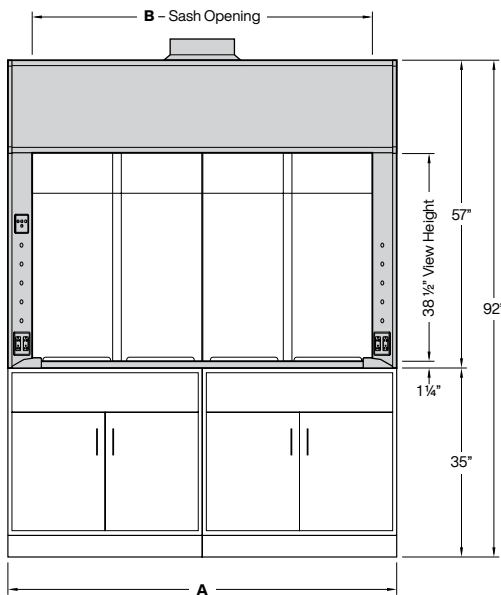
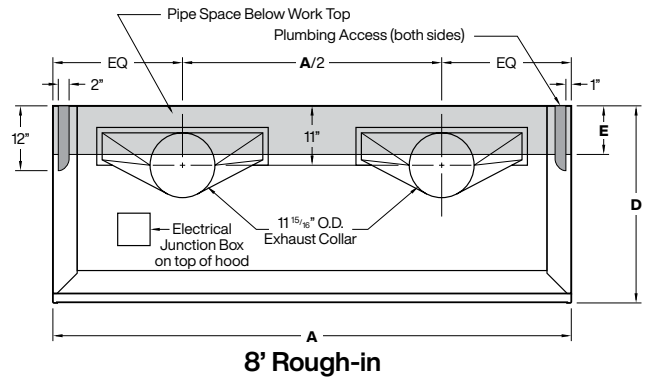
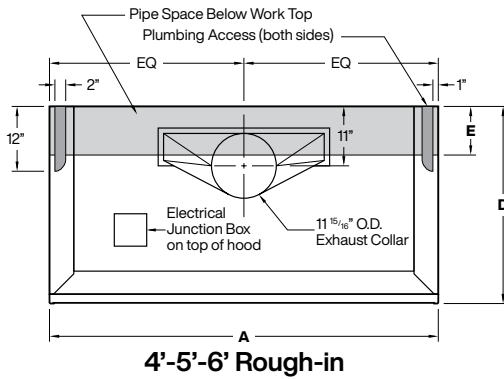
# V07F 31...

## Airflow (CFM) Requirements

Face Velocity	Panels Fully Open							
	4' / 48"		5' / 60"		6' / 72"		8' / 96"	
	CFM	SP	CFM	SP	CFM	SP	CFM	SP
100 FPM	546	0.18	716	0.23	887	0.29	1229	0.20
80 FPM	437	0.12	573	0.15	710	0.19	983	0.13
60 FPM	328	0.07	430	0.09	533	0.11	738	0.07
50 FPM	273	0.05	358	0.06	444	0.08	615	0.05

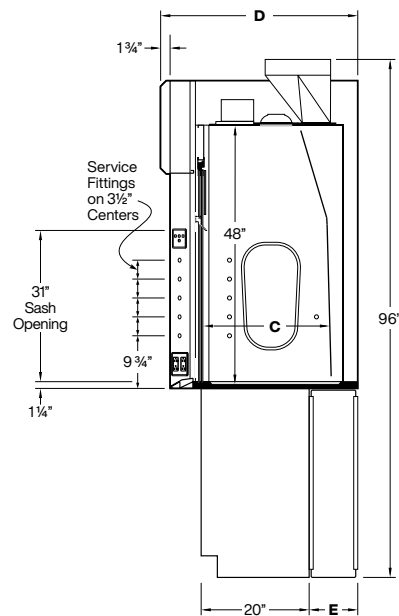
Static pressures shown are for the pressure drop through the hoods only. The total pressure drop through the hood and the duct system must be calculated to select the proper exhaust fan.

Inside Depth	ANSI Z9.5 Minimum Flow Rate Flow Rate							
	150 Air Changes/Hour				375 Air Changes/Hour			
	4' / 48"	5' / 60"	6' / 72"	8' / 96"	4' / 48"	5' / 60"	6' / 72"	8' / 96"
24" deep	80 CFM	100 CFM	120 CFM	170 CFM	190 CFM	240 CFM	300 CFM	410 CFM
30" deep	90 CFM	120 CFM	150 CFM	200 CFM	230 CFM	290 CFM	360 CFM	500 CFM
36" deep	110 CFM	140 CFM	170 CFM	240 CFM	270 CFM	350 CFM	430 CFM	590 CFM



Elevation

Dimensions - Length				
A	48"	60"	72"	96"
B	39"	51"	63"	87"



Vertical Section

Dimensions - Depth			
C	24"	30"	36"
D	36 1/2"	42 1/2"	48 1/2"
E	9"	15"	21"