

# Supreme Air Venturi Fume Hood

# V66F64...

Floor Mounted Hood with Combination Vertical Rising/Horizontal Sash

(indicate fittings/fixtures required)  
(hole plugged if no fitting specified)

(indicate fittings/fixtures required)  
(hole plugged if no fitting specified)

[Option K - Fan/Blower Switch]

**Light/Sash Stop Controller**

[Option A2/A3 Alarm]

[Water]

[Water]

[Option P1 - Cord Port]

[Option P1 - Cord Port]

**120VAC GFCI Double Duplex**

**120VAC GFCI Double Duplex**

**Pre-piping:** (pick one if required)

- IN** Installed (no piping)
- PU** Pre-piped Up
- PD** Pre-piped Down
- SP** Pre-piped Single Point
  - Up - Left Side
  - Up - Right Side

**Receptacles:** (pick one)

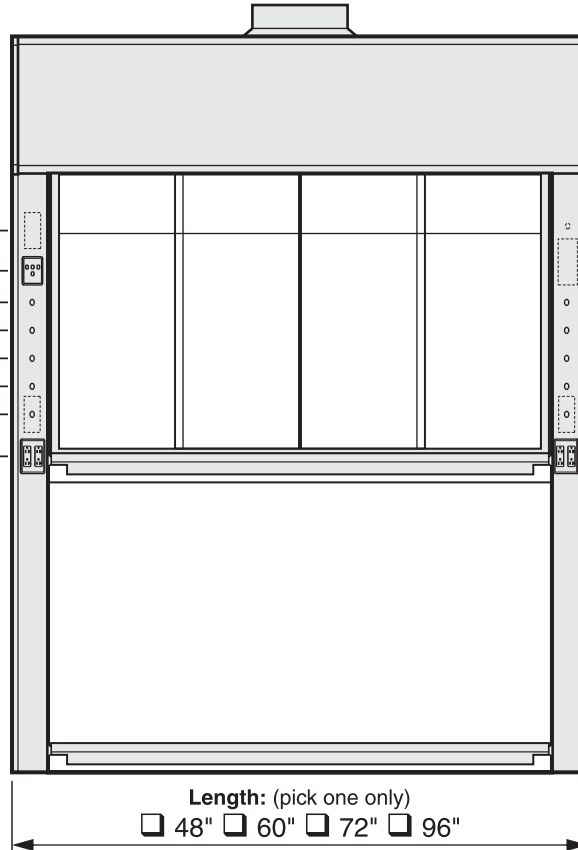
- S** Spec. Grade GFCI
- H** Hospital Grade GFCI

**Receptacle Color:** (pick one)

- K** Black
- V** Ivory
- W** White
- G** Grey
- R** Red

**Wiring:** (pick if required)

- U** Pre-wired - Top of Hood



**Length:** (pick one only)

- 48"  60"  72"  96"

**Interior Depth:** (pick one only)

- 24"  30"  36"  48"

**Required Options:** (pick one from each group)

**Interior Liner Material** (pick one)

- G** Kemglass (Fiberglass Reinforced Polyester)
- L** Type 316L Stainless Steel
- S** Type 304L Stainless Steel
- T** Phenolic Resin

**Sash Frame** (pick one)

- M** Powder Coated Steel Frame
- S** Type 304L Stainless Steel Frame

**Sash Glass** (pick one)

- G1** Laminated Safety Glass
- G2** Tempered Safety Glass
- G3** Polycarbonate

**Service Fitting Valve Type** (pick one)

- F1** Rod Control Needle Valves
- F3** Front Load Needle Valves

**Add-on Options:** (pick all required)

- A2** Air Alert 600 Alarm
- A3** Air Alert 300 Alarm
- L** Sash Stop Label
- D** Distillation Rack - Preparation
- E** Fire Suppression System
- S** Safety Shield
- T** Tissue Screen
- P1** Cord Ports - one in each post
- W** Work Shelf Supports (4, 5, & 6 foot hoods only)
- B1** Vapor Proof Light
- B2** Explosion Proof Light
- K** Fan/Blower Switch - (1hp motor rated)
- Q** Stainless Steel Sash Pulls (bottom sash only)
- C** Stainless Steel Duct Collar
- R3** Proximity Sash Operator

(pick only one) for A2 and A3.

**V** Modified By-pass for VAV Control System

VAV Controller Manf: \_\_\_\_\_

Model: \_\_\_\_\_

Minimum CFM:

| Sash Height    | Inside Depth         | Overall Length       | Hood Liner           | Sash Frame           | Sash Glass           | Service Fittings     | Electrical Fixtures  | Add-on Options (separated by commas) | COLOR | ITEM NO. | QUANTITY |
|----------------|----------------------|----------------------|----------------------|----------------------|----------------------|----------------------|----------------------|--------------------------------------|-------|----------|----------|
| <b>V66F 64</b> | <input type="text"/> | <input type="text"/> | <input type="text"/> | <input type="text"/> | <input type="text"/> | <input type="text"/> | <input type="text"/> | <input type="text"/>                 |       |          |          |

# Technical Information

# V66F64...

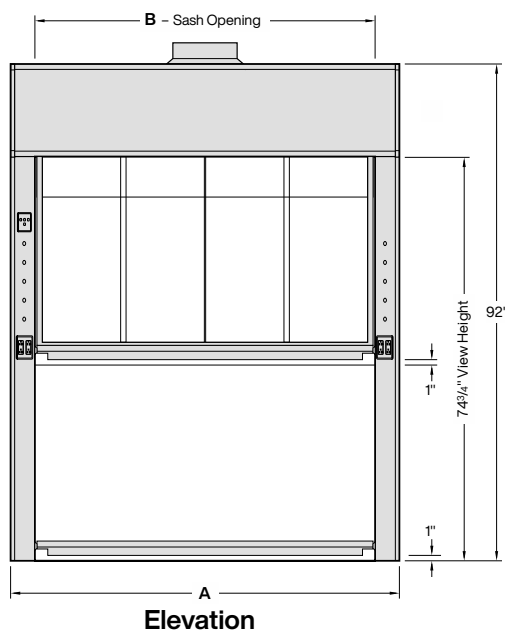
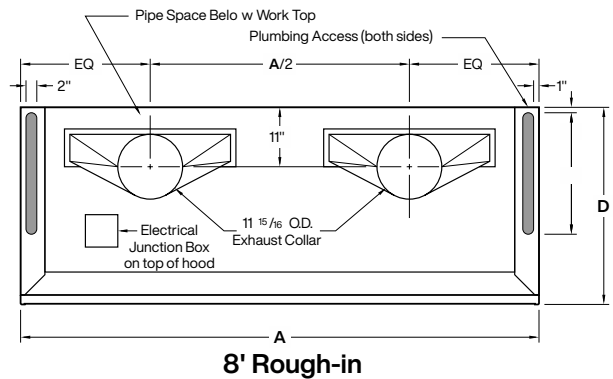
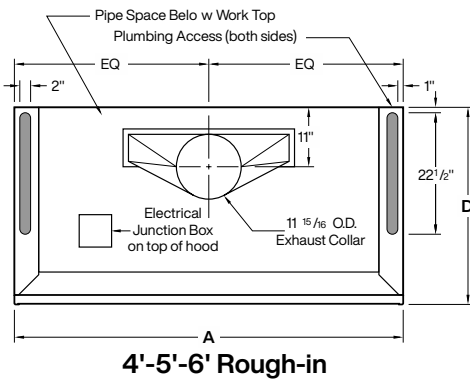
## Airflow (CFM) Requirements

| Face Velocity | 18" High Sash Opening |      |             |      |             |      |             |      | Sash Closed – Panels Full Open |      |             |      |             |      |             |      |
|---------------|-----------------------|------|-------------|------|-------------|------|-------------|------|--------------------------------|------|-------------|------|-------------|------|-------------|------|
|               | 4'-0" / 48"           |      | 5'-0" / 60" |      | 6'-0" / 72" |      | 8'-0" / 96" |      | 4'-0" / 48"                    |      | 5'-0" / 60" |      | 6'-0" / 72" |      | 8'-0" / 96" |      |
|               | CFM                   | SP   | CFM         | SP   | CFM         | SP   | CFM         | SP   | CFM                            | SP   | CFM         | SP   | CFM         | SP   | CFM         | SP   |
| 120 FPM       | 667                   | 0.26 | 872         | 0.33 | 1077        | 0.41 | 1487        | 0.28 | 536                            | 0.17 | 716         | 0.23 | 896         | 0.29 | 1256        | 0.21 |
| 100 FPM       | 556                   | 0.18 | 727         | 0.23 | 897         | 0.29 | 1239        | 0.20 | 447                            | 0.12 | 597         | 0.16 | 747         | 0.21 | 1047        | 0.15 |
| 80 FPM        | 445                   | 0.12 | 581         | 0.15 | 718         | 0.19 | 991         | 0.13 | 357                            | 0.08 | 477         | 0.10 | 597         | 0.14 | 837         | 0.09 |

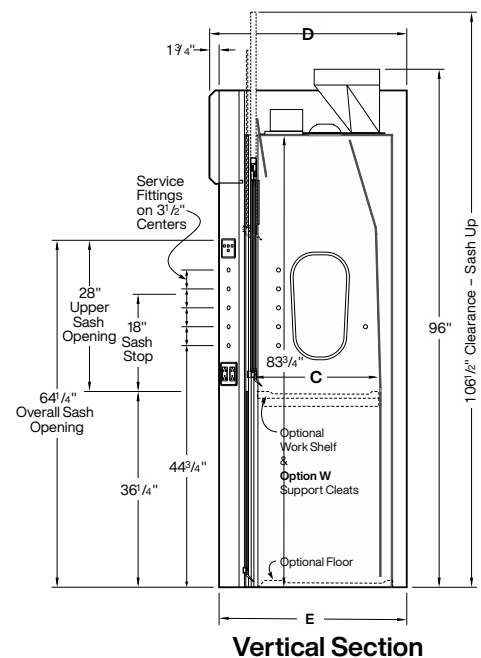
Static pressures shown are for the pressure drop through the hoods only. The total pressure drop through the hood and the duct system must be calculated to select the proper exhaust fan.

## ANSI Z9.5 Minimum Flow Rate

| Inside Depth | 150 Air Changes/Hour |             |             |             | 375 Air Changes/Hour |             |             |             |
|--------------|----------------------|-------------|-------------|-------------|----------------------|-------------|-------------|-------------|
|              | 4'-0" / 48"          | 5'-0" / 60" | 6'-0" / 72" | 8'-0" / 96" | 4'-0" / 48"          | 5'-0" / 60" | 6'-0" / 72" | 8'-0" / 96" |
| 24" deep     | 130 CFM              | 170 CFM     | 210 CFM     | 290 CFM     | 320 CFM              | 420 CFM     | 520 CFM     | 720 CFM     |
| 30" deep     | 160 CFM              | 210 CFM     | 260 CFM     | 350 CFM     | 390 CFM              | 510 CFM     | 630 CFM     | 870 CFM     |
| 36" deep     | 190 CFM              | 250 CFM     | 300 CFM     | 420 CFM     | 470 CFM              | 610 CFM     | 750 CFM     | 1030 CFM    |
| 48" deep     | 250 CFM              | 320 CFM     | 390 CFM     | 540 CFM     | 610 CFM              | 790 CFM     | 980 CFM     | 1350 CFM    |



| Dimensions – Length |     |     |     |     |
|---------------------|-----|-----|-----|-----|
| A                   | 48" | 60" | 72" | 96" |
| B                   | 39" | 51" | 63" | 87" |



| Dimensions – Depth |         |         |         |         |
|--------------------|---------|---------|---------|---------|
| C                  | 24"     | 30"     | 36"     | 48"     |
| D                  | 36 1/2" | 42 1/2" | 48 1/2" | 60 1/2" |
| E                  | 34 3/4" | 40 3/4" | 46 3/4" | 58 3/4" |