

Supreme Air Venturi Fume Hood

V65F64...

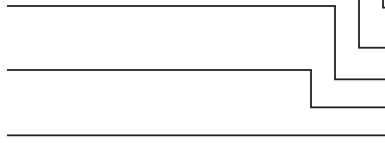
Floor Mounted Hood with Vertical Rising Sash

(indicate fittings/fixtures required)
(hole plugged if no fitting specified)

(indicate fittings/fixtures required)
(hole plugged if no fitting specified)

[Option K - Fan/Blower Switch]

Light/Sash Stop Controller



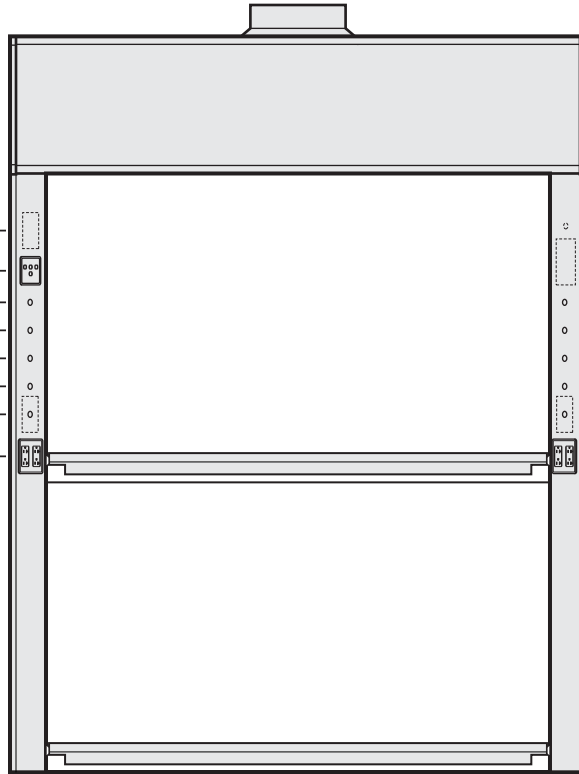
[Water]

[Option P1 - Cord Port]

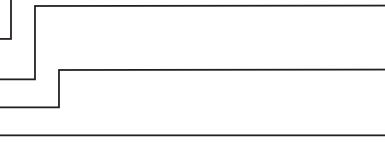
120VAC GFCI Double Duplex

Pre-piping: (pick one if required)

- IN** Installed (no piping)
- PU** Pre-piped Up
- PD** Pre-piped Down
- SP** Pre-piped Single Point
 - Up - Left Side
 - Up - Right Side



[Option A1/A3 Alarm]



[Water]

[Option P1 - Cord Port]

120VAC GFCI Double Duplex

Receptacles: (pick one)

- S** Spec. Grade GFCI
- H** Hospital Grade GFCI

Receptacle Color: (pick one)

- K** Black **V** Ivory
- W** White **G** Grey
- R** Red

Wiring: (pick if required)

- U** Pre-wired - Top of Hood

- Length:** (pick one only)
 48" 60" 72" 96"
- Interior Depth:** (pick one only)
 24" 30" 36" 48"

Required Options: (pick one from each group)

- Interior Liner Material** (pick one)
- G** Kemglass (Fiberglass Reinforced Polyester)
 - L** Type 316L Stainless Steel
 - S** Type 304L Stainless Steel
 - T** Phenolic Resin
- Sash Frame** (pick one)
- N** Frameless
 - M** Powder Coated Steel Frame
 - S** Type 304L Stainless Steel Frame
- Sash Glass** (pick one)
- G1** Laminated Safety Glass
 - G2** Tempered Safety Glass
 - G3** Polycarbonate
- Service Fitting Valve Type** (pick one)
- F1** Rod Control Needle Valves
 - F3** Front Load Needle Valves

V Modified By-pass for VAV Control System

VAV Controller Manf: _____

Model: _____

Minimum CFM:

Add-on Options: (pick all required)

- A1** Air Alert 600 Alarm
- A3** Air Alert 300 Alarm
- L** Sash Stop Label
- D** Distillation Rack - Preparation
- E** Fire Suppression System
- S** Safety Shield
- T** Tissue Screen
- P1** Cord Ports - one in each post
- W** Work Shelf Supports (4, 5, & 6 foot hoods only)
- B1** Vapor Proof Light
- B2** Explosion Proof Light
- K** Fan/Blower Switch - (1hp motor rated)
- Q** Stainless Steel Sash Pulls (bottom sash only)
- C** Stainless Steel Duct Collar
- R3** Proximity Sash Operator

Sash Height	Inside Depth	Overall Length	Hood Liner	Sash Frame	Sash Glass	Service Fittings	Electrical Fixtures	Add-on Options (separated by commas)	COLOR	ITEM NO.	QUANTITY
V65F 64	<input type="text"/>	<input type="text"/>	<input type="text"/>	<input type="text"/>	<input type="text"/>	<input type="text"/>	<input type="text"/>	_____			

Technical Information

V65F64...

Airflow (CFM) Requirements

Face Velocity	28" High Sash Opening							
	4'-0" / 48"		5'-0" / 60"		6'-0" / 72"		8'-0" / 96"	
	CFM	SP	CFM	SP	CFM	SP	CFM	SP
120 FPM	992	0.56	1297	0.70	1602	0.88	2212	0.61
100 FPM	827	0.39	1081	0.50	1335	0.62	1843	0.43
80 FPM	661	0.26	865	0.32	1068	0.41	1475	0.28

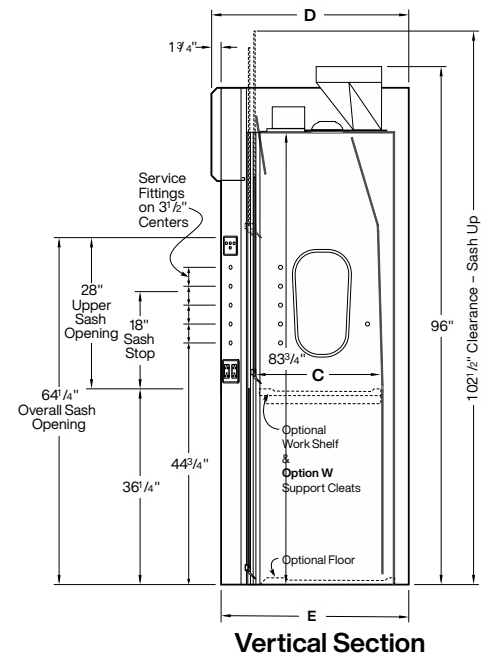
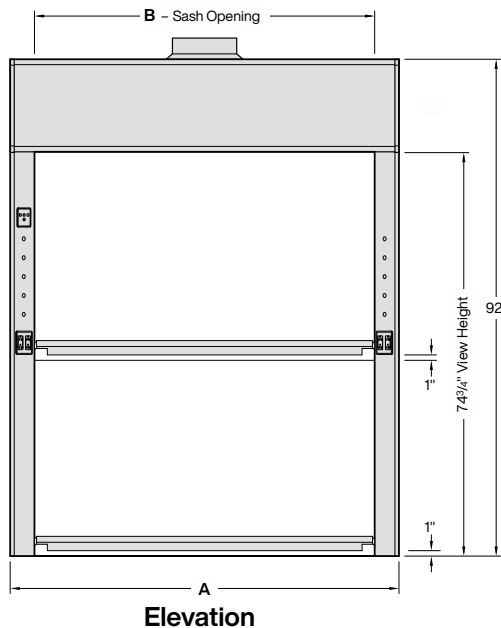
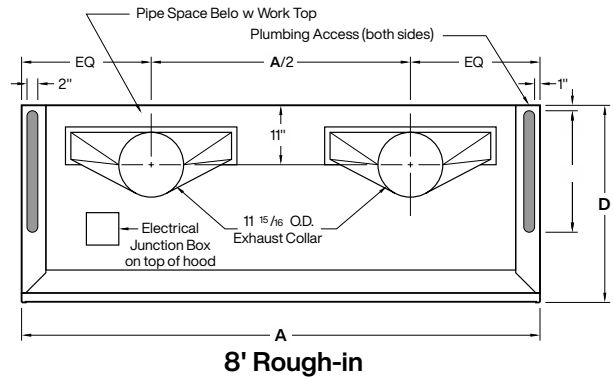
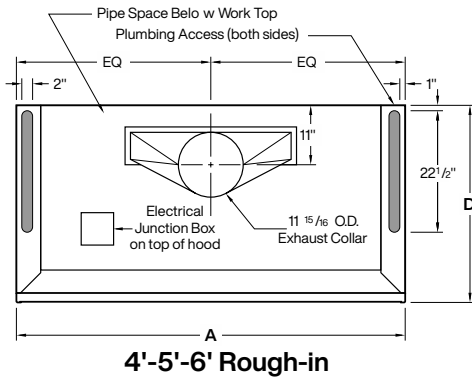
Face Velocity	18" High Sash Opening							
	4'-0" / 48"		5'-0" / 60"		6'-0" / 72"		8'-0" / 96"	
	CFM	SP	CFM	SP	CFM	SP	CFM	SP
120 FPM	667	0.26	872	0.33	1077	0.41	1487	0.28
100 FPM	556	0.18	727	0.23	897	0.29	1239	0.20
80 FPM	445	0.12	581	0.15	718	0.19	991	0.13

Static pressures shown are for the pressure drop through the hoods only. The total pressure drop through the hood and the duct system must be calculated to select the proper exhaust fan.

ANSI Z9.5 Minimum Flow Rate

Inside Depth	150 Air Changes/Hour			
	4'-0" / 48"	5'-0" / 60"	6'-0" / 72"	8'-0" / 96"
24" deep	130 CFM	170 CFM	210 CFM	290 CFM
30" deep	160 CFM	210 CFM	260 CFM	350 CFM
36" deep	190 CFM	250 CFM	300 CFM	420 CFM
48" deep	250 CFM	320 CFM	390 CFM	540 CFM

Inside Depth	375 Air Changes/Hour			
	4'-0" / 48"	5'-0" / 60"	6'-0" / 72"	8'-0" / 96"
24" deep	320 CFM	420 CFM	520 CFM	720 CFM
30" deep	390 CFM	510 CFM	630 CFM	870 CFM
36" deep	470 CFM	610 CFM	750 CFM	1030 CFM
48" deep	610 CFM	790 CFM	980 CFM	1350 CFM



Dimensions - Length				
A	48"	60"	72"	96"
B	39"	51"	63"	87"

Dimensions - Depth				
C	24"	30"	36"	48"
D	36 1/2"	42 1/2"	48 1/2"	60 1/2"
E	34 3/4"	40 3/4"	46 3/4"	58 3/4"