

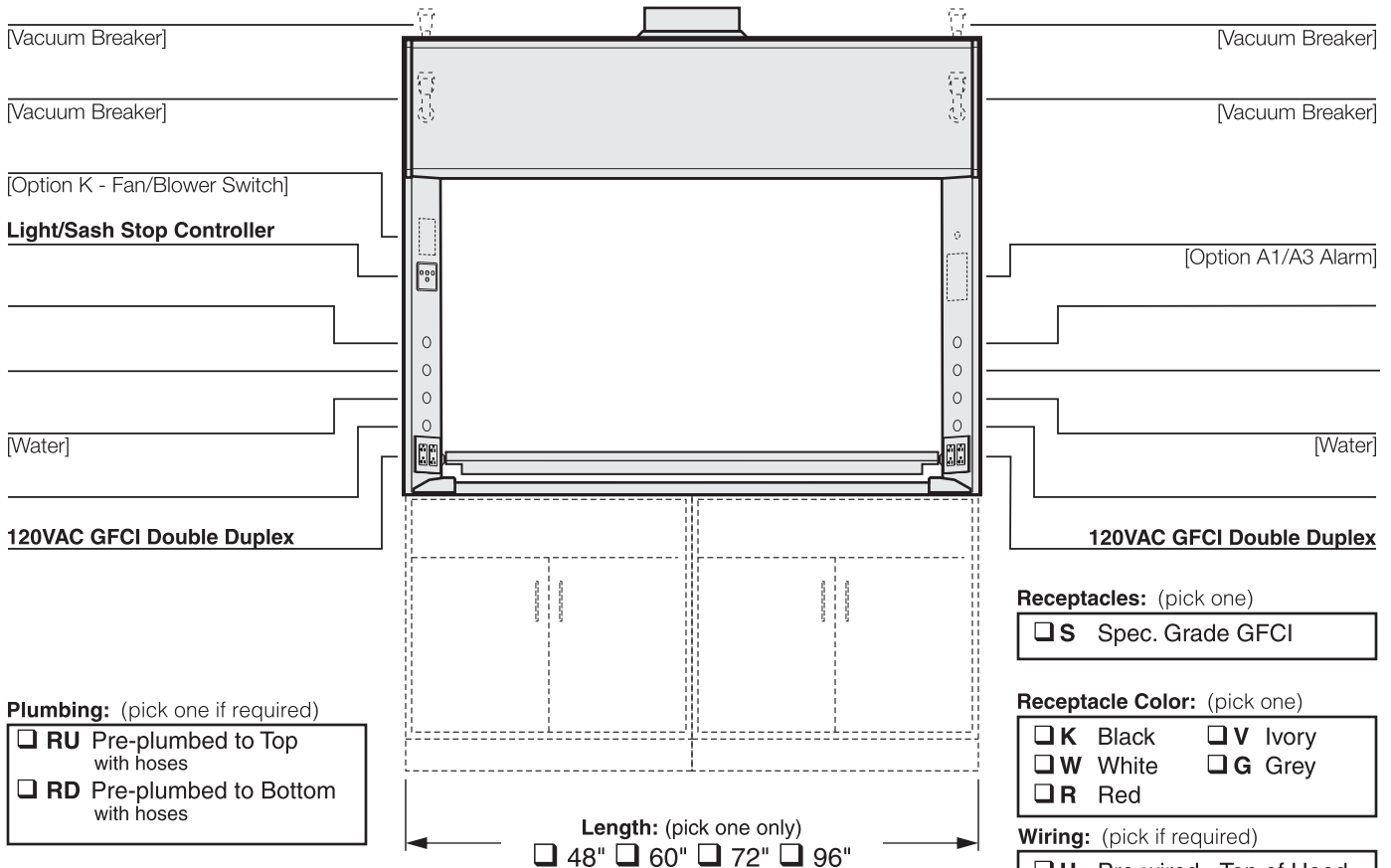
# TruView Venturi Fume Hood

# V50F...

Teaching/Demonstration Bench Hood with Vertical Rising Sash — Single-sided

(indicate fittings/fixtures required)  
(hole plugged if no fitting specified)

(indicate fittings/fixtures required)  
(hole plugged if no fitting specified)



**Plumbing:** (pick one if required)

- RU** Pre-plumbed to Top with hoses
- RD** Pre-plumbed to Bottom with hoses

**Receptacles:** (pick one)

- S** Spec. Grade GFCI

**Receptacle Color:** (pick one)

- K** Black       **V** Ivory
- W** White       **G** Grey
- R** Red

**Wiring:** (pick if required)

- U** Pre-wired - Top of Hood
- U2** Pre-wired - Vapor Proof

**Required:** (pick one from each group)

- Rear Window Configuration** (pick one)
  - SB** Solid Back Wall & Baffles
  - CB** Glass Back Wall & Baffles
- Interior Liner Material** (pick one)
  - G** Kemglass (Fiberglass Reinforced Polyester)
- Sash Frame** (pick one)
  - N** Frameless
  - M** Powder Coated Steel Frame
  - S** Type 304L Stainless Steel Frame
- Sash Glass** (pick one)
  - G1** Laminated Safety Glass
  - G2** Tempered Safety Glass
- Service Fitting Valve Type** (pick one)
  - F4** Front Load (Watersaver or FAR)
- Hood Configuration** (pick one)
  - SA** Stand Alone (Free standing)
  - LE** Left End (Left end of run)
  - RE** Right End (Right end of run)
  - AD** Add-on (Middle of run)

**Options:** (pick all required)

- N1** Solid Left Window (Kemglass panel w/frame)
- N2** Solid Right Window (Kemglass panel w/frame)
- N3** Solid L & R Window (Kemglass panel w/frame) (pick one only)
- A1** Air Alert 600 Alarm
- A3** Air Alert 300 Alarm (pick one only)
- L** Sash Stop Label
- D** Distillation Rack Preparation
- T** Tissue Screen
- K** Fan/Blower Switch (1hp motor rated)
- O** Stainless Steel Airfoil - Type 304L
- O2** Stainless Steel Airfoil - Type 316L
- Q** Stainless Steel Sash Pulls
- C** Stainless Steel Duct Collar
- R1** Auto Sash Return (pick one only)
- R3** Proximity Sash Operator (pick one only)

**V** Modified By-pass for VAV Control System

Controller Manf: \_\_\_\_\_  
Model: \_\_\_\_\_ Minimum CFM:

Overall Length	Back Config.	Hood Liner	Sash Frame	Sash Glass	Service Fittings	Electrical Fixtures	Hood Config.	Options (separated by commas)	COLOR	ITEM NO.	QUANTITY
<b>V50F</b>	<input type="text"/>	<input type="text"/>	<b>G</b>	<input type="text"/>	<b>F4</b>	<input type="text"/>	<input type="text"/>	_____			

# Technical Information

# V50F...

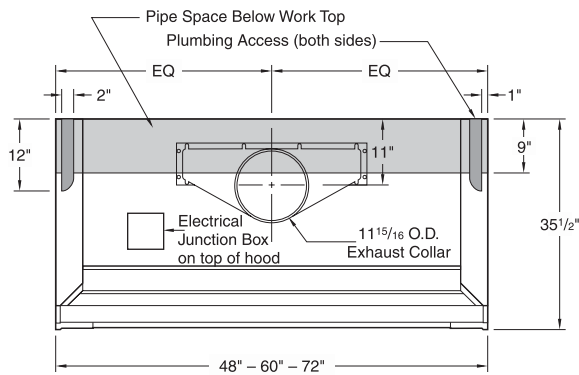
## Airflow (CFM) Requirements

Face Velocity	28" High Sash Opening								18" High Sash Opening							
	4'-0" / 48"		5'-0" / 60"		6'-0" / 72"		8'-0" / 96"		4'-0" / 48"		5'-0" / 60"		6'-0" / 72"		8'-0" / 96"	
	CFM	SP	CFM	SP	CFM	SP	CFM	SP	CFM	SP	CFM	SP	CFM	SP	CFM	SP
100 FPM	772	0.35	1010	0.44	1247	0.55	1722	0.38	502	0.15	656	0.19	810	0.24	1118	0.16
80 FPM	618	0.23	808	0.29	998	0.36	1378	0.25	401	0.10	525	0.13	648	0.16	895	0.11
60 FPM	464	0.13	606	0.16	749	0.21	1034	0.14	301	0.06	394	0.07	486	0.09	671	0.06
50 FPM	386	0.09	506	0.12	624	0.15	861	0.10	251	0.04	328	0.05	405	0.07	559	0.04

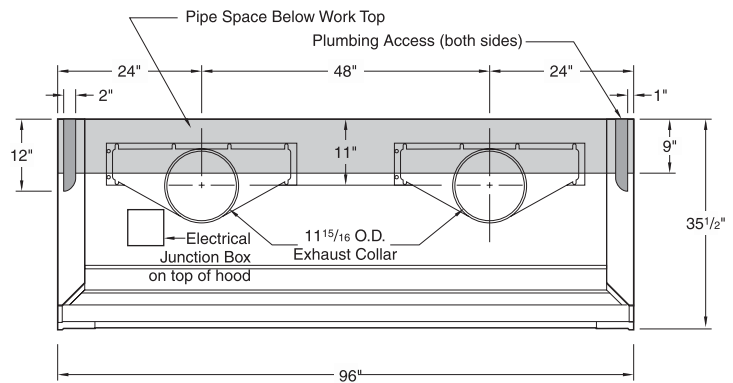
Static pressures shown are for the pressure drop through the hoods only. The total pressure drop through the hood and the duct system must be calculated to select the proper exhaust fan.

## ANSI Z9.5 Minimum Flow Rate

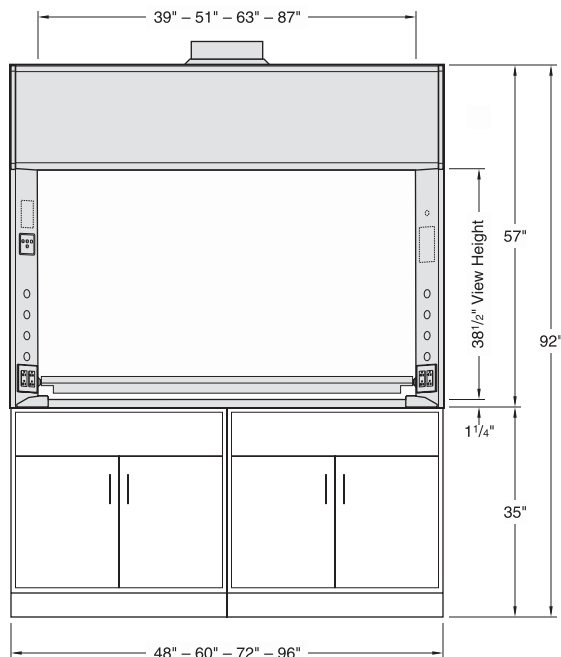
Inside Depth	150 Air Changes/Hour				375 Air Changes/Hour			
	4'-0" / 48"	5'-0" / 60"	6'-0" / 72"	8'-0" / 96"	4'-0" / 48"	5'-0" / 60"	6'-0" / 72"	8'-0" / 96"
24" deep	70 CFM	90 CFM	110 CFM	145 CFM	170 CFM	220 CFM	235 CFM	365 CFM



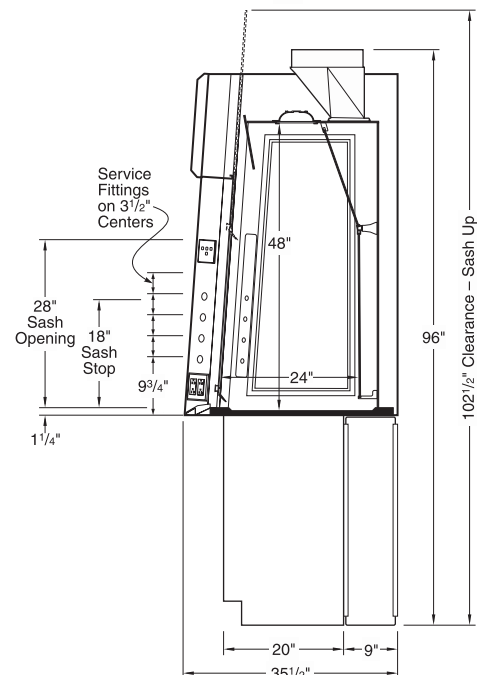
**4'-5'-6' Rough-in**



**8' Rough-in**



**Elevation**



**Vertical Section**