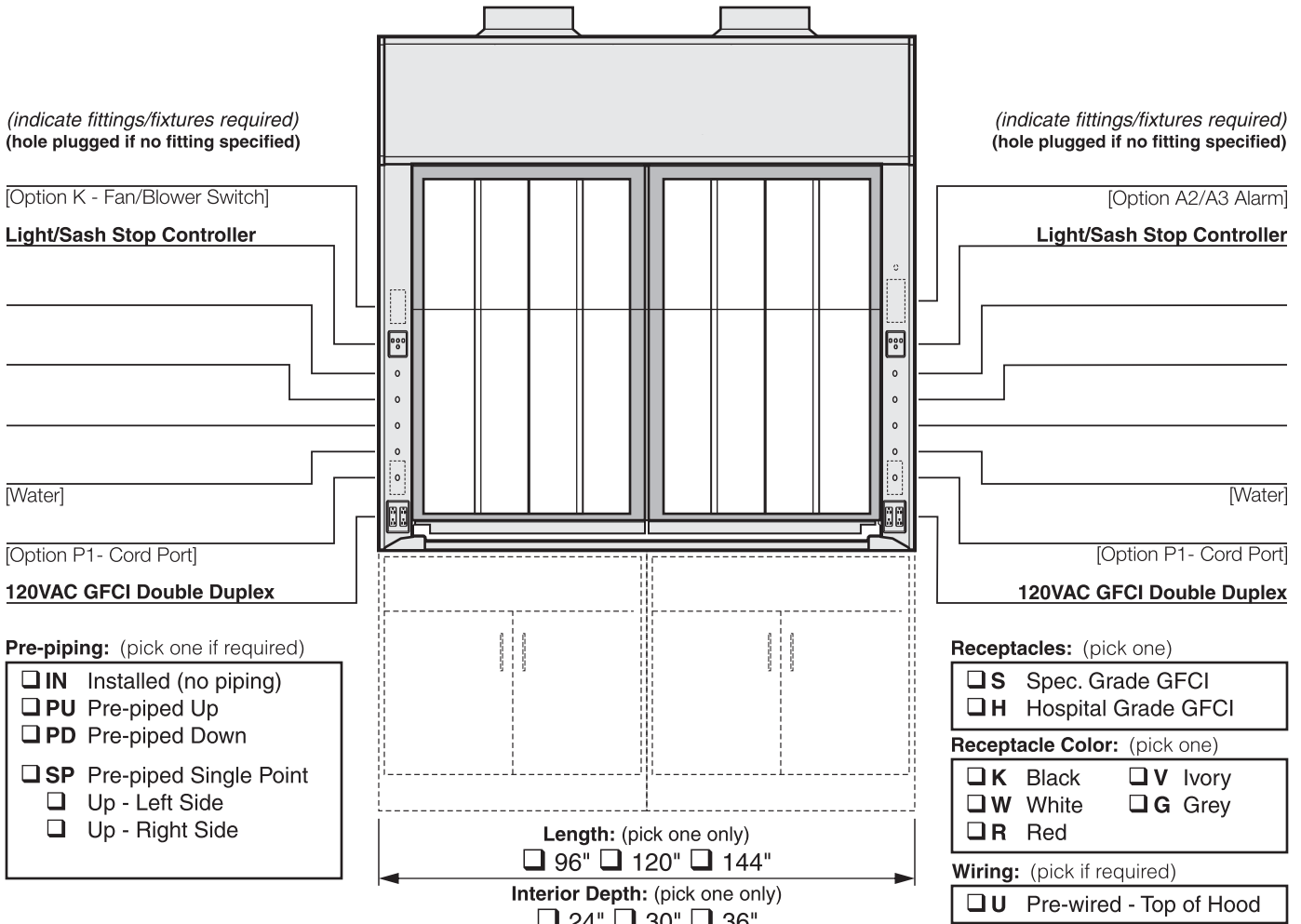


Supreme Air Venturi Fume Hood

V36F28...

LX Series 60" Interior Height Bench Hood with 28" Split Combination Vertical Rising/Horizontal Sash



Required Options: (pick one from each group)

Interior Liner Material (pick one)

- G** Kemglass (Fiberglass Reinforced Polyester)
- L** Type 316L Stainless Steel
- S** Type 304L Stainless Steel
- T** Phenolic Resin

Sash Frame (pick one)

- M** Powder Coated Steel Frame
- S** Type 304L Stainless Steel Frame

Sash Glass (pick one)

- G1** Laminated Safety Glass
- G2** Tempered Safety Glass
- G3** Polycarbonate

Service Fitting Valve Type (pick one)

- F1** Rod Control Needle Valves
- F3** Front Load Needle Valves

V Modified By-pass for VAV Control System

VAV Controller Manf: _____

Model: _____

Minimum CFM:

Add-on Options: (pick all required)

- A2** Air Alert 600 Alarm
- A3** Air Alert 300 Alarm
- L** Sash Stop Label
- D** Distillation Rack - Preparation
- E** Fire Suppression System
- T** Tissue Screen
- P1** Cord Ports - one in each post
- B1** Vapor Proof Light
- B2** Explosion Proof Light
- K** Fan/Blower Switch - (1hp motor rated)
- O** Stainless Steel Airfoil - Type 304L
- O2** Stainless Steel Airfoil - Type 316L
- Q** Stainless Steel Sash Pulls
- C** Stainless Steel Duct Collar
- R3** Proximity Sash Operator

(pick only one)

V36F28	Sash Height	Inside Depth	Overall Length	Hood Liner	Sash Frame	Sash Glass	Service Fittings	Electrical Fixtures	Add-on Options (separated by commas)	COLOR	ITEM NO.	QUANTITY

Technical Information

V36F28...

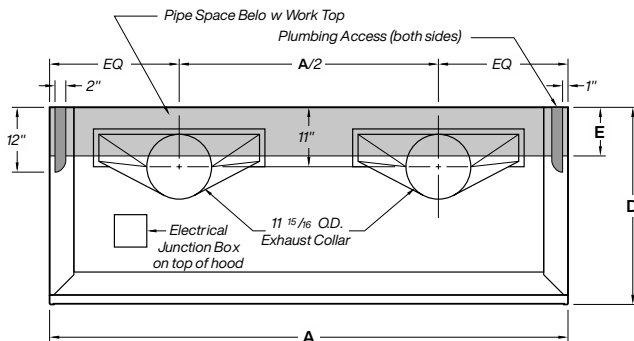
Airflow (CFM) Requirements

Face Velocity	18" High Sash Opening						Sash Closed – Panel Full Open					
	8'-0" / 96"		10'-0" / 120"		12'-0" / 144"		8'-0" / 96"		10'-0" / 120"		12'-0" / 144"	
	CFM	SP	CFM	SP	CFM	SP	CFM	SP	CFM	SP	CFM	SP
100 FPM	1118	0.16	1427	0.21	1735	0.26	954	0.12	1240	0.16	1526	0.21
80 FPM	895	0.11	1141	0.14	1388	0.17	763	0.08	992	0.10	1221	0.13
60 FPM	671	0.06	856	0.08	1041	0.10	573	0.05	744	0.06	916	0.08

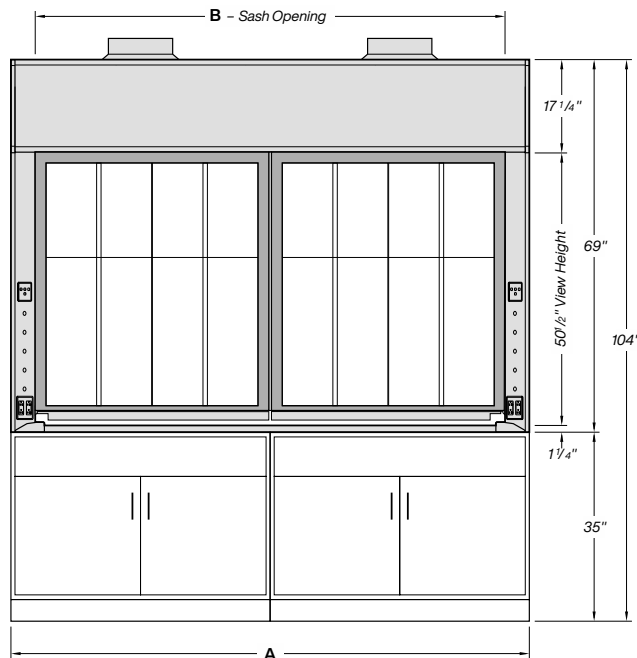
Static pressures shown are for the pressure drop through the hoods only. The total pressure drop through the hood and the duct system must be calculated to select the proper exhaust fan.

ANSI Z9.5 Minimum Flow Rate

Inside Depth	150 Air Changes/Hour			375 Air Changes/Hour		
	8'-0" / 96"	10'-0" / 120"	12'-0" / 144"	8'-0" / 96"	10'-0" / 120"	12'-0" / 144"
24" deep	210 CFM	260CFM	320CFM	510 CFM	650CFM	790CFM
30" deep	250CFM	320CFM	390CFM	620CFM	790CFM	960CFM
36" deep	300CFM	380CFM	460CFM	740 CFM	940CFM	1140 CFM

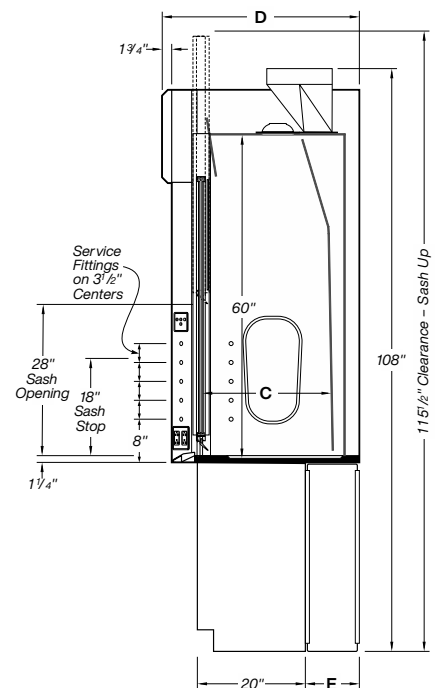


8'-10'-12' Rough-in



Elevation

Dimensions - Length			
A	96"	120"	144"
B	39"	111"	135"



Vertical Section

Dimensions - Depth			
C	24"	30"	36"
D	36 1/2"	42 1/2"	48 1/2"
E	9"	15"	21"