

Supreme Air Venturi Fume Hood

V11F28...

General Purpose Bench Hood with Split Combination Vertical Rising/Horizontal Sash

(indicate fittings/fixtures required)
(hole plugged if no fitting specified)

(indicate fittings/fixtures required)
(hole plugged if no fitting specified)

[Option K - Fan/Blower Switch]

[Option A2/A3 Alarm]

Light/Sash Stop Controller

Light/Sash Stop Controller

[Water]

[Water]

[Option P1 - Cord Port]

[Option P1 - Cord Port]

120VAC GFCI Double Duplex

120VAC GFCI Double Duplex

Pre-piping: (pick one if required)

- IN** Installed (no piping)
- PU** Pre-piped Up
- PD** Pre-piped Down
- SP** Pre-piped Single Point
 - Up - Left Side
 - Up - Right Side

Receptacles: (pick one)

- S** Spec. Grade GFCI
- H** Hospital Grade GFCI

Receptacle Color: (pick one)

- K** Black
- V** Ivory
- W** White
- G** Grey
- R** Red

Wiring: (pick if required)

- U** Pre-wired - Top of Hood

Length: (pick one only)

- 96" 120" 144"

Interior Depth: (pick one only)

- 24" 30" 36"

Required Options: (pick one from each group)

- Interior Liner Material** (pick one)
- G** Kemglass (Fiberglass Reinforced Polyester)
 - L** Type 316L Stainless Steel
 - S** Type 304L Stainless Steel
 - T** Phenolic Resin

Sash Frame (pick one)

- N** Frameless
- M** Powder Coated Steel Frame
- S** Type 304L Stainless Steel Frame

Sash Glass (pick one)

- G1** Laminated Safety Glass
- G2** Tempered Safety Glass
- G3** Polycarbonate

Service Fitting Valve Type (pick one)

- F1** Rod Control Needle Valves
- F3** Front Load Needle Valves

V Modified By-pass for VAV Control System

VAV Controller Manf: _____

Model: _____

Minimum CFM:

Add-on Options: (pick all required)

- A2** Air Alert 600 Alarm
- A3** Air Alert 300 Alarm
- L** Sash Stop Label
- D** Distillation Rack - Preparation
- E** Fire Suppression System
- S** Safety Shield
- T** Tissue Screen
- P1** Cord Ports - one in each post
- B1** Vapor Proof Light
- B2** Explosion Proof Light
- K** Fan/Blower Switch - (1hp motor rated)
- O** Stainless Steel Airfoil - Type 304L
- O2** Stainless Steel Airfoil - Type 316L
- Q** Stainless Steel Sash Pulls
- C** Stainless Steel Duct Collar
- R3** Proximity Sash Operator

V11F28	Sash Height	Inside Depth	Overall Length	Hood Liner	Sash Frame	Sash Glass	Service Fittings	Electrical Fixtures	Add-on Options (separated by commas)	COLOR	ITEM NO.	QUANTITY
<input type="text"/>	<input type="text"/>	<input type="text"/>	<input type="text"/>	<input type="text"/>	<input type="text"/>	<input type="text"/>	<input type="text"/>	<input type="text"/>	<input type="text"/>	<input type="text"/>	<input type="text"/>	<input type="text"/>

Technical Information

V11F28...

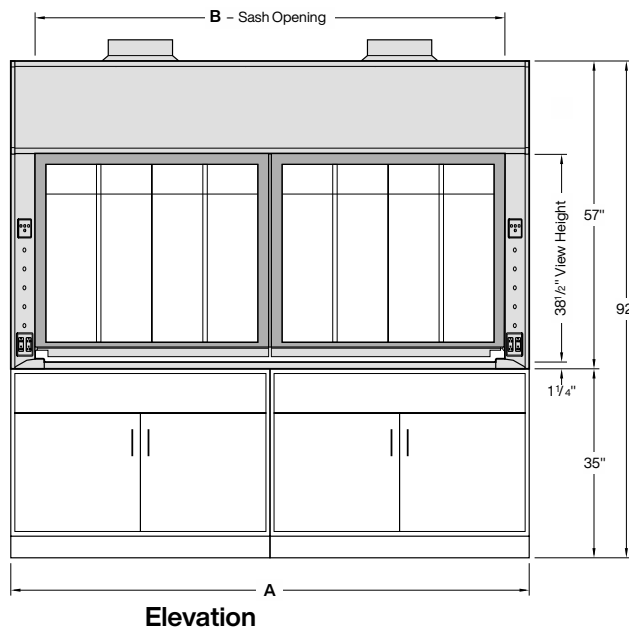
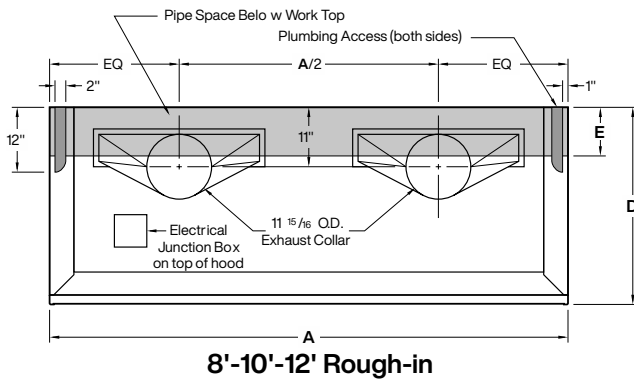
Airflow (CFM) Requirements

Face Velocity	18" High Sash Opening						Sash Closed – Panels Full Open					
	8'-0" / 96"		10'-0" / 120"		12'-0" / 144"		8'-0" / 96"		10'-0" / 120"		12'-0" / 144"	
	CFM	SP	CFM	SP	CFM	SP	CFM	SP	CFM	SP	CFM	SP
100 FPM	1118	0.16	1427	0.21	1735	0.26	954	0.12	1240	0.16	1526	0.21
80 FPM	895	0.11	1141	0.14	1388	0.17	763	0.08	992	0.10	1221	0.13
60 FPM	671	0.06	856	0.08	1041	0.10	573	0.05	744	0.06	916	0.08
50 FPM	559	0.04	714	0.06	868	0.07	477	0.03	620	0.04	763	0.06

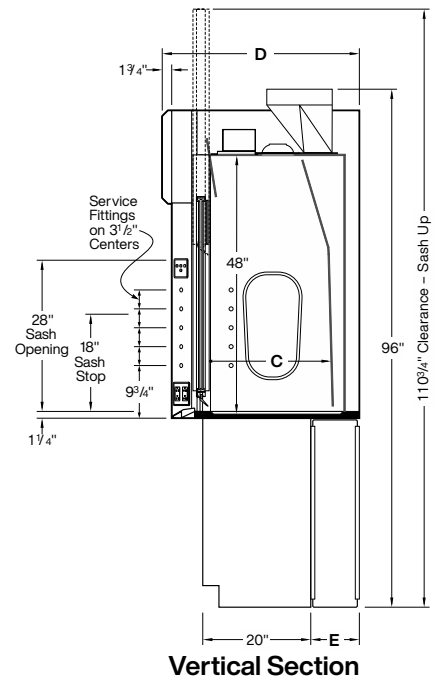
Static pressures shown are for the pressure drop through the hoods only. The total pressure drop through the hood and the duct system must be calculated to select the proper exhaust fan.

ANSI Z9.5 Minimum Flow Rate

Inside Depth	150 Air Changes/Hour			375 Air Changes/Hour		
	8'-0" / 96"	10'-0" / 120"	12'-0" / 144"	8'-0" / 96"	10'-0" / 120"	12'-0" / 144"
24" deep	170 CFM	210 CFM	260 CFM	410 CFM	520 CFM	630 CFM
30" deep	200 CFM	260 CFM	310 CFM	500 CFM	630 CFM	770 CFM
36" deep	240 CFM	300 CFM	370 CFM	590 CFM	750 CFM	910 CFM



Dimensions - Length			
A	96"	120"	144"
B	39"	111"	135"



Dimensions - Depth			
C	24"	30"	36"
D	36 1/2"	42 1/2"	48 1/2"
E	9"	15"	21"