

Supreme Air Venturi Fume Hood

V07F31...

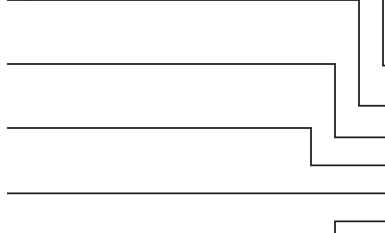
General Purpose Bench Hood with Horizontal Sash

(indicate fittings/fixtures required)
(hole plugged if no fitting specified)

(indicate fittings/fixtures required)
(hole plugged if no fitting specified)

[Option K - Fan/Blower Switch]

Light Controller



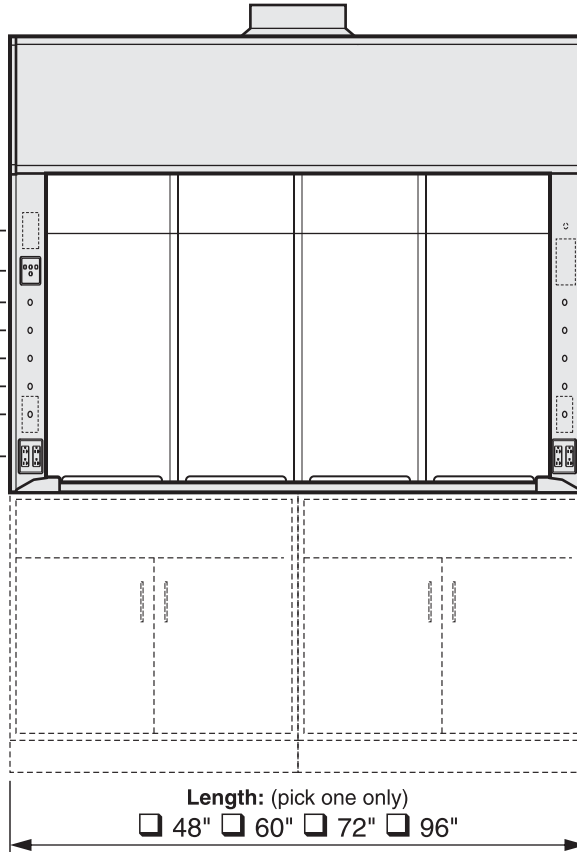
[Water]

[Option P1 - Cord Port]

120VAC GFCI Double Duplex

Pre-piping: (pick one if required)

- IN** Installed (no piping)
- PU** Pre-piped Up
- PD** Pre-piped Down
- SP** Pre-piped Single Point
 - Up - Left Side
 - Up - Right Side



[Option A2/A3 Alarm]

[Water]

[Option P1 - Cord Port]

120VAC GFCI Double Duplex

Receptacles: (pick one)

- S** Spec. Grade GFCI
- H** Hospital Grade GFCI

Receptacle Color: (pick one)

- K** Black
- W** White
- R** Red
- V** Ivory
- G** Grey

Wiring: (pick if required)

- U** Pre-wired - Top of Hood

Length: (pick one only)
 48" 60" 72" 96"
Interior Depth: (pick one only)
 24" 30" 36"

Required Options: (pick one from each group)

- Interior Liner Material** (pick one)
- G** Kemglass (Fiberglass Reinforced Polyester)
 - L** Type 316L Stainless Steel
 - S** Type 304L Stainless Steel
 - T** Phenolic Resin

- Sash Frame** (pick one)
- N** Frameless

- Sash Glass** (pick one)
- G1** Laminated Safety Glass
 - G2** Tempered Safety Glass
 - G3** Polycarbonate

- Service Fitting Valve Type** (pick one)
- F1** Rod Control Needle Valves
 - F3** Front Load Needle Valves

- V** Modified By-pass for VAV Control System

VAV Controller Manf: _____

Model: _____

Minimum CFM:

Add-on Options: (pick all required)

- A2** Air Alert 600 Alarm
- A3** Air Alert 300 Alarm (pick only one)
- D** Distillation Rack - Preparation
- E** Fire Suppression System
- T** Tissue Screen
- P1** Cord Ports - one in each post
- B1** Vapor Proof Light
- B2** Explosion Proof Light
- K** Fan/Blower Switch - (1hp motor rated)
- O** Stainless Steel Airfoil - Type 304L
- O2** Stainless Steel Airfoil - Type 316L
- C** Stainless Steel Duct Collar

V07F	31	Sash Height	Inside Depth	Overall Length	Hood Liner	Sash Frame	Sash Glass	Service Fittings	Electrical Fixtures	Add-on Options (separated by commas)	COLOR	ITEM NO.	QUANTITY
<input type="text"/>	<input type="text"/>	<input type="text"/>	<input type="text"/>	<input type="text"/>	<input type="text"/>	<input type="text"/>	<input type="text"/>	<input type="text"/>	<input type="text"/>	<input type="text"/>	<input type="text"/>	<input type="text"/>	<input type="text"/>

Technical Information

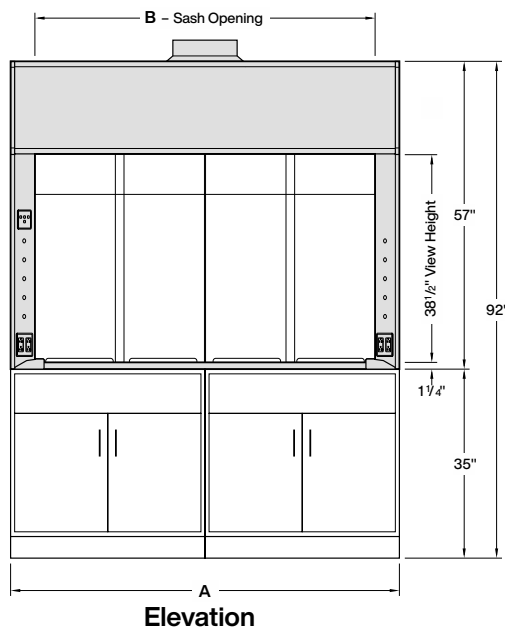
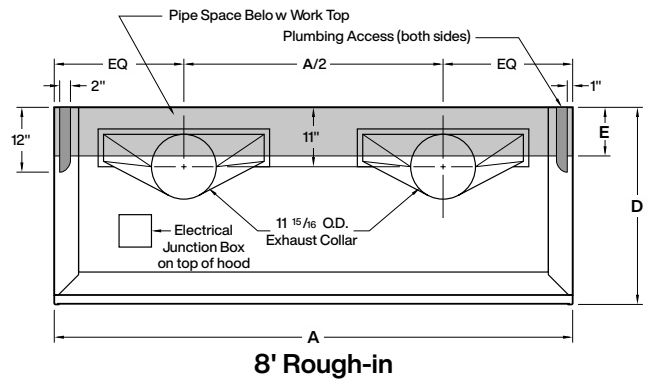
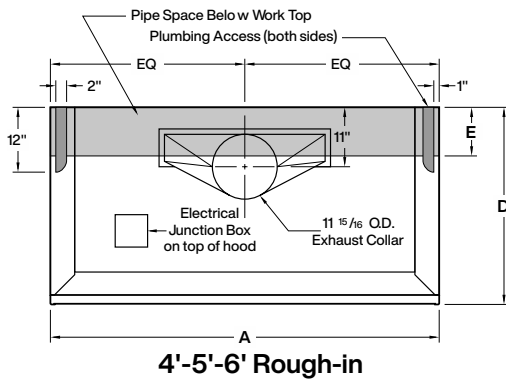
V07F31...

Airflow (CFM) Requirements

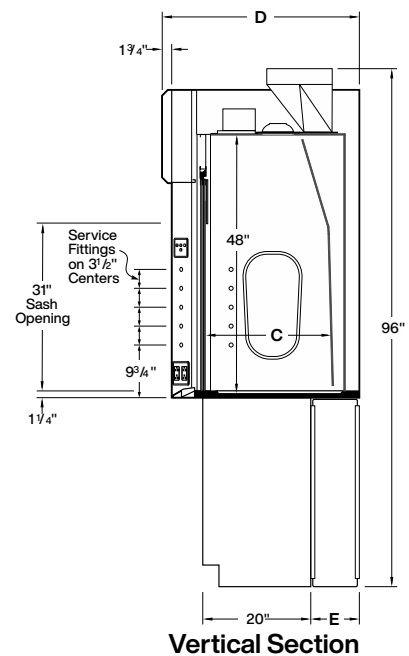
Face Velocity	Panels Fully Open							
	4'-0" / 48"		5'-0" / 60"		6'-0" / 72"		8'-0" / 96"	
	CFM	SP	CFM	SP	CFM	SP	CFM	SP
100 FPM	546	0.18	716	0.23	887	0.29	1229	0.20
80 FPM	437	0.12	573	0.15	710	0.19	983	0.13
60 FPM	328	0.07	430	0.09	533	0.11	738	0.07
50 FPM	273	0.05	358	0.06	444	0.08	615	0.05

Static pressures shown are for the pressure drop through the hoods only. The total pressure drop through the hood and the duct system must be calculated to select the proper exhaust fan.

Inside Depth	ANSI Z9.5 Minimum Flow Rate							
	150 Air Changes/Hour				375 Air Changes/Hour			
	4'-0" / 48"	5'-0" / 60"	6'-0" / 72"	8'-0" / 96"	4'-0" / 48"	5'-0" / 60"	6'-0" / 72"	8'-0" / 96"
24" deep	80 CFM	100 CFM	120 CFM	170 CFM	190 CFM	240 CFM	300 CFM	410 CFM
30" deep	90 CFM	120 CFM	150 CFM	200 CFM	230 CFM	290 CFM	360 CFM	500 CFM
36" deep	110 CFM	140 CFM	170 CFM	240 CFM	270 CFM	350 CFM	430 CFM	590 CFM



Dimensions - Length				
A	48"	60"	72"	96"
B	39"	51"	63"	87"



Dimensions - Depth			
C	24"	30"	36"
D	36 1/2"	42 1/2"	48 1/2"
E	9"	15"	21"