

# ILLUSTRATED

---

## Construction Details

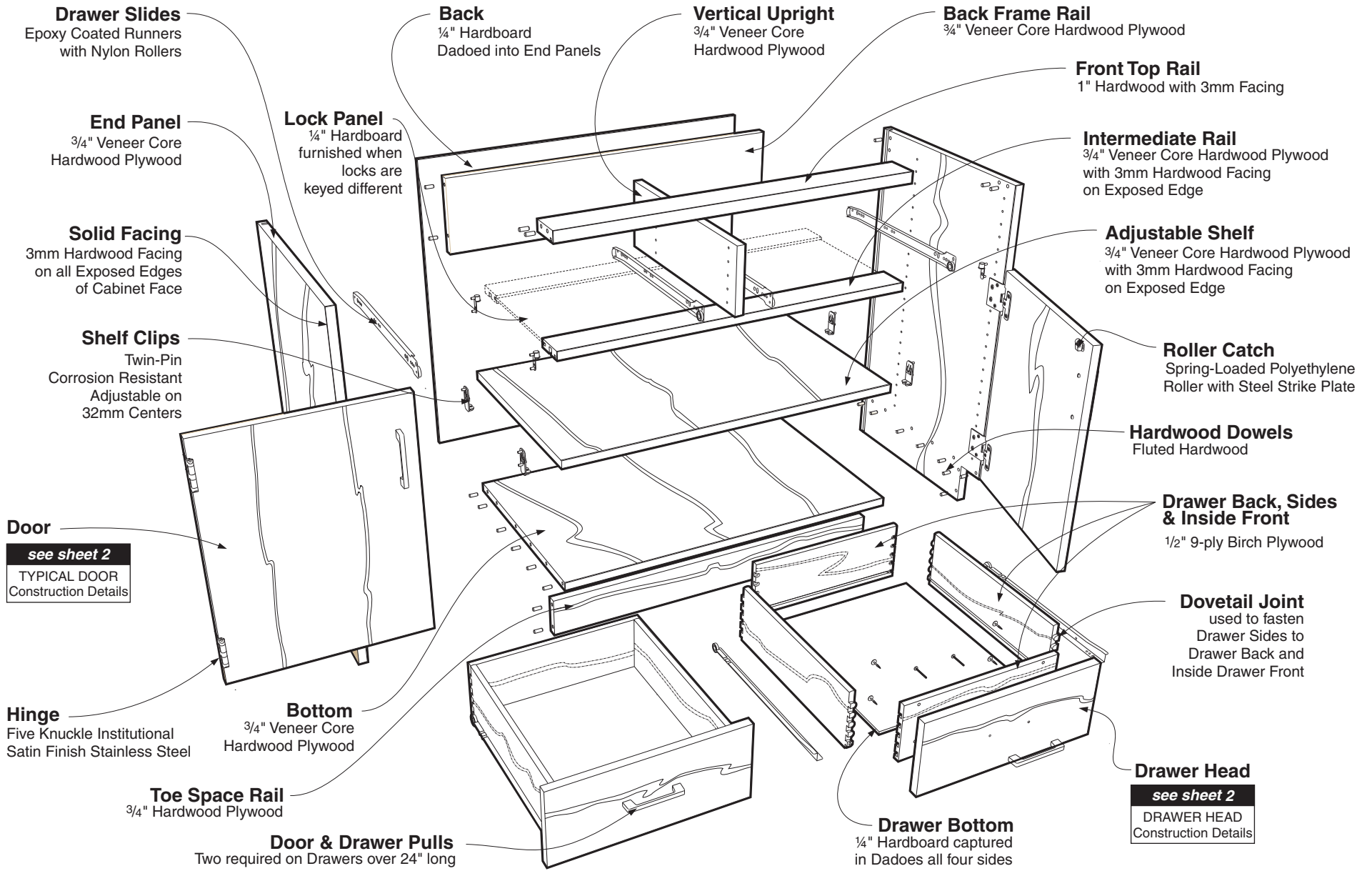
Kewaunee  
**Signature**  
Series

Quality Wood Laboratory Casework

SID-01/07

Kewaunee Scientific Corporation

PO Box 1842 • Statesville, NC 28687-1842 • Phone: 704-873-7202 • Fax: 800-932-3296  
Email: [marketing@kewaunee.com](mailto:marketing@kewaunee.com) • Web Page: [www.kewaunee.com](http://www.kewaunee.com)



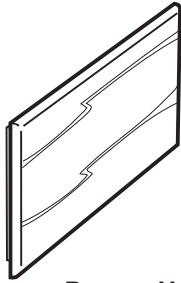
## BASE CABINET - Construction Details



Kewaunee  
**Signature**  
Series

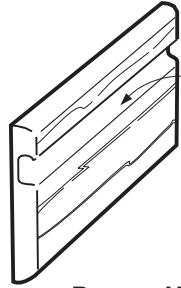
Quality Wood Laboratory Casework  
SID-01/07

**CONVENTIONAL  
STYLE 01**  
Radius Lip



**Drawer Head**  
3/4" Solid Hardwood

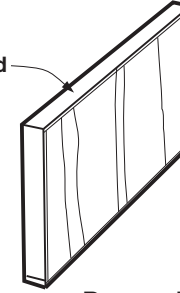
**SILHOUETTE  
STYLE 03**  
Radius Edge with Integral Pull



**Drawer Head**  
3/4" Solid Hardwood

**Integral Pull**  
Machined into  
drawer head

**CONTEMPORARY  
STYLE 05**  
Full Overlay



**Drawer Head**  
3/4" 3-ply Composite Core Plywood  
Plain Sliced Face Veneer

**3mm Hardwood  
Edge Banding**  
All four edges



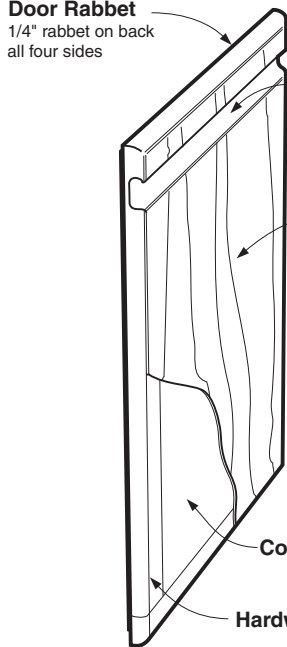
**Door**  
3/4" 3-ply Composite Core Plywood  
Plain Sliced Face Veneer

**Door Rabbet**  
7/16" rabbet on back  
all four sides

**Face Veneer**  
Front and Back

**Composite Core**

**Hardwood Core Banding**



**Door**  
1" 3-ply Composite Core Plywood  
Plain Sliced Face Veneer

**Door Rabbet**  
1/4" rabbet on back  
all four sides

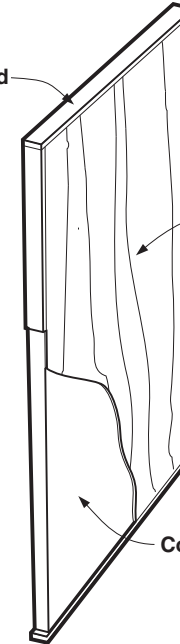
**Integral Pull**  
Machined into door

**Face Veneer**  
Front and Back

**Composite Core**

**Hardwood Core Banding**

**3mm Hardwood  
Edge Banding**  
All four edges

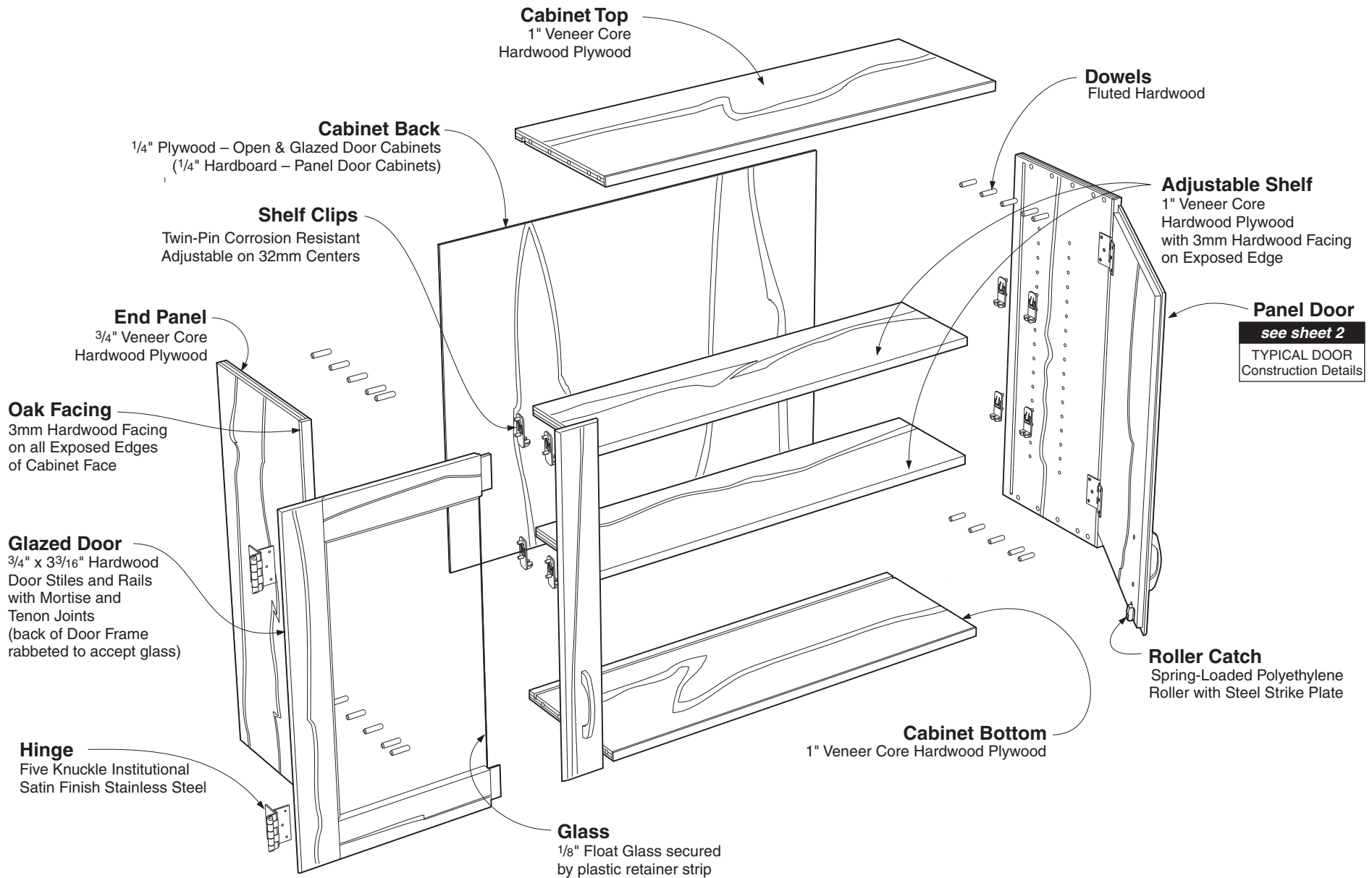


**Door**  
3/4" 3-ply Composite Core Plywood  
Plain Sliced Face Veneer

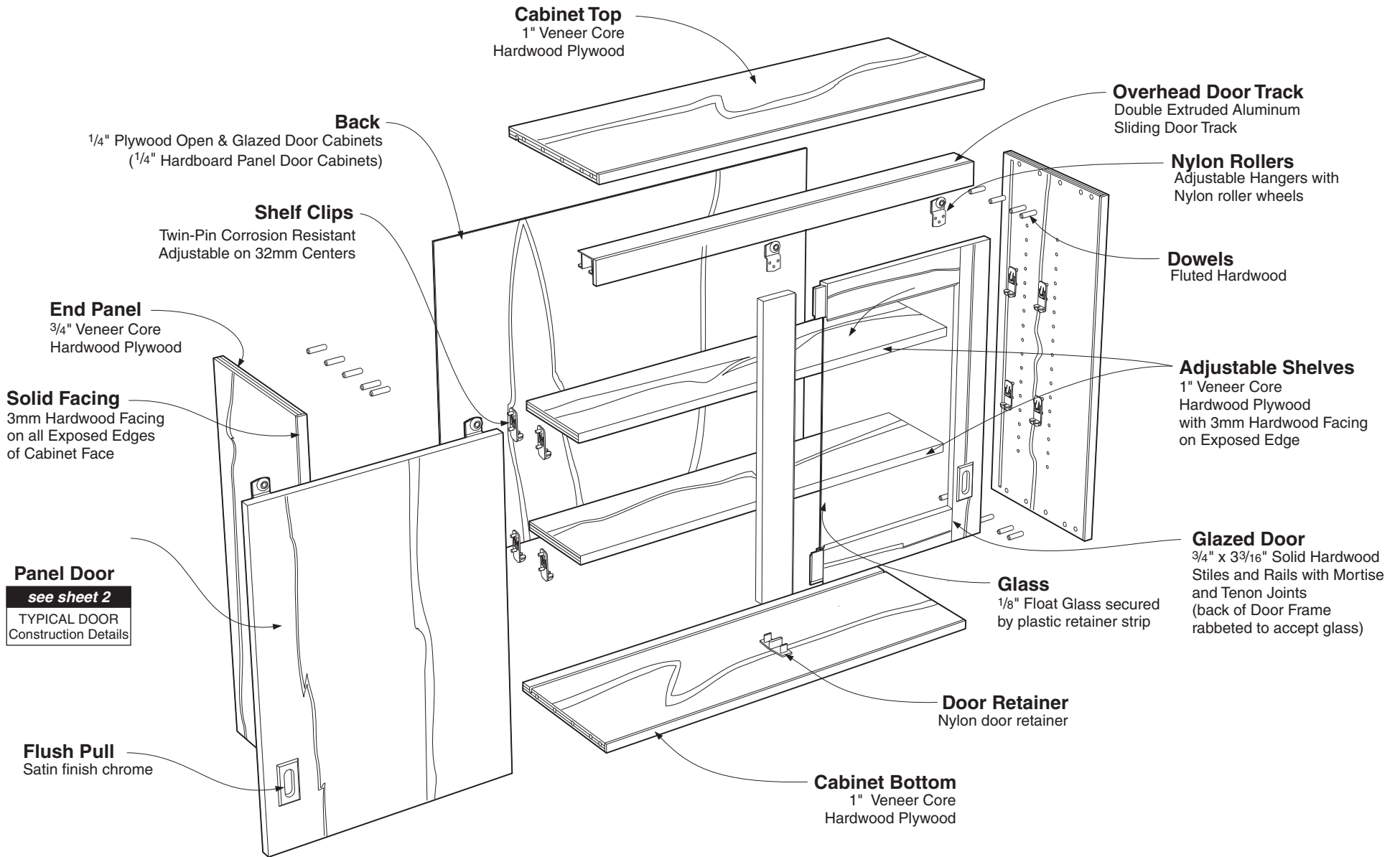
**Face Veneer**  
Front and Back

**Composite Core**

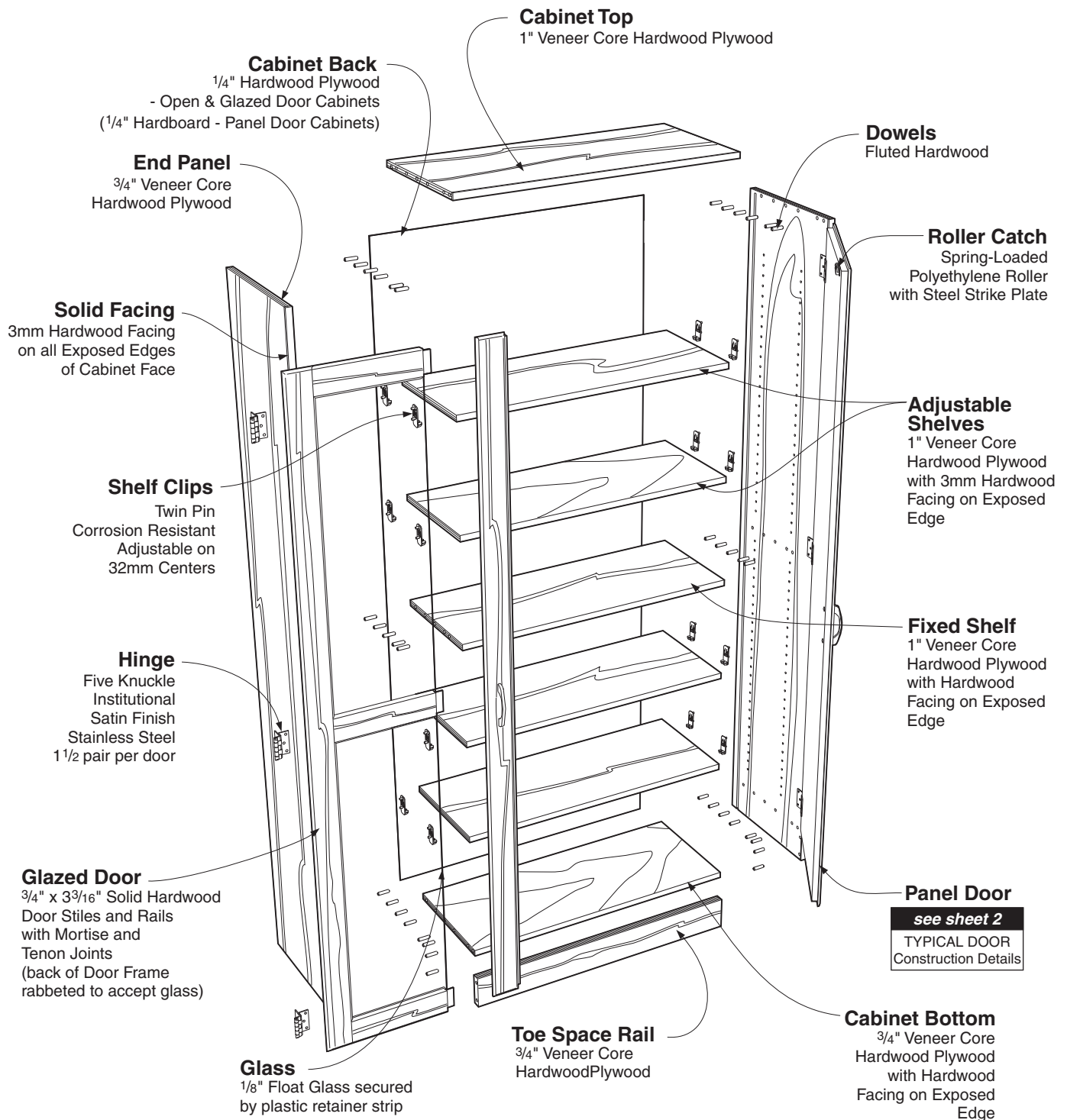
**TYPICAL DOOR & DRAWER HEAD - Construction Details**



## Swinging Door WALL MOUNTED CABINET - Construction Details



## Sliding Door WALL MOUNTED CABINET - Construction Details

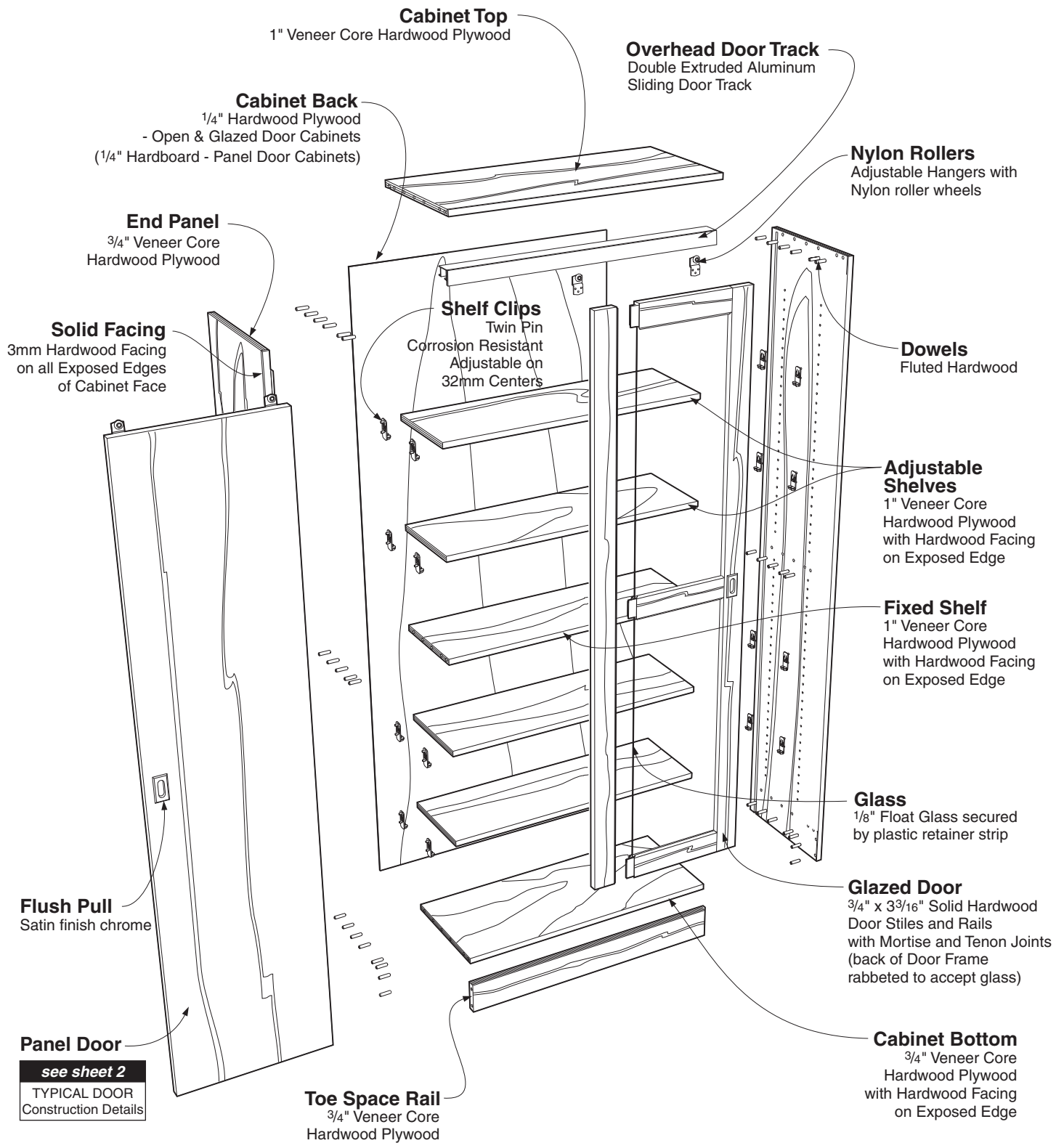


# Swinging Door FULL HEIGHT STORAGE CABINET Construction Details

Kewaunee  
**Signature**  
Series  
Quality Wood Laboratory Casework

SID-01/07

5

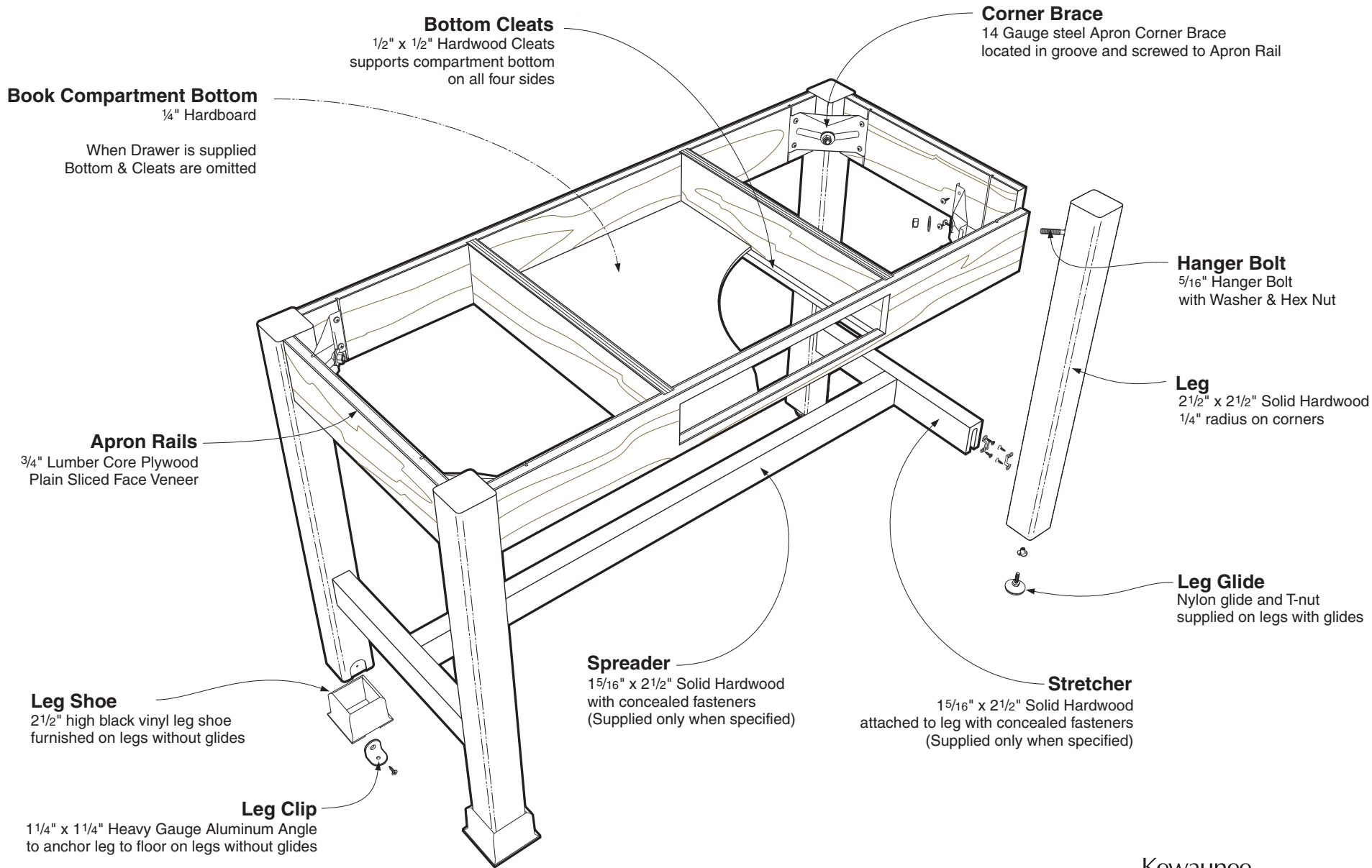


# Sliding Door FULL HEIGHT STORAGE CABINET Construction Details

Kewaunee  
**Signature**

Series  
Quality Wood Laboratory Casework

SID-01/07



## APRON ASSEMBLY - Construction Details