

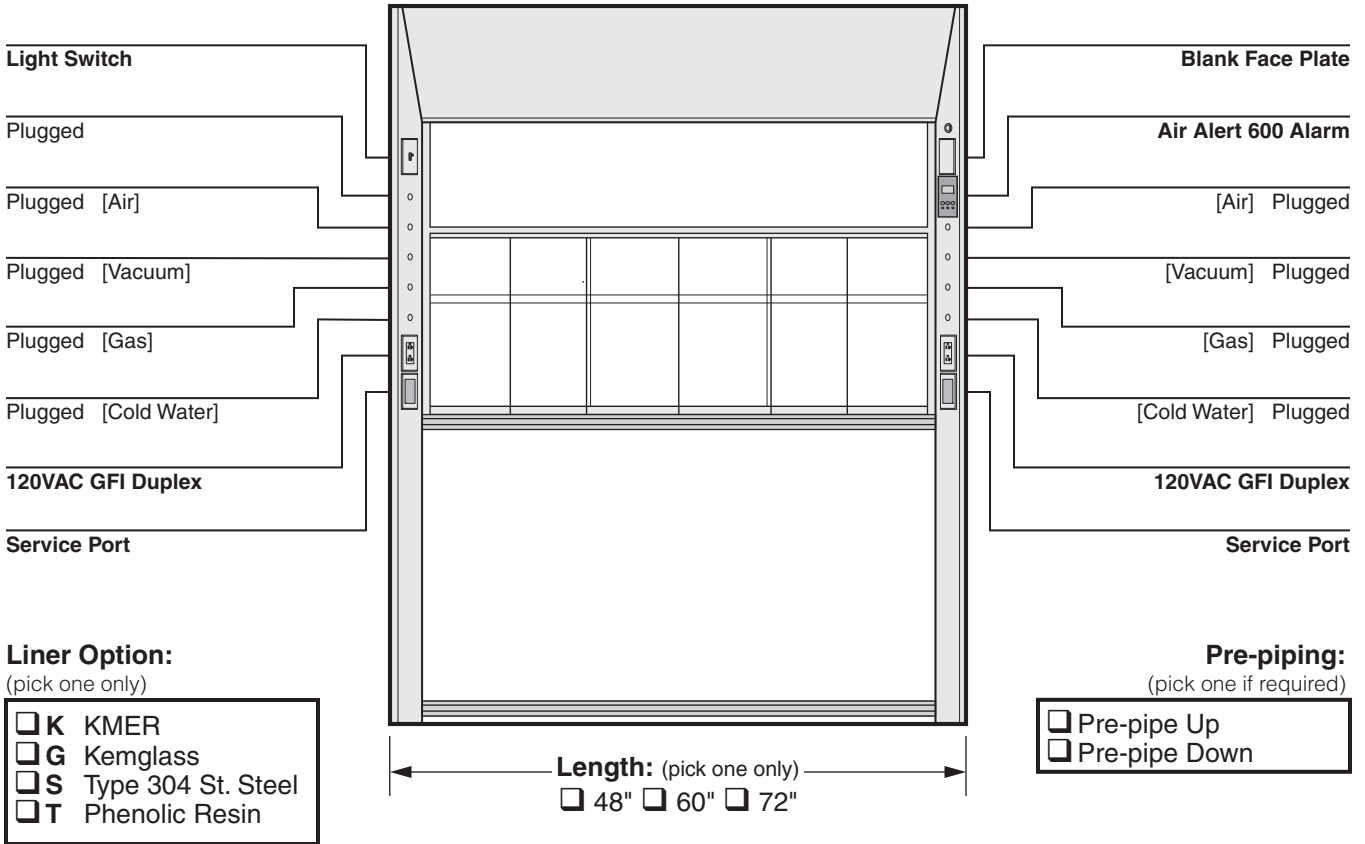
Dynamic Barrier Supreme Air Fume Hood

Four – Five – Six Foot **H52**

Low Constant Volume Walk-In Hood with Combination Vertical Rising/Horizontal Sash

(indicate fittings/fixtures required)

(indicate fittings/fixtures required)



Add On Options: (indicate options required)

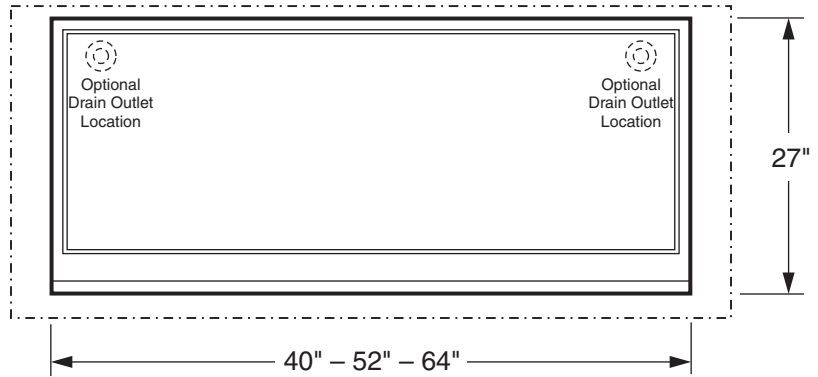
| | |
|---------------------------------------------------------------------------------------------------------------------------------------------------------------------------------------------------------------------------------------------------------------------------------------------------------------------------------------------------------------------------------------------------------------------------------------------------------------------------------------------------------------------------------------------------------------------------------------------------------------------------------------------------------------------------------------------------------------------------------------------------------------------------------------|------------------------------------------------------------------------------------------------------------------------------------------------------------------------------------------------------------------------------------------------------------------------------------------------------------------------------------------------------------------------------------------------------------|
| <p>Distillation Rack Option: (pick if required)</p> <p><input type="checkbox"/> D Distillation Rack</p> <p>Fire Extinguisher Option: (pick if required)</p> <p><input type="checkbox"/> E Fire Extinguisher</p> <p>Electric and Plumbing Options: (pick all required)</p> <p><input type="checkbox"/> G Front Load Fittings</p> <p><input type="checkbox"/> H Pre-Wired to Top of Hood</p> <p>Interior Lighting Options: (pick one only)</p> <p>Standard Fluorescent Light (T-5 Ballast)</p> <p><input type="checkbox"/> J Fluorescent Light (T-8 Ballast)</p> <p><input type="checkbox"/> K Vapor Proof Light (Incandescent)</p> <p><input type="checkbox"/> L Explosion Proof Light (Incandescent)</p> | <p>Sash Options: (pick one only)</p> <p>Standard Laminated Safety Glass Sashes</p> <p><input type="checkbox"/> 3 Tempered Glass Sashes</p> <p>Miscellaneous Options: (pick all required)</p> <p><input type="checkbox"/> 6 Tissue Screen</p> <p><input type="checkbox"/> 7 Stainless Steel Duct Collar</p> <p><input type="checkbox"/> 9 Work Shelf Supports</p> |
|---------------------------------------------------------------------------------------------------------------------------------------------------------------------------------------------------------------------------------------------------------------------------------------------------------------------------------------------------------------------------------------------------------------------------------------------------------------------------------------------------------------------------------------------------------------------------------------------------------------------------------------------------------------------------------------------------------------------------------------------------------------------------------------|------------------------------------------------------------------------------------------------------------------------------------------------------------------------------------------------------------------------------------------------------------------------------------------------------------------------------------------------------------------------------------------------------------|

| | | |
|------------------------------------------------------------------------------------------------------------------------------------------------------------------------------------------------|-------|----------|
| <p>LINER LENGTH ADD-ON OPTIONS</p> <p>H52 <input type="checkbox"/> <input type="checkbox"/> 90 <input type="checkbox"/> <input type="checkbox"/> - 00 _____</p> | COLOR | ITEM NO. |
| PROJECT NAME: | | QUANTITY |

Indicate cutouts required by noting hole type and/or size at desired location:

Example:

The example below calls for one 482 sink outlet cutouts in the right rear.



If no cutout is marked, hood floor will ship with no cutout or holes.

Hood Floor Material

Black Kemresin

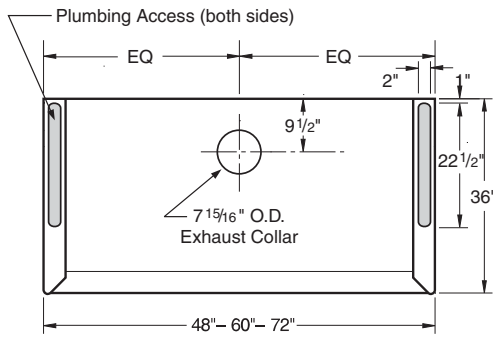
Type 304 Stainless Steel

| Overall Hood Length | Maximum Sash Opening | | Maximum Face Opening of Horizontal Sashes | | | | Face Opening with Vertical Sash at 10" Sash Stop | | | | Total CFM and Static Pressure | |
|---------------------|----------------------|--------|-------------------------------------------|--------|--------------------|----------|--------------------------------------------------|--------|--------------------|----------|-------------------------------|-------|
| | Width | Height | Width | Height | Ft. ² * | Velocity | Width | Height | Ft. ² * | Velocity | CFM | S.P. |
| 4'-0" / 48" | 40" | 37" | 14 1/2" | 22" | 3.00 | 100 FPM | 40" | 10" | 3.53 | 85 FPM | 300 | 0.17" |
| 5'-0" / 60" | 52" | 37" | 18" | 22" | 4.00 | 100 FPM | 52" | 10" | 4.81 | 85 FPM | 400 | 0.23" |
| 6'-0" / 72" | 64" | 37" | 22" | 22" | 5.00 | 100 FPM | 64" | 10" | 5.94 | 85 FPM | 500 | 0.37" |
| 8'-0" / 96" | 88" | 37" | 30" | 22" | 6.75 | 100 FPM | 88" | 10" | 8.01 | 85 FPM | 675 | 0.20" |

*Includes free area contributions from sash clearance spaces and by-pass opening.

Static pressures shown are for the pressure drop through the hoods only. The total pressure drop through the hood and the duct system must be calculated to select the proper exhaust fan.

Rough-In for 4' – 5' – 6' Hoods



Vertical Section

