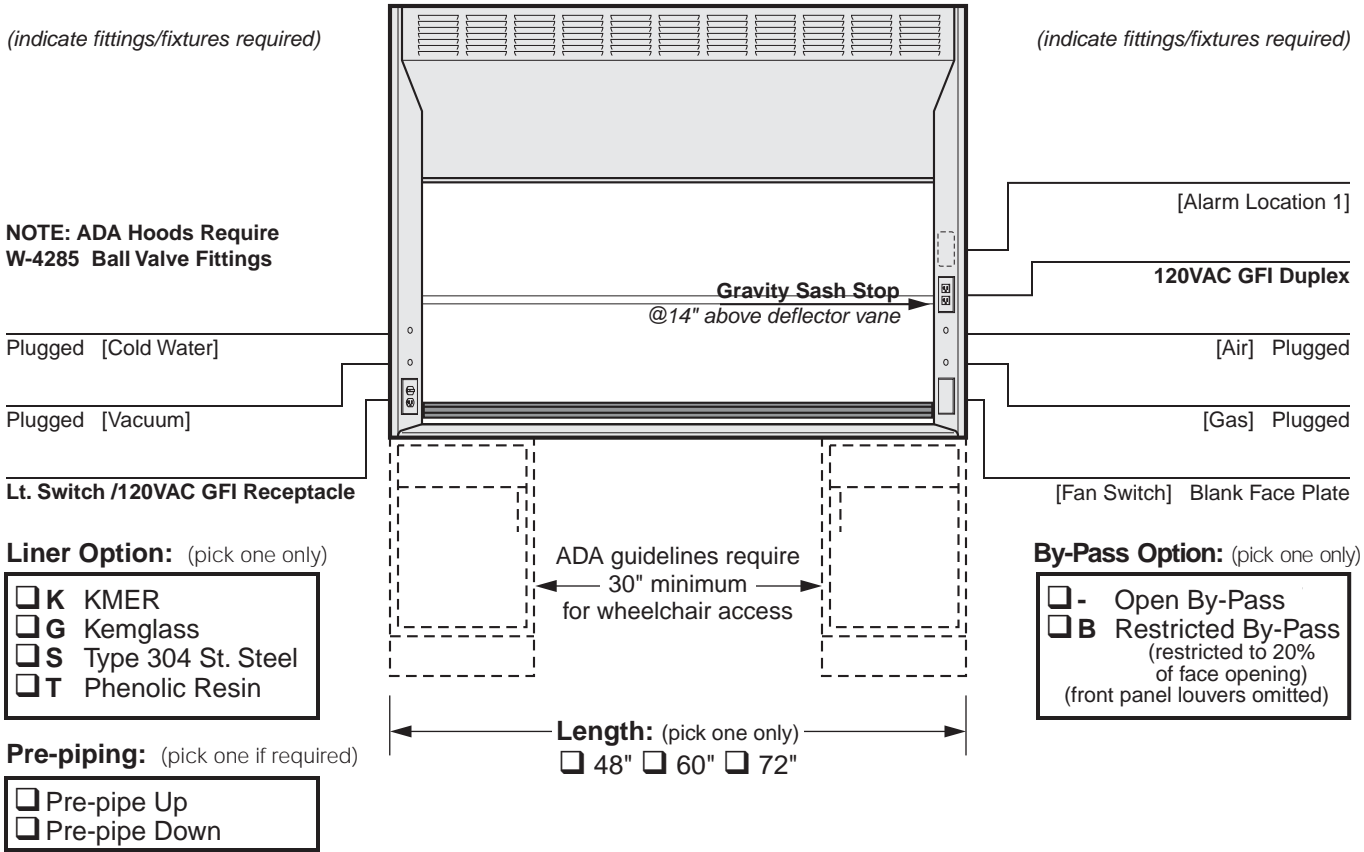


# Supreme Air Fume Hood

ADA Bench Hood with Vertical Rising Sash

# H08



**Add On Options:** (indicate options required)

<p>Interior Baffle Arrangement Options: (pick one only)</p> <p>Standard Fixed Baffle</p> <p><input type="checkbox"/> <b>A</b> Adjustable Baffle</p> <p><input type="checkbox"/> <b>C</b> Single-Point Adjustable Baffles</p> <p>Distillation Rack Option: (pick if required)</p> <p><input type="checkbox"/> <b>D</b> Distillation Rack</p> <p>Fire Extinguisher Option: (pick if required)</p> <p><input type="checkbox"/> <b>E</b> Fire Extinguisher</p> <p>Electric and Plumbing Options: (pick all required)</p> <p><input type="checkbox"/> <b>H</b> Pre-Wired to Top of Hood</p> <p>Safety Shield Option: (pick if required)</p> <p><input type="checkbox"/> <b>I</b> Safety Shield</p> <p>Interior Lighting Options: (pick one only)</p> <p>Standard Fluorescent Light (T-5 Ballast)</p> <p><input type="checkbox"/> <b>J</b> Fluorescent Light (T-8 Ballast)</p> <p><input type="checkbox"/> <b>K</b> Vapor Proof Light (Incandescent)</p> <p><input type="checkbox"/> <b>L</b> Explosion Proof Light (Incandescent)</p> <p>Lower Deflector Vane Options: (pick one only)</p> <p>Standard Painted Lower Deflector Vane</p> <p><input type="checkbox"/> <b>O</b> Stainless Steel Deflector Vane</p>	<p>Sash Handle Options: (pick one only)</p> <p>Standard Painted Metal Sash Handle</p> <p><input type="checkbox"/> <b>Q</b> Stainless Steel Sash Handle</p> <p>Top Front Panel Options: (pick one only)</p> <p><input type="checkbox"/> <b>T</b> Chevron Grille (Open By-Pass Only)</p> <p><input type="checkbox"/> <b>V</b> Vision Panel</p> <p>Fume Hood Alarm Options: (pick one if required)</p> <p><input type="checkbox"/> <b>W</b> Air Alert 300 Alarm (location 1)</p> <p><input type="checkbox"/> <b>M</b> Air Alert 600 Alarm (location 1)</p> <p>Sash Frame and Glass Options: (pick one only)</p> <p>Standard Frameless Laminated Safety Glass Sash</p> <p><input type="checkbox"/> <b>1</b> Frameless Tempered Glass Sash</p> <p><input type="checkbox"/> <b>2</b> Framed Laminated Safety Glass Sash</p> <p><input type="checkbox"/> <b>3</b> Framed Tempered Glass Sash</p> <p><input type="checkbox"/> <b>4</b> Stainless Steel Safety Glass Sash</p> <p><input type="checkbox"/> <b>5</b> Stainless Steel Tempered Glass Sash</p> <p>Miscellaneous Options: (pick all required)</p> <p><input type="checkbox"/> <b>6</b> Tissue Screen</p> <p><input type="checkbox"/> <b>7</b> Stainless Steel Duct Collar</p> <p><input type="checkbox"/> <b>8</b> Move Gravity Sash Stop (from 14" above deflector to 18" above deflector)</p>
--	---

<p>LINER    LENGTH    BY-PASS    ADD-ON OPTIONS</p> <p><b>H08</b> <input type="checkbox"/> <b>54</b> <input type="checkbox"/> <input type="checkbox"/> <input type="checkbox"/> <b>00</b></p>	<p>COLOR</p>	<p>ITEM NO.</p>	<p>PROJECT NAME:</p>	<p>QUANTITY</p>
---	--------------	-----------------	----------------------	-----------------

# Supreme Air Fume Hood

# H08

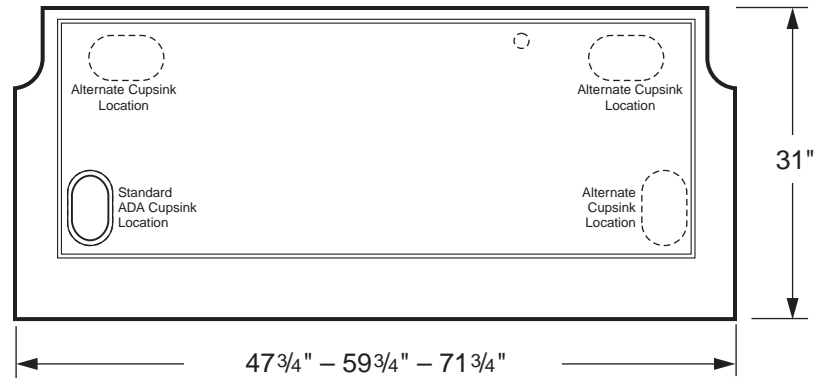
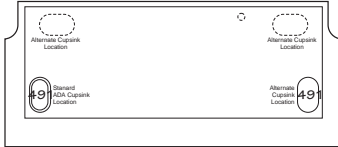
ADA Bench Hood with Vertical Rising Sash

## Plan of Work Top

Indicate cutouts required by noting cupsink part number or size and/or hole type and size at desired location:

**Example:**

The example below calls for two 491 cupsink cutouts in the front.



For sink or steambath cutout:  
Sketch in size and location required.

If no cutout is marked, work top will ship with 3"x6" cupsink cutout in left front corner. If no cutout is required, cross out standard cupsink location. (Cupsink is welded in stainless steel work tops.)

**Work Top Material**

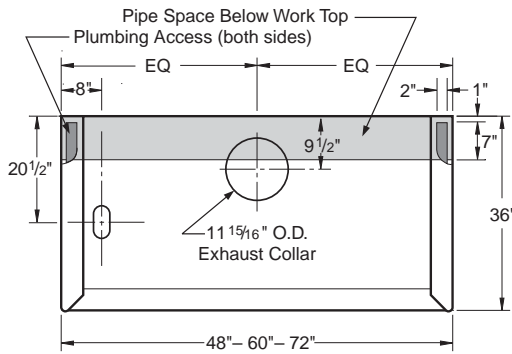
- Black Kemresin
- Type 304 Stainless Steel
- Type 316 Stainless Steel

Overall Hood Length	Sash Opening			Total CFM and Static Pressure					
	Width	Height	Total Ft. <sup>2</sup> *	80 FPM	S.P.	100 FPM	S.P.	120 FPM	S.P.
4'-0" / 48"	40"	14"	4.7	380	0.05"	470	0.10"	570	0.15"
5'-0" / 60"	52"	14"	6.1	490	0.10"	610	0.10"	740	0.15"
6'-0" / 72"	64"	14"	7.6	600	0.10"	760	0.15"	910	0.20"

\* Includes By-Pass opening.

- CFM requirements shown above are for **Open By-Pass** hoods with sash stop at 14". CFM requirements for sash fully open are same as H05.
- Static pressures shown are for the pressure drop through the hoods only. The total pressure drop through the hood and the duct system must be calculated to select the proper exhaust fan.

### Rough-In for 4' - 5' - 6' Hoods



Rough-in may vary depending on hood base unit locations. Contact your Kewaunee sales representative for more information.

### Vertical Section

