

Hood Type on which Air Chamber will be mounted : (pick one only)

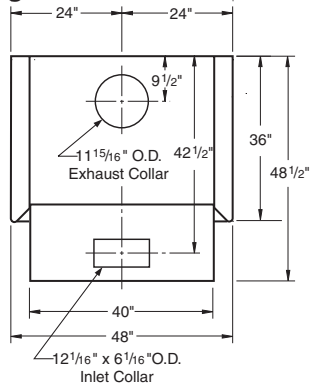
<input type="checkbox"/> H05_54__-00 General Purpose Bench Hood (open by-pass)	<input type="checkbox"/> H25L54__-00 Perchloric Acid Bench Hood (open by-pass)
<input type="checkbox"/> H08_54__-00 ADA Bench Hood (open by-pass)	<input type="checkbox"/> H30_90__-00 General Purpose Walk-In Hood (open by-pass)
<input type="checkbox"/> H10_54__-00 Split Sash Bench Hood (open by-pass)	<input type="checkbox"/> H36_90__-00 Distillation Fume Hood (open by-pass)
<input type="checkbox"/> H20S54__-00 Isotope Bench Hood (open by-pass)	

Air Chambers are not designed or recommended for use on following Fume Hoods:

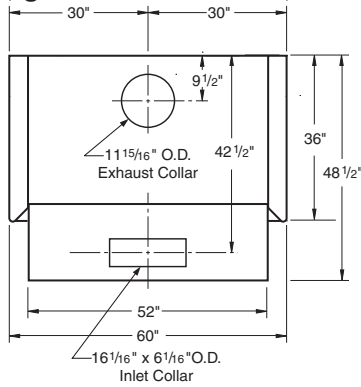
- | | |
|---|--|
| H07 Combination Sash Bench Hoods | H52 Dynamic Barrier Walk-In Hoods |
| H09 ADA Combination Sash Bench Hoods | H70 Horizontal Sash Bench Hoods |
| H32 Combination Sash Walk-In Hoods | HOP HOPEC Style Bench Hoods |
| H34 Horizontal Sash Walk-In Hoods | LV05 High Performance Bench Hoods |
| H50 Dynamic Barrier Bench Hoods | All Restricted By-Pass Fume Hoods |

H01M13 <input type="checkbox"/> <input type="checkbox"/> -00	COLOR		ITEM NO.
PROJECT NAME:			QUANTITY

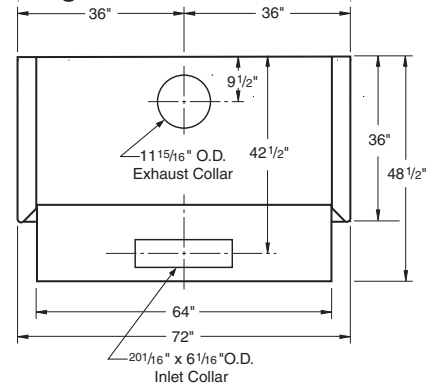
Rough-In for 4' Air Chamber



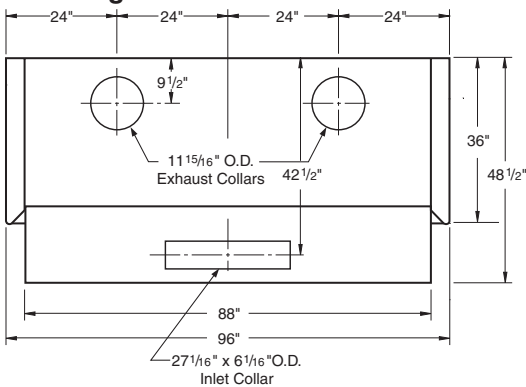
Rough-In for 5' Air Chamber



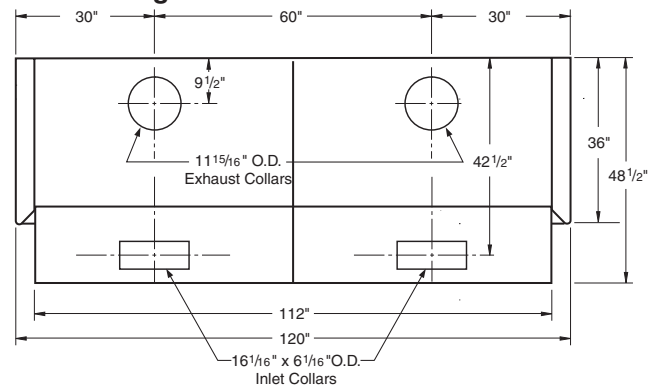
Rough-In for 6' Air Chamber



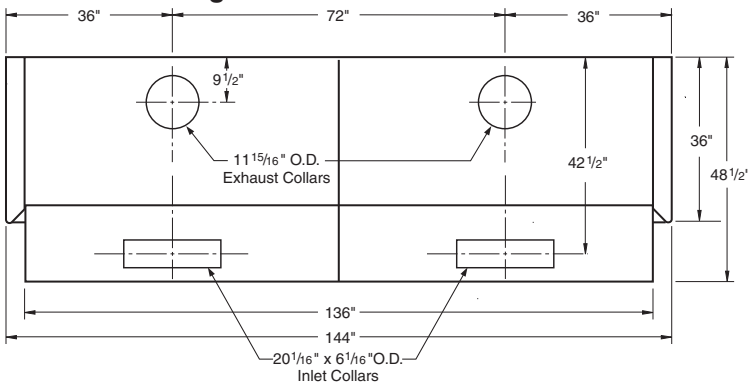
Rough-In for 8' Air Chamber



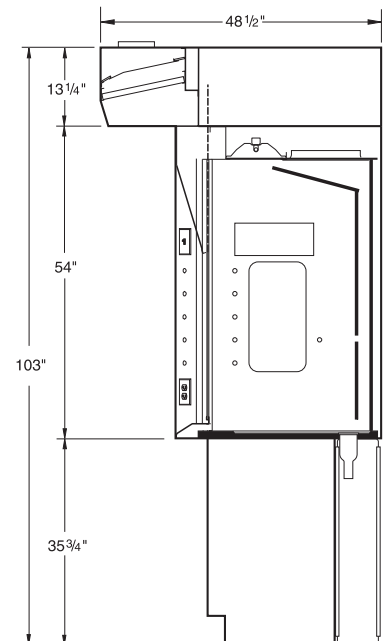
Rough-In for 10' Air Chamber



Rough-In for 12' Air Chamber



Vertical Section



Auxiliary Air Requirements
(based on 70% of hood air requirements)

for Bench and Walk-In Fume Hoods

Overall Hood Length	Total CFM and Static Pressure					
	80 FPM	S.P.	100 FPM	S.P.	120 FPM	S.P.
4'-0" / 48"	460	0.15"	570	0.25"	690	0.35"
5'-0" / 60"	590	0.15"	740	0.25"	880	0.30"
6'-0" / 72"	730	0.15"	900	0.25"	1090	0.30"
8'-0" / 96"	990	0.15"	1240	0.25"	1490	0.30"
10'-0" / 120"	1270	0.15"	1580	0.25"	1900	0.30"
12'-0" / 144"	1540	0.15"	1920	0.25"	2300	0.30"

for Distillation Fume Hoods

Overall Hood Length	Total CFM and Static Pressure					
	80 FPM	S.P.	100 FPM	S.P.	120 FPM	S.P.
4'-0" / 48"	650	0.35"	810	0.50"	980	0.65"
5'-0" / 60"	850	0.35"	1060	0.50"	1270	0.60"
6'-0" / 72"	1040	0.35"	1300	0.50"	1570	0.60"
8'-0" / 96"	1430	0.35"	1790	0.50"	2140	0.60"