

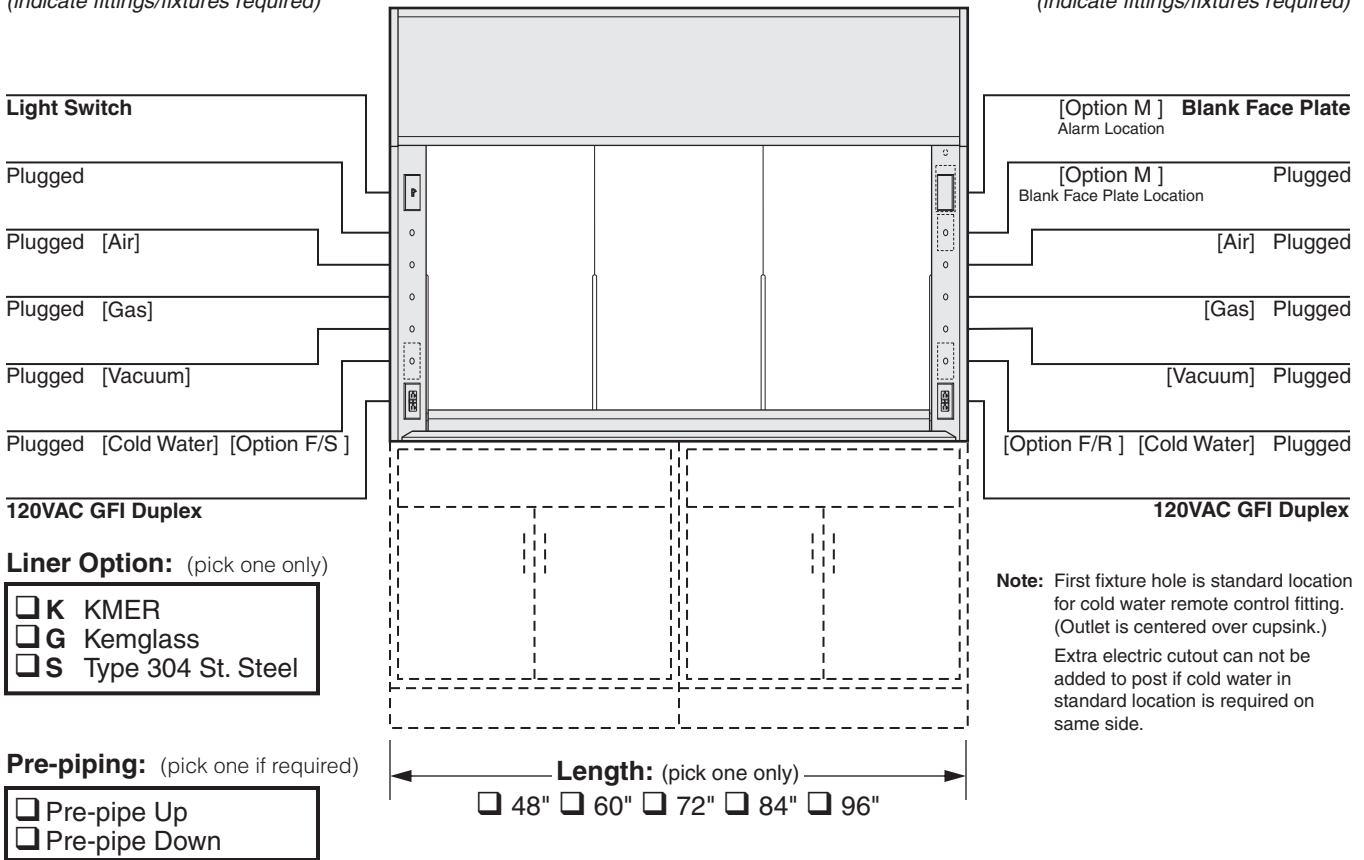
Supreme Air LV Fume Hood

LV05

Bench Hood with Vertical Rising Sash (Self-Closing to 18")

(indicate fittings/fixtures required)

(indicate fittings/fixtures required)



Add On Options: (indicate options required)

<p>Distillation Rack Option: (pick if required)</p> <p><input type="checkbox"/> D Distillation Rack</p>	<p><input type="checkbox"/> M Air Alert 600 Alarm (at top of right post) (blank face plate located below)</p>
<p>Fire Extinguisher Option: (pick if required)</p> <p><input type="checkbox"/> E Fire Extinguisher</p>	<p>Sash Operator: (pick if required)</p> <p><input type="checkbox"/> N Automatic Sash Operator</p>
<p>Electric and Plumbing Options: (pick all required)</p> <p><input type="checkbox"/> F Additional GFI Duplex on Both Posts</p> <p><input type="checkbox"/> G Front Load Fittings</p> <p><input type="checkbox"/> H Pre-Wired to Top of Hood – UL Listed</p> <p><input type="checkbox"/> S Additional GFI Duplex on Left Post</p> <p><input type="checkbox"/> R Additional GFI Duplex on Right Post</p>	<p>Sash Frame and Glass Options: (pick one only)</p> <p>Standard Frameless Laminated Safety Glass Sash</p> <p><input type="checkbox"/> 1 Frameless Tempered Glass Sash</p>
<p>Interior Lighting Options: (pick one only)</p> <p>Standard Fluorescent Light (T-5 Ballast)</p> <p><input type="checkbox"/> K Vapor Proof Light (Incandescent)</p> <p><input type="checkbox"/> L Explosion Proof Light (Incandescent)</p>	<p>Miscellaneous Options: (pick all required)</p> <p><input type="checkbox"/> 6 Tissue Screen</p> <p><input type="checkbox"/> 7 Stainless Steel Duct Collar</p>
<p>Lower Deflector Vane Options: (pick one only)</p> <p>Standard Painted Lower Deflector Vane</p> <p><input type="checkbox"/> O Stainless Steel Deflector Vane</p>	<p><input type="checkbox"/> Modified By-pass for VAV Control System Manufacturer of VAV Controller:</p> <p>Model: _____</p> <p>Minimum CFM: <input type="text"/> <input type="text"/> <input type="text"/></p>
<p>Fume Hood Alarm Options: (pick one if required)</p>	

<p>LINER LENGTH ADD-ON OPTIONS COLOR ITEM NO.</p> <p>LV05 <input type="text"/> 5434 <input type="text"/> <input type="text"/> -00 _____</p>		
<p>PROJECT NAME: _____</p>		<p>QUANTITY</p>

Supreme Air LV Fume Hood

Bench Hood with Vertical Rising Sash

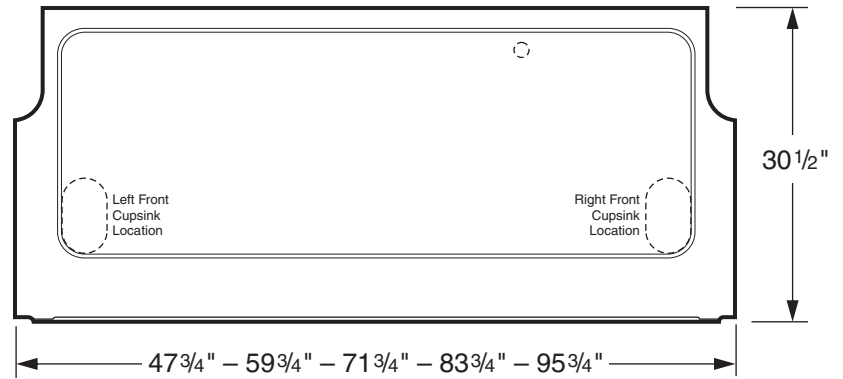
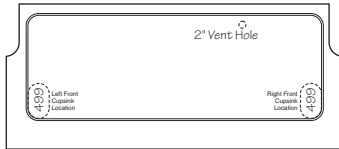
LV05

Plan of Work Top

Indicate cutouts required by noting cupsink part number or size and/or hole type and size at desired location:

Example:

The example below calls for two 499 cupsink cutouts in the front along with a 2" dia. vent hole.



For sink or steambath cutout:
Sketch in size and location required.

If no cutout is marked, work top will ship without any cupsink cutouts (Cupsink is welded in stainless steel work tops.)

Work Top Material

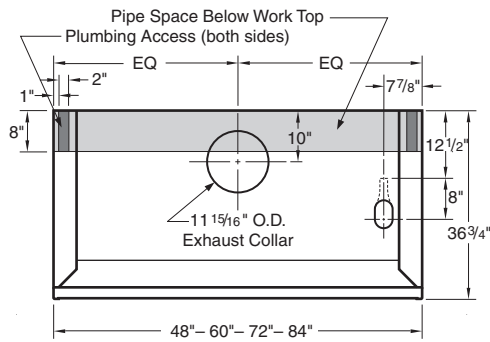
- Black Kemresin
- Type 304 Stainless Steel

Overall Hood Width	Sq. Ft. Opening at 28" Sash Opening*	Sq. Ft. Opening at 18" Sash Opening*	HIGH SETTING 100 FPM at 18" 66 FPM at 28"		MEDIUM SETTING 84 FPM at 18" 55 FPM at 28"		LOW SETTING 55 FPM at 18" 28" Not Recommended	
			CFM	SP	CFM	SP	CFM	SP
4'-0" / 48"	7.85	5.15	515	0.20	432	0.15	285	0.10
5'-0" / 60"	10.27	6.73	673	0.20	565	0.15	370	0.12
6'-0" / 72"	12.69	8.31	831	0.25	698	0.20	458	0.15
7'-0" / 84"	15.10	9.90	990	0.33	831	0.25	545	0.18
8'-0" / 96"	17.52	11.49	1149	0.20	964	0.15	632	0.10

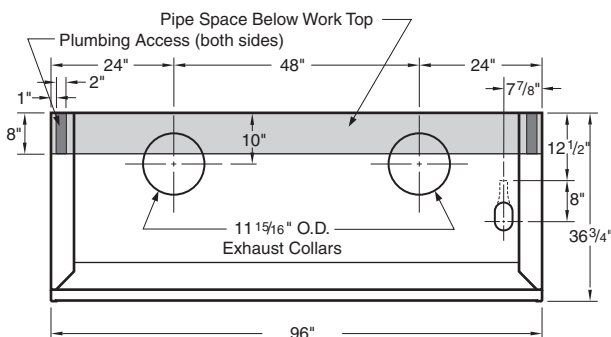
* Includes free area contributions from sash clearance spaces and bypass opening.

• Static pressures shown are for the pressure drop through the hoods only. The total pressure drop through the hood and the duct system must be calculated to select the proper exhaust fan.

Rough-In for 4' - 5' - 6' - 7' Hoods



Rough-In for 8' Hoods



Vertical Section

