

DetectAir Fume Hood

DET90

Filtered Fume Hood - Deep Profile - Sloping Face

(indicate fittings/fixtures required)

Lower Left Service Fitting
P/N: W-0744-

Air Vacuum
 Gas Cold Water
 None _____

Outlet Location
 Front Rear

Upper Left Service Fitting
P/N: W-0744-

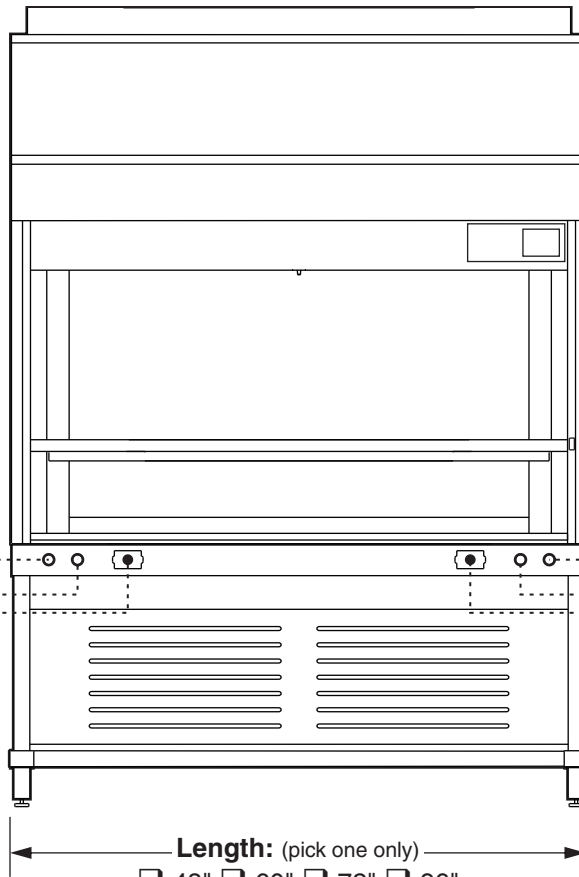
Air Vacuum
 Gas Cold Water
 None _____

Outlet Location
 Front Rear

Electrical Outlet

120VAC GFI Duplex
P/N: 656-1
 Ivory Black

 None



(indicate fittings/fixtures required)

Lower Right Service Fitting
P/N: W-0744-

Air Vacuum
 Gas Cold Water
 None _____

Outlet Location
 Front Rear

Upper Right Service Fitting
P/N: W-0744-

Air Vacuum
 Gas Cold Water
 None _____

Outlet Location
 Front Rear

Electrical Outlet

120VAC GFI Duplex
P/N: 656-1
 Ivory Black

 None

Length: (pick one only)
 48" 60" 72" 96"

Stand Option:

Manual Stand P/N: 050400-42__ with Casters
 Electric Stand P/N: 050400-42__-E with Casters
 No Stand

Optional Filters & Accessories (indicate all required)

HEPA Filters:

description	part number	
<input type="checkbox"/> 4ft Hood Filter Package	KACFHEPA-3	(3 filters)
<input type="checkbox"/> 5ft Hood Filter Package	KACFHEPA-3	(3 filters)
<input type="checkbox"/> 6ft Hood Filter Package	KACFHEPA-4	(4 filters)
<input type="checkbox"/> 8ft Hood Filter Package	KACFHEPA-6	(6 filters)
<input type="checkbox"/> Single HEPA Filter	KACFHEPA	(1 filter)

Accessories:

description	part number
<input type="checkbox"/> Communication Package	KACARJECOM

Replacement Filters: (indicate all required)

Silconazyne Filters: (Hood furnished with one set)

description	part number	
<input type="checkbox"/> 4ft Hood Filter Package	KACFSCI-3	(3 filters)
<input type="checkbox"/> 5ft Hood Filter Package	KACFSCI-3	(3 filters)
<input type="checkbox"/> 6ft Hood Filter Package	KACFSCI-4	(4 filters)
<input type="checkbox"/> 8ft Hood Filter Package	KACFSCI-6	(6 filters)
<input type="checkbox"/> Single Silconazyne Filter	KACFSCI	(1 filter)

Ceramic Prefilter: (needed only in case of breakage)

description	part number	
<input type="checkbox"/> Single Ceramic Prefilter	PREDATA	(1 filter)

DET90T6742 <small>LENGTH</small> <input type="checkbox"/> <input type="checkbox"/> 0A	<small>COLOR</small>	<small>ITEM NO.</small>
<small>PROJECT NAME:</small>		<small>QUANTITY</small>

DetectAir Fume Hood

Filtered Fume Hood - Deep Profile - Vertical Face

DET90

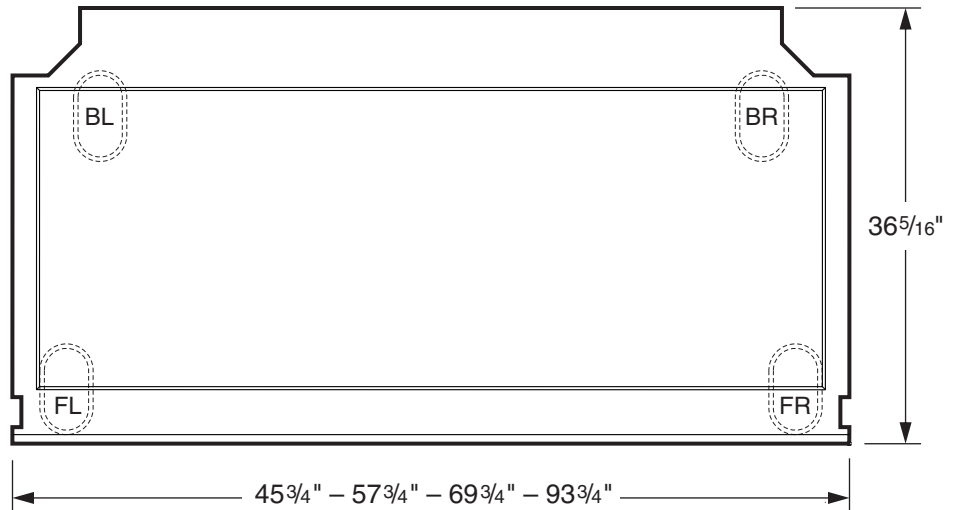
Plan of Work Top

Cupsink Option (select as required)

- 0491-BP Black Poly Cupsink
- 0491-BE Black Epoxy Cupsink
- No Cupsink

Cupsink Location

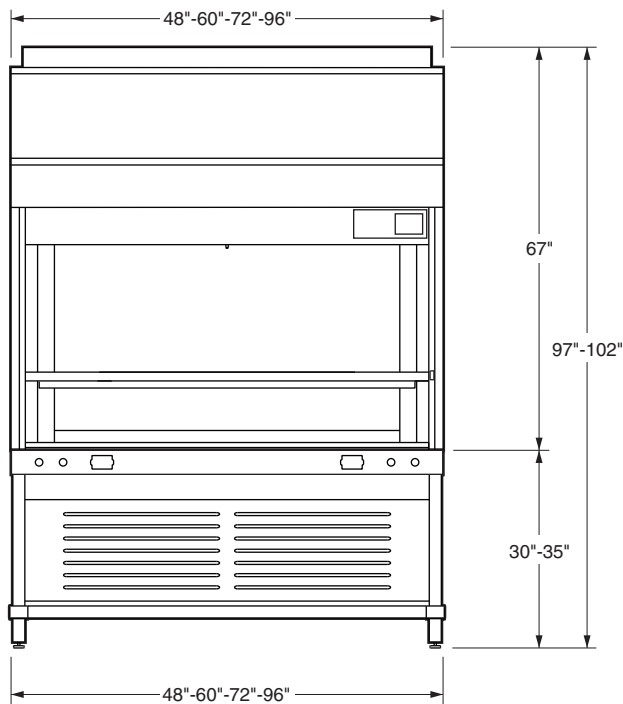
- Back Left Back Right
- Front Left Front Right



Black Kemresin Work Top

(supplied as part of hood)

Face Elevation



End View

