

SIX INCH ALPHA MODULE INSTALLATION

KEWAUNEE SCIENTIFIC CORPORATION

SIX INCH ALPHA MODULE



ANCHORING SYSTEM

After Alpha module has been set in desired location. Adjust the four adjustment bolts until the module is plumb and level



INSIDE PANEL NOT SHOWN TO DETAIL ANCHORING SYSTEM

Loosen the two anchor plate nuts shown until the plate is free to slide.
Be sure not to remove the nuts completely.



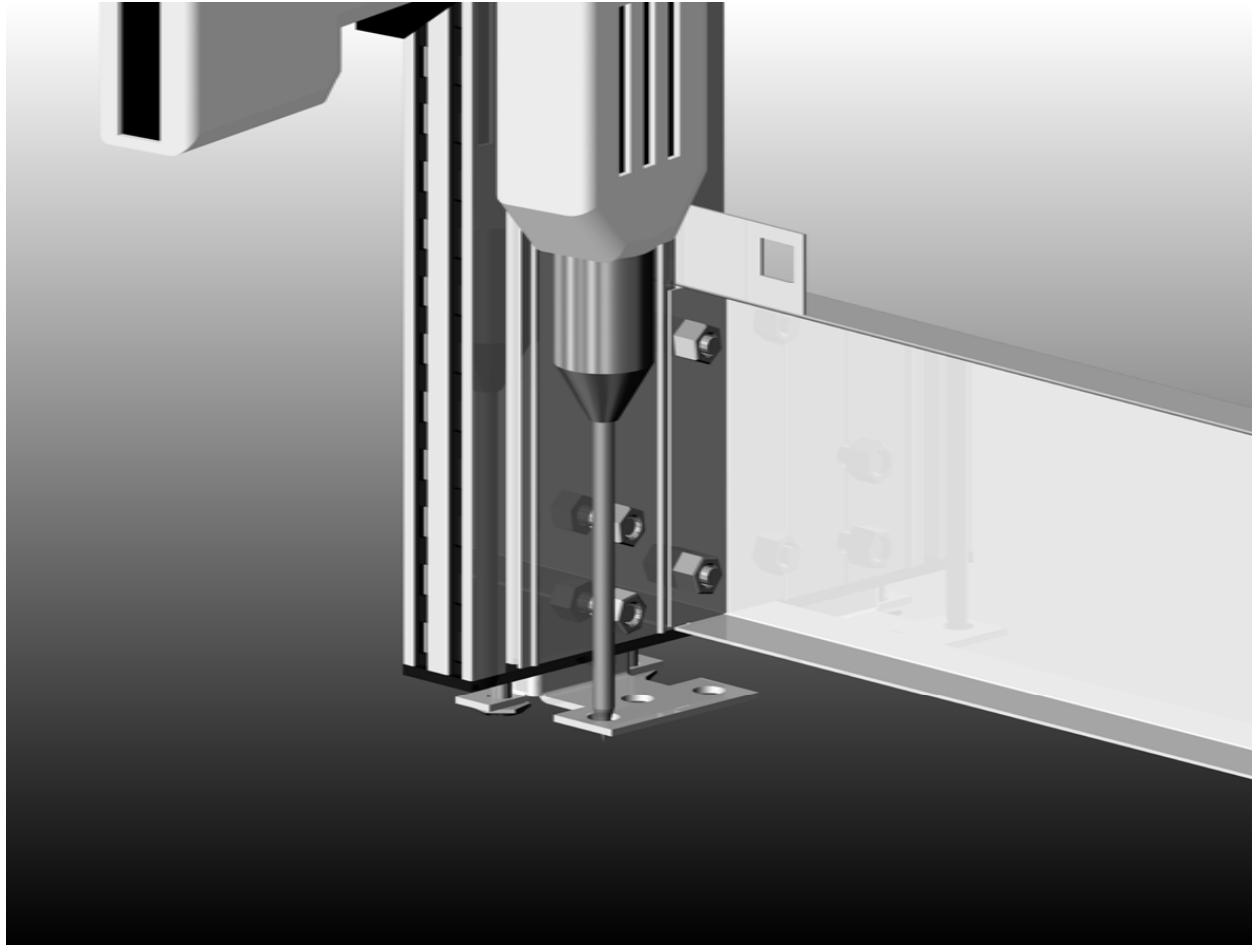
INSIDE PANEL NOT SHOWN TO DETAIL ANCHORING SYSTEM

Slide the anchor plate down until it rests on the adjustment bolts.



INSIDE PANEL NOT SHOWN TO DETAIL ANCHORING SYSTEM

Drill the three holes per anchor specification through the hole in the anchor bracket as shown. Holes must be drilled at least $\frac{1}{2}$ " or one anchor diameter deeper than the embedment required.
Blow the holes clean of dust and other material.



INSIDE PANEL NOT SHOWN TO DETAIL ANCHORING SYSTEM

1/2" x 4" Hex head Lok/Bolt sleeve type expansion anchors are recommended * Anchors will be supplied by installer.

Drive the anchors through the anchor plate into the drilled anchor holes until the head is seated against the plate. Be sure the anchor is driven to the required embedment depth.



INSIDE PANEL NOT SHOWN TO DETAIL ANCHORING SYSTEM

Tighten the anchor nuts per the installation torque guide from finger tight position.



INSIDE PANEL AND FLOOR NOT SHOWN TO DETAIL ANCHORING SYSTEM

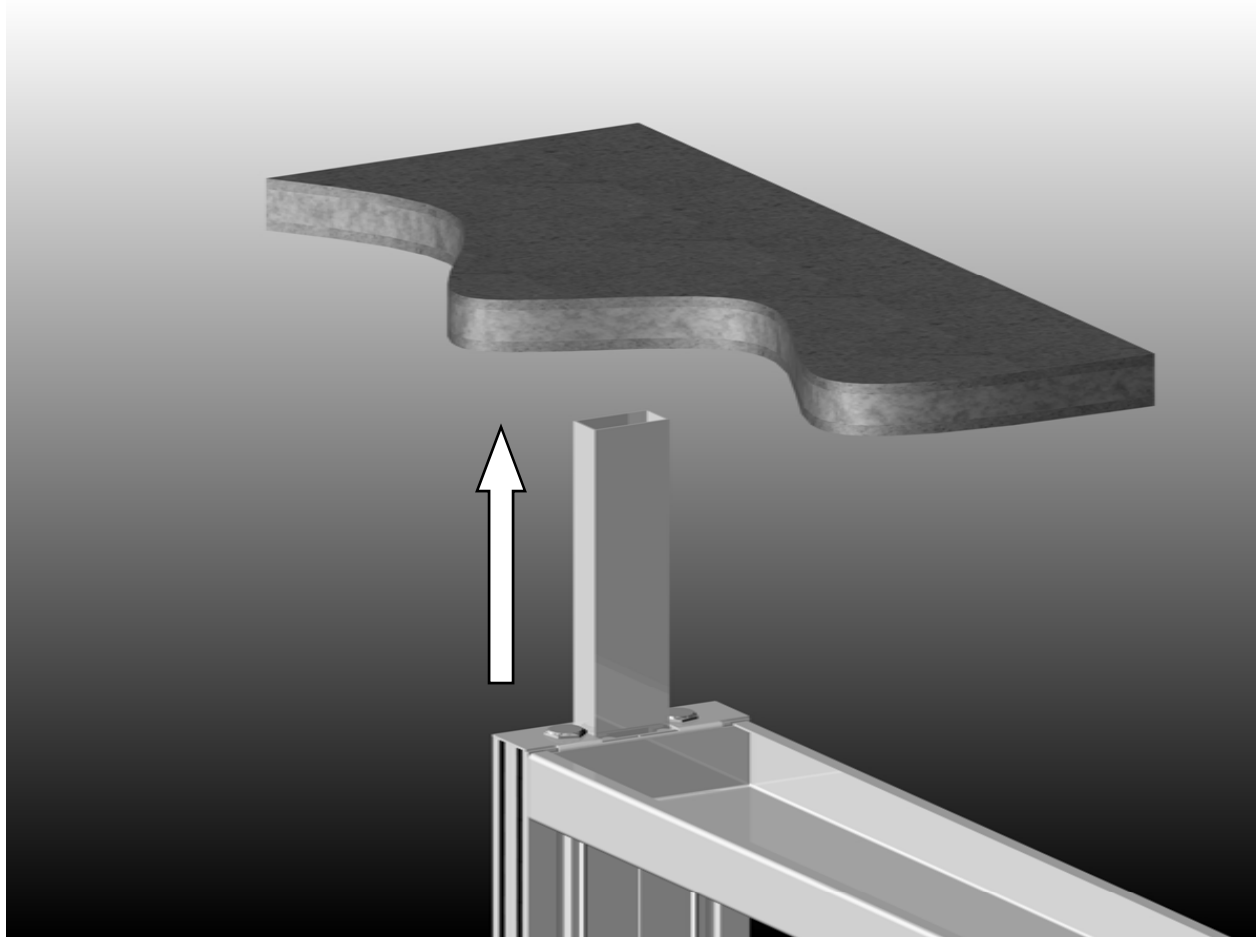
Tighten the two anchor plate nuts to complete the anchor installation procedure on this side of the Alpha module.
Repeat anchor installation on the opposite end of Alpha module.



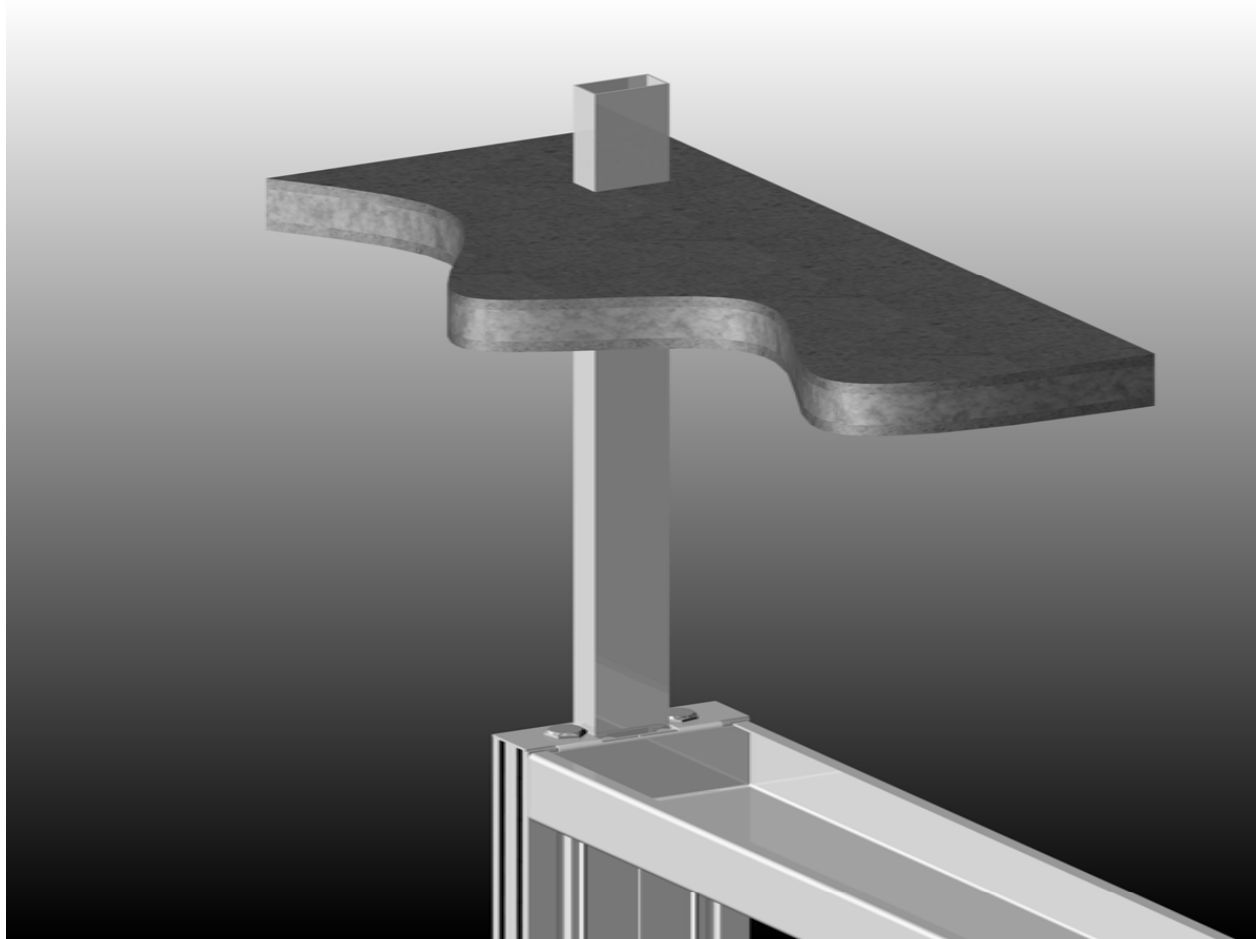
INSIDE PANEL AND FLOOR NOT SHOWN TO DETAIL ANCHORING SYSTEM

CEILING ATTACHMENT

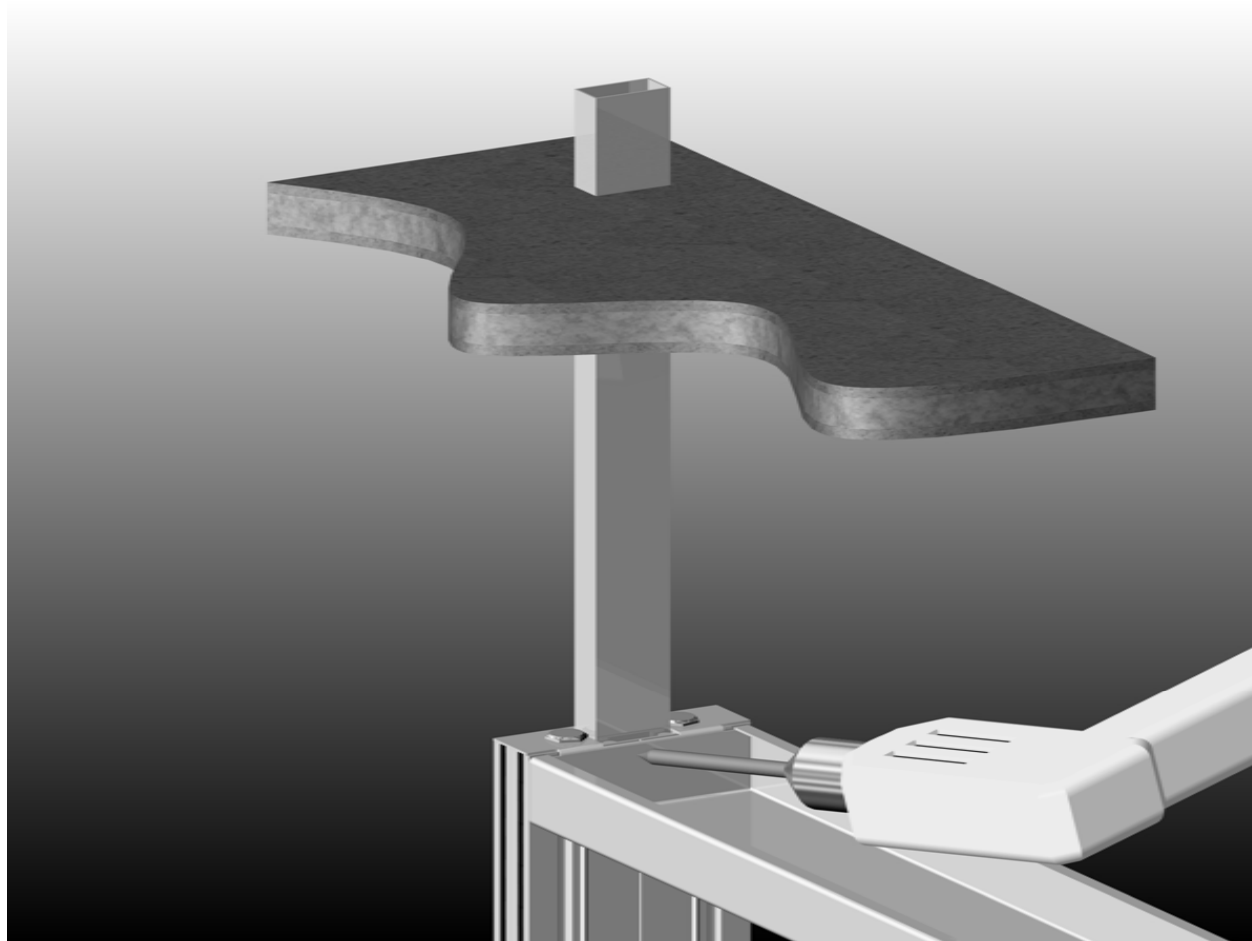
Adjust ceiling extension tube to ceiling.
Do not allow ceiling extension tube to retract all the way into module.



If the ceiling is suspended, cut a 1" x 2" opening in ceiling to allow the extension tube to protrude through the ceiling.
Be sure that the tube is plumb prior to marking the cut out.

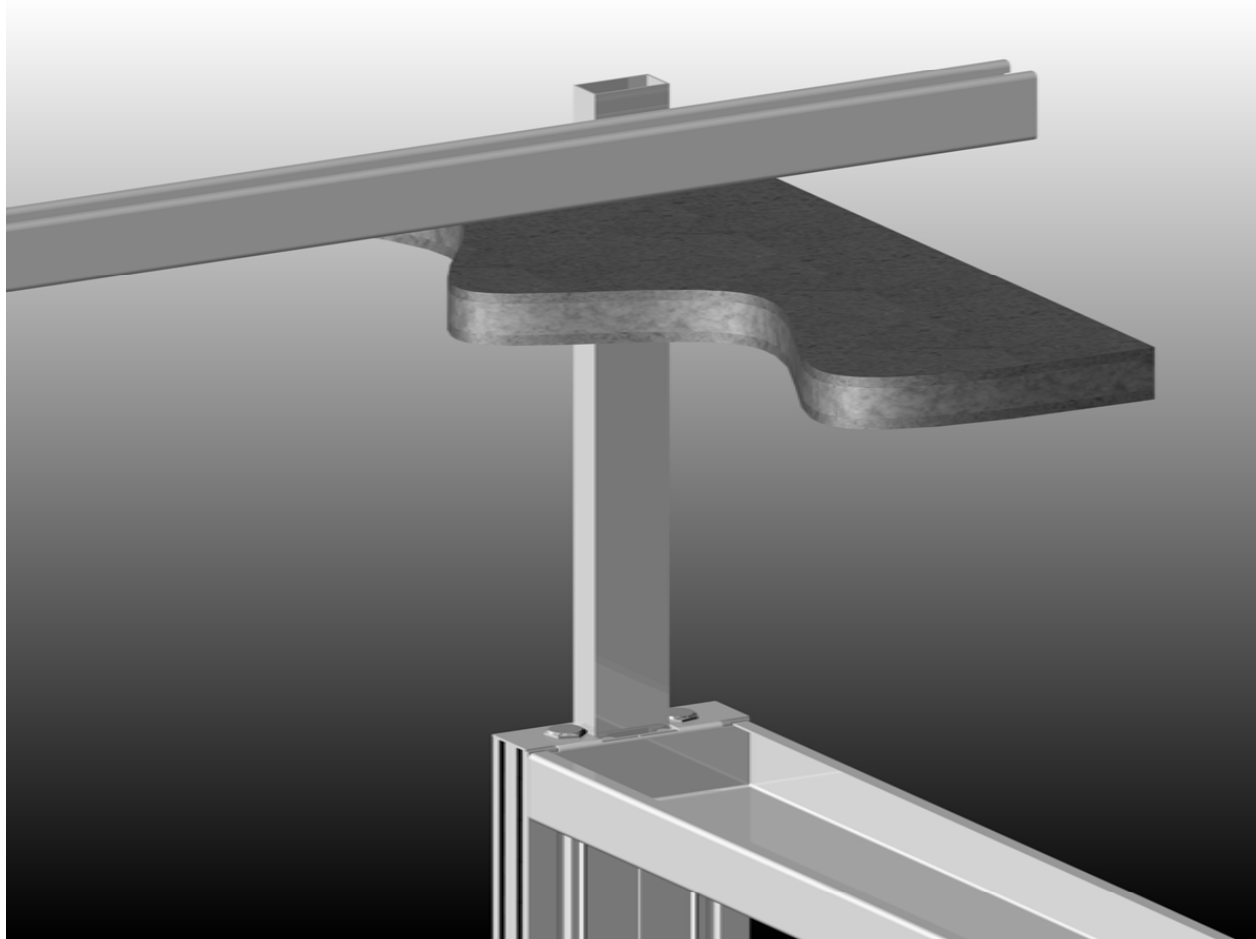


Once the ceiling extension tube is in the proper location. Drill and insert locking screw as shown.



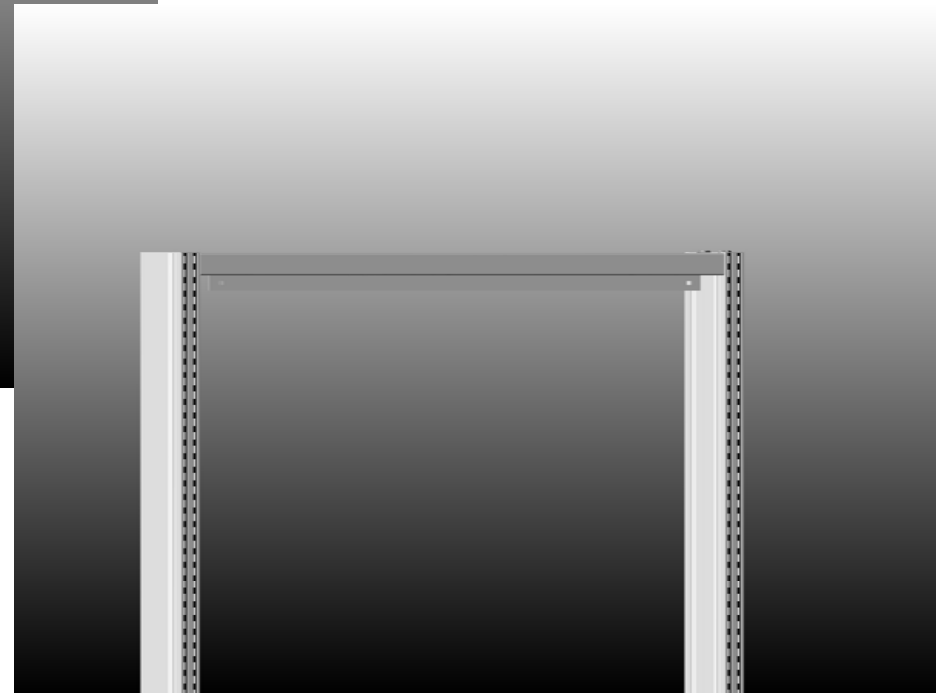
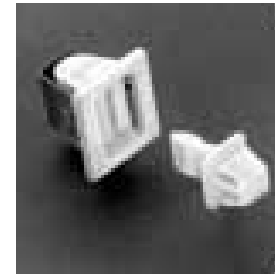
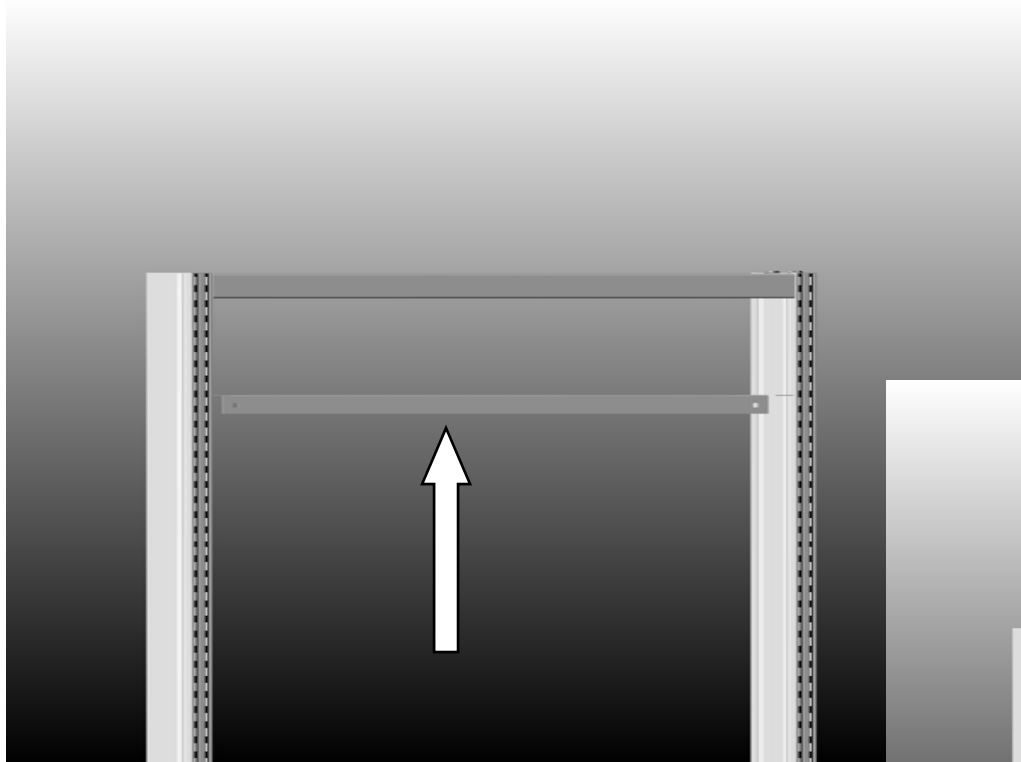
If the ceiling is suspended, install reinforcement between the ribs of the suspended “T” grid system.

Orientation of the ceiling strut is critical and must be fastened as shown. Use two bolts above the ceiling to avoid rotation.

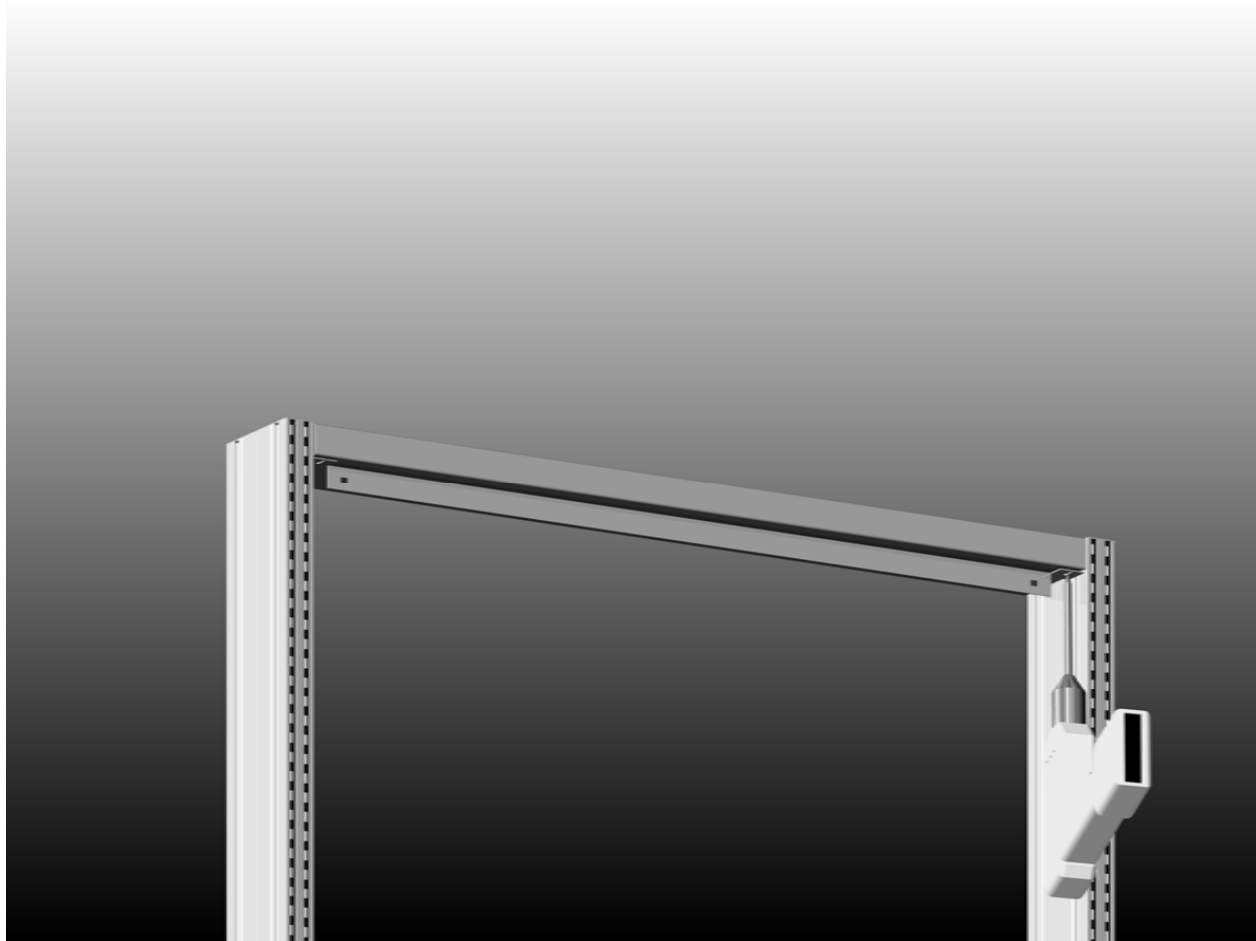


UPPER PANEL INSTALLATION

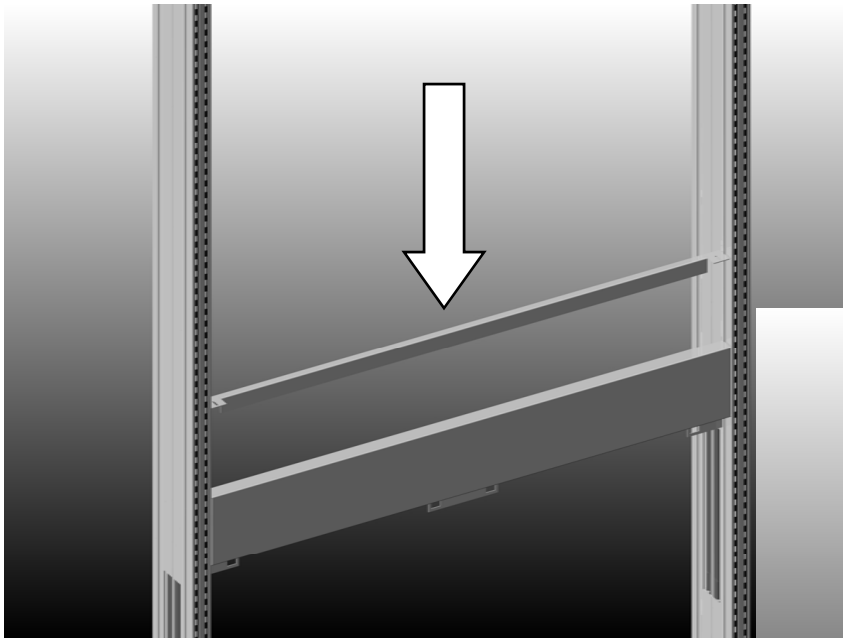
Insert the upper panel mounting bracket as shown.
The latch and strike is included with upper panel hardware and should
be inserted into the pre-punched holes.



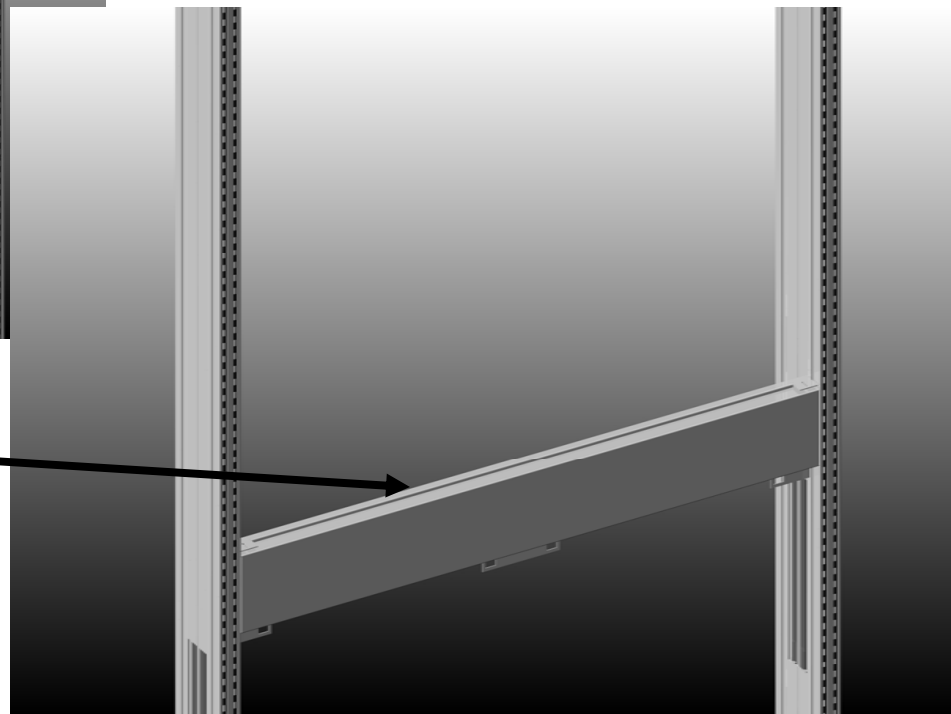
Drill and screw through the slot located at both ends.



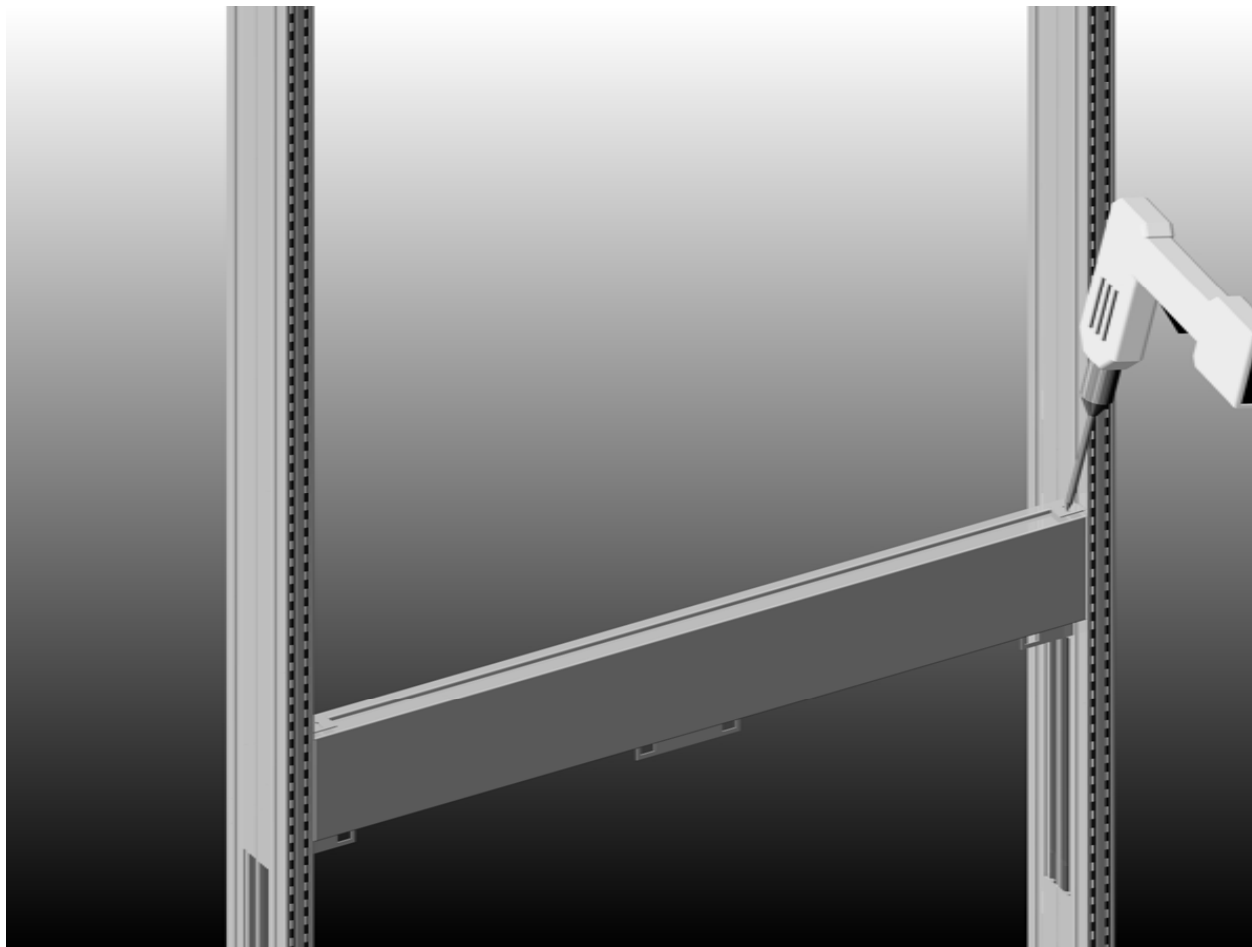
Insert the lower panel mounting bracket as shown.



Be sure to leave 1/8" gap between the mounting bracket and the support bracket.



Drill and screw through the slot located at both ends.
Repeat the panel installation steps for the back side of the module.



Insert the lower flange of the access panel into the slot between the panel mounting bracket and panel support bracket. Rotate the panel upward until the latching mechanism catches. The oversized punched hole in the panel and bracket allow for fine adjustment of the latch to correct misalignment.



INSIDE PANEL NOT SHOWN TO DETAIL PANEL INSTALLATION

PLUMBING

Access holes are provided on both sides of the module that accommodates up to 2" drain line.



INSIDE PANELS ARE NOT SHOWN TO DETAIL PLUMBING

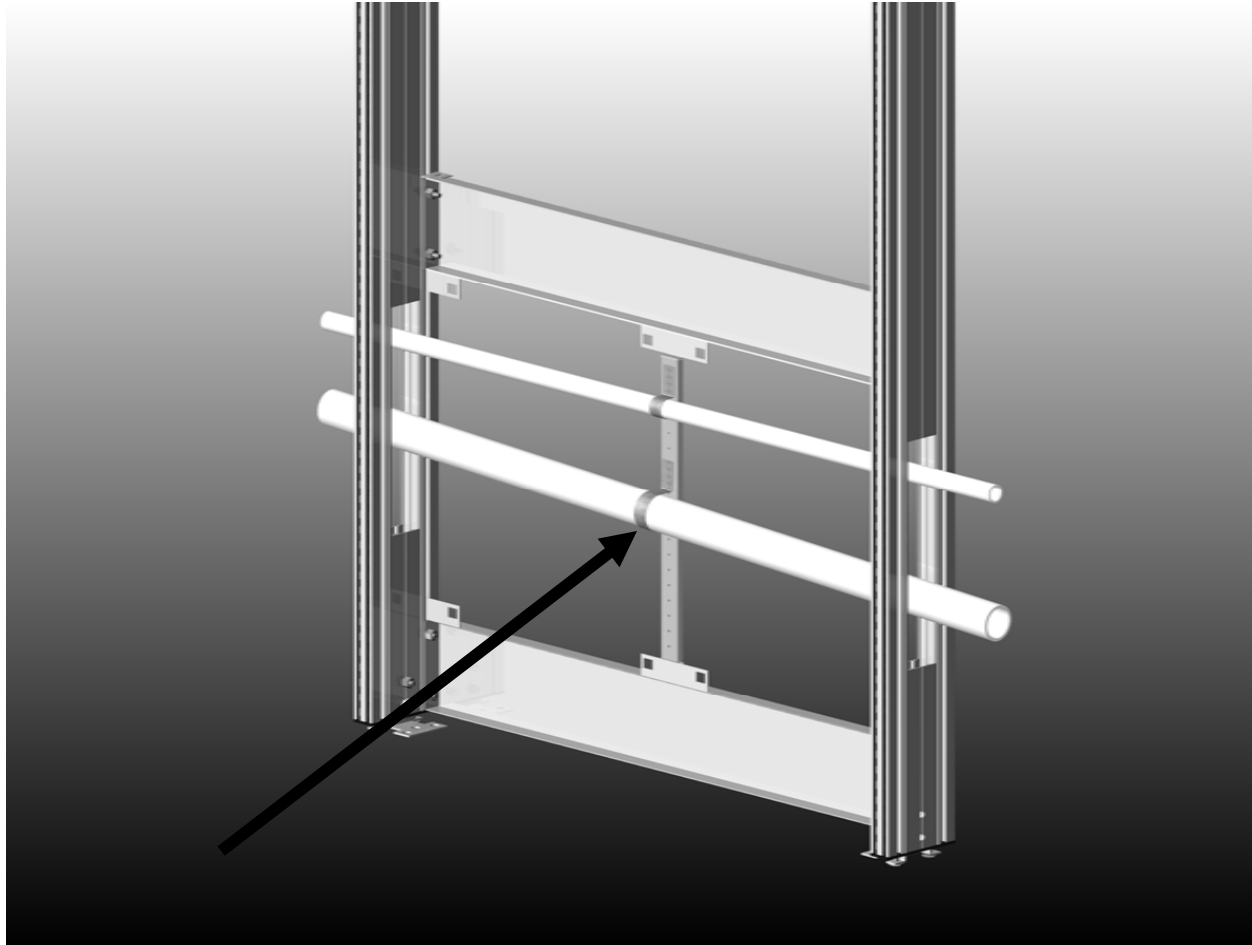
Pipe support brackets are added to help support the weight of the plumbing.

Pilot holes are provided, spaced on 1" intervals



INSIDE PANELS ARE NOT SHOWN TO DETAIL PLUMBING

Pipes and conduit should be attached to the pipe support bracket using pipe clamps supplied by installer.



INSIDE PANELS ARE NOT SHOWN TO DETAIL PLUMBING

END FILLER

Insert one side of the end filler into the provided “T” slot. Rotate the other side around as shown while applying pressure to the center of the filler. The filler snaps into second “T” slot when installed properly.

