

Installation Instructions

Supreme Air **WALK-IN FUME HOOD** with Vertical Rising Sash

H30

S T Y L E

Fume Hoods

48" - 60" - 72" - 96" long

Supreme Air Walk-In Hood

with Vertical Rising Sash

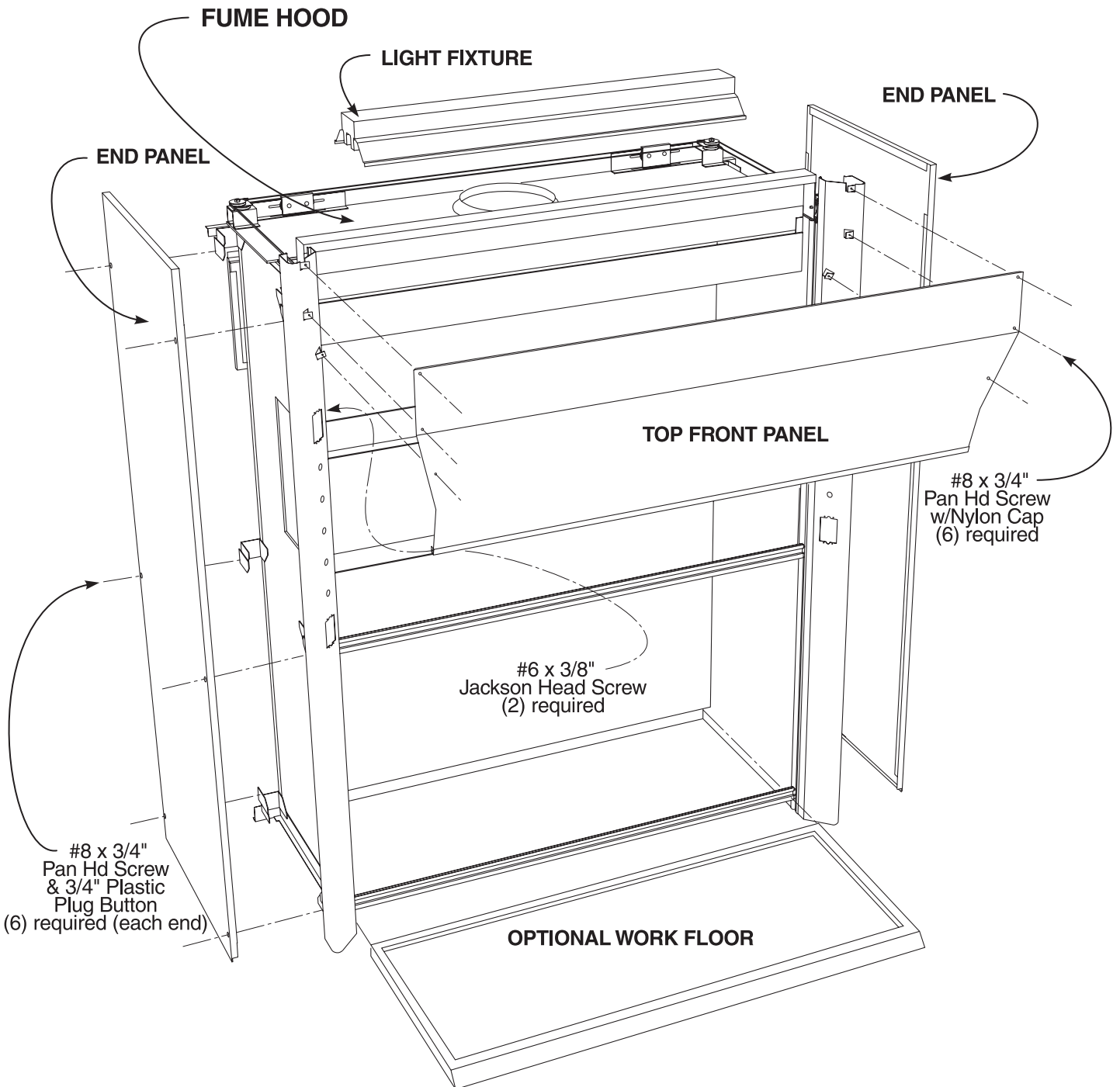


Figure 1

Supreme Air Walk-In Hood

with Vertical Rising Sash

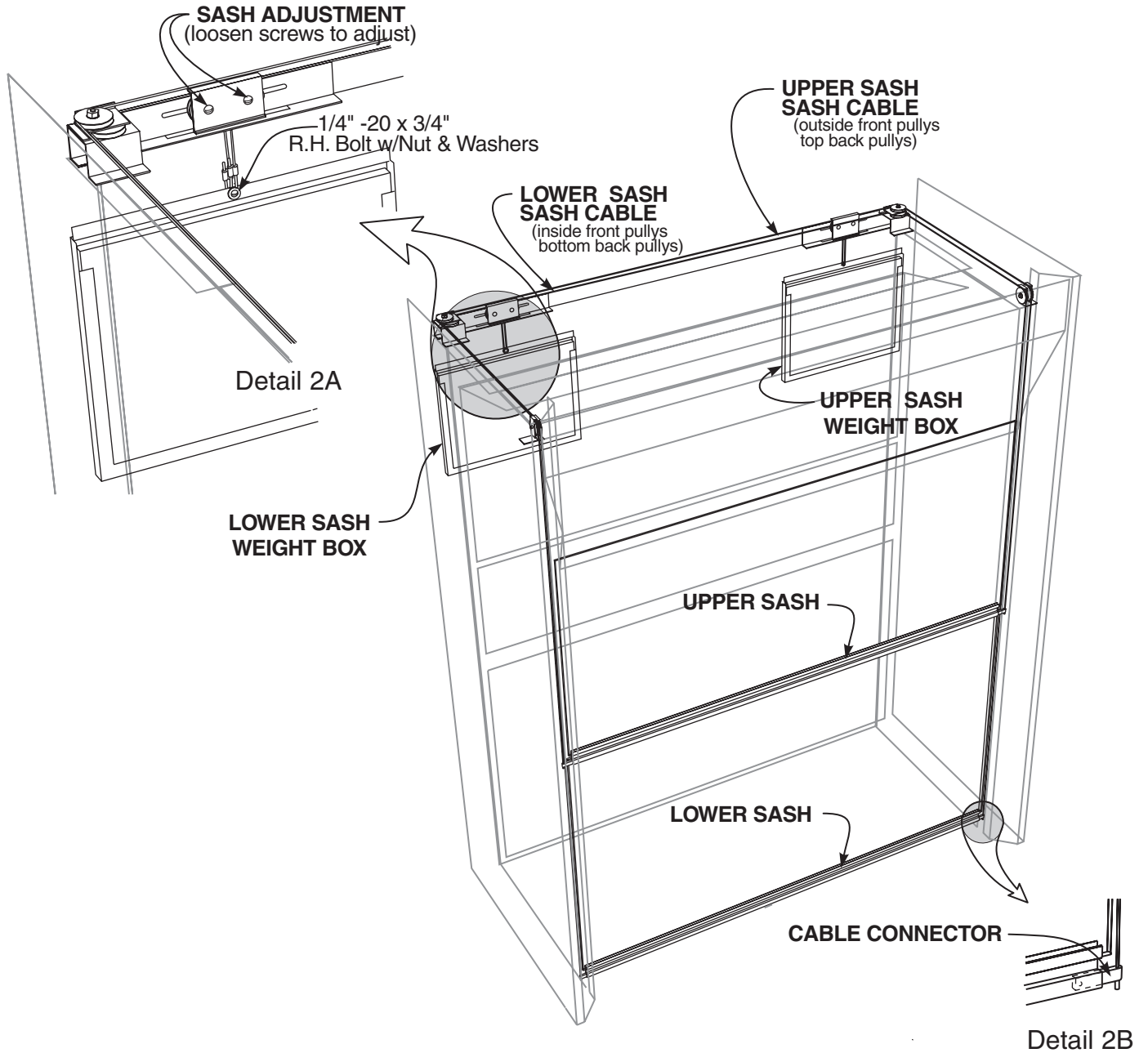


Figure 2

Supreme Air Walk-In Hood

with Vertical Rising Sash

Packing List

On Pallet		Hardware Package	
(1)	Fume Hood	(10)	Nylon Screw Caps (EXTRAS)
(2)	Sash Weight Box	(14)	3/4" Plastic Plug Buttons (2 EXTRAS)
(1)	Hardware Package		

Preparation

1. Locate and mark required position of **Fume Hood** on floor and wall, checking floor for level, and making sure wall is basically smooth. (Protrusions from wall can cause Weight Boxes to hang or jam.) Be sure all conduit, duct work and service lines have been run and are properly located for final connection.
2. Uncrate **Fume Hood** taking care to sort and inventory all parts.
3. Remove **End Panels** from **Fume Hood** and remove screws holding **Fume Hood** and **Weight Boxes** to pallet. (Save End Panel screws to reattach End Panel later.)
4. Remove all packing from **Fume Hood** and any tape holding parts in place for shipping.

NOTICE Fume Hood is packed fully assembled except for Weight Boxes. The Light Fixture and Top Front Panel may be removed to fit through narrow doorways and/or for easier access.

NOTICE Generally electrical fixtures and plumbing fittings are shipped installed, but may be shipped loose depending on job requirements. Fittings may also be pre-wired and/or pre-piped. Fixtures are not shown on assembly diagram as quantities and locations vary to meet individual requirements.

Installation

5. Check that **Sash Cables** are properly routed over front pulleys, around rear pulleys, and through the **Sash Adjustment** pulleys. (see Figure 2)
6. Attach **Weight Box** to cables using one (1) 1/4" -20 x 3/4" R.H. Bolt, Nylock Nut, and two (2) Flat Washers for each **Weight Box** (bolt, nut, and washer shipped attached to cable ends)
7. Loosen **Sash Adjustment** pulley bolts and slide pulleys as needed to level **Sashes**. Re-tighten when adjusted.

! CAUTION Handle Frameless Sash with care - Laminated Safety Glass will crack if abused.

8. Using as many workers as needed, slide assembled **Fume Hood** into place. Make sure hood is pushed back as far as possible against the wall.
9. Check sides of **Fume Hood Facias** for plumb, and top of hood for level. To level, shim beneath the **Fume Hood End Frames**. When complete, fasten **End Frames** to floor with anchors.
10. Using a silicon caulking or other suitable material, caulk the joint between the floor and the inside hood liner panels.
11. Coordinate connections of service fittings, electrical fixtures, and ductwork with the respective trades (i.e. mechanical, electrical, HVAC). After connections are complete, replace interior **Access Panels**, if removed, and the exterior **End Panels**. Cover screw holes in **End Panels** with 3/4" **Plastic Plug Buttons**.
12. Check both **Sashes** again for level and smooth movement. Adjust as needed.
To level, loosen pulley screws on **Sash Adjustment** mechanism and slide pulleys as necessary. (see Detail 2A)
To adjust **Sash** side-to-side, loosen screws on back of **Sash Handle** and slide the **Cable Connectors** as needed. (see Detail 2B)

! CAUTION When adjusting side-to-side, make sure sash edges clear the front pulleys.

13. Inspect the complete installation, remove any dust, dirt, or other debris. Check all moving parts for proper operation, and adjust or lubricate as necessary.

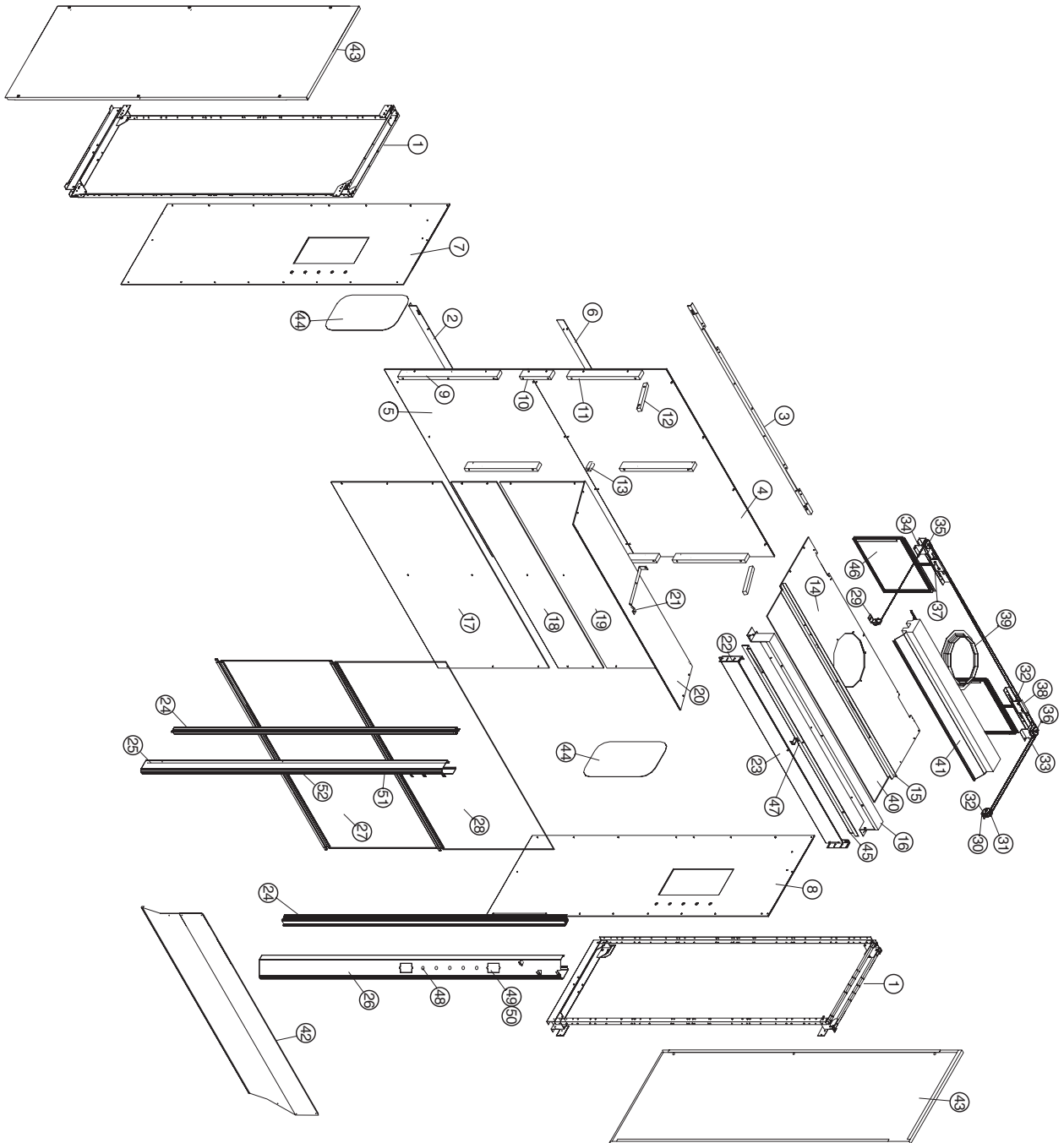
Options

- 10a. If hood has optional **Work Floor**, slide into place and caulk to inside liner panels.
- 12a. If hood has optional **Removable Work Surface**, slide in place on cleats mounted on side liner panels.

Supreme Air Walk-In Hood

with Vertical Rising Sash

NOTES:



PRT	QTY	DESCRIPTION
1	2	END FRAME WELDMENT
2	1	BOTTOM BACK LINER ANGLE
3	1	TOP BACK LINER ANGLE
4	1	TOP BACK LINER PANEL
5	1	BOTTOM BACK LINER PANEL
6	1	BACK PANEL SPICE ASSY
7	1	LEFT SIDE LINER PANEL
8	1	RIGHT SIDE LINER PANEL
9	2	BOTTOM SIDE CLEAT
10	2	LOWER SIDE CLEAT
11	4	UPPER CLEAT
12	2	SLOPING CLEAT
13	1	LOWER CENTER CLEAT
14	1	TOP LINER PANEL
15	1	LIGHT ANGLE
16	1	BYPASS PANEL
17	1	BOTTOM BAFFLE
18	1	LOWER BAFFLE
19	1	UPPER BAFFLE
20	1	SLOPING BAFFLE
21	1	SLOPING BAFFLE STRAP
22	2	BYPASS BLOCK PANEL ANGLE
23	1	BYPASS BLOCK OFF PANEL
24	2	SASH TRACK ASSEMBLY
25	1	LEFT FACIA
26	1	RIGHT FACIA
27	1	LOWER SASH ASSEMBLY
28	1	UPPER SASH ASSEMBLY
29	1	L FRONT PULLEY BRKT ASSY
30	1	R FRONT PULLEY BRKT ASSY
31	2	OUTSIDE PULLEY BRACKET
32	12	2" DIA. PULLEY
33	1	RIGHT REAR PULLEY BRACKET
34	1	LEFT REAR PULLEY BRACKET
35	1	L REAR PULLEY RETAINER ASSY
36	1	R REAR PULLEY RETAINER ASSY
37	2	SASH ADJUSTMENT BRACKET
38	2	SASH ADJUSTMENT PLATE
39	1	DUCT COLLAR
40	1	LIGHT GLASS
41	1	LIGHT
42	1	FRONT PANEL ASSEMBLY
43	2	END PANEL
44	2	ACCESS PANEL
45	1	FUME RETAINER
46	2	SASH WEIGHT ASSEMBLY
47	28	BYPASS BLOCK SUPPORT ANGLE
48	1	PLUG BUTTONS, 3/4" DIA. HOLE
49	1	BLANK FACE PLATE, ST/STEEL
50	1	FACE PLATE MOUNTING STRAP
51	1	LIGHT SWITCH
52	2	DUPLEX RECEPTACLE

H30 Fume Hood - Parts Listing