

Installation Instructions

Supreme Air

PERCHLORIC ACID FUME HOOD with Vertical Rising Sash

H25

S T Y L E

Fume Hoods

48" - 60" - 72" - 96" long

Supreme Air Bench Hood

Perchloric Acid Fume Hood w/Vertical Rising Sash

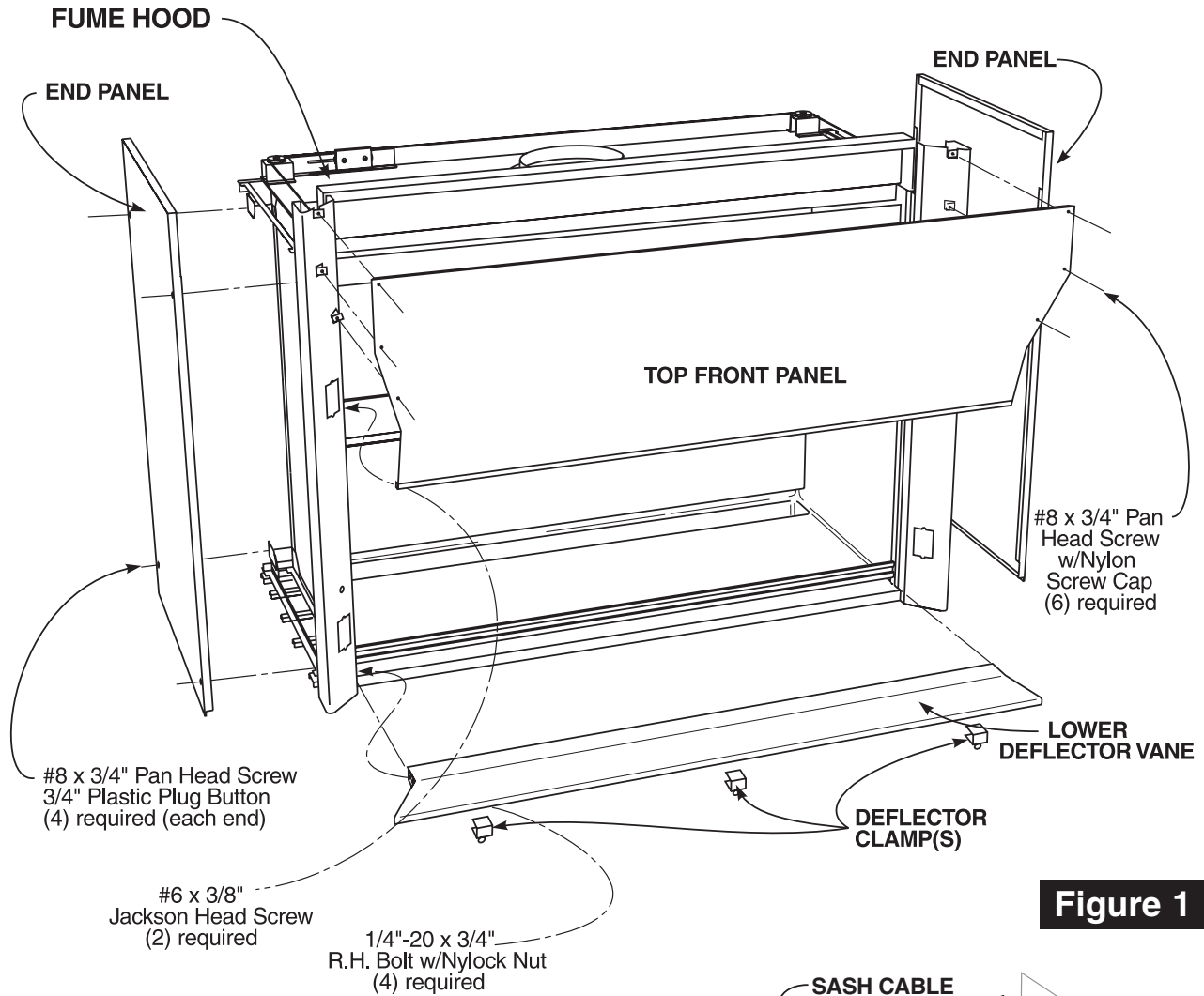


Figure 1

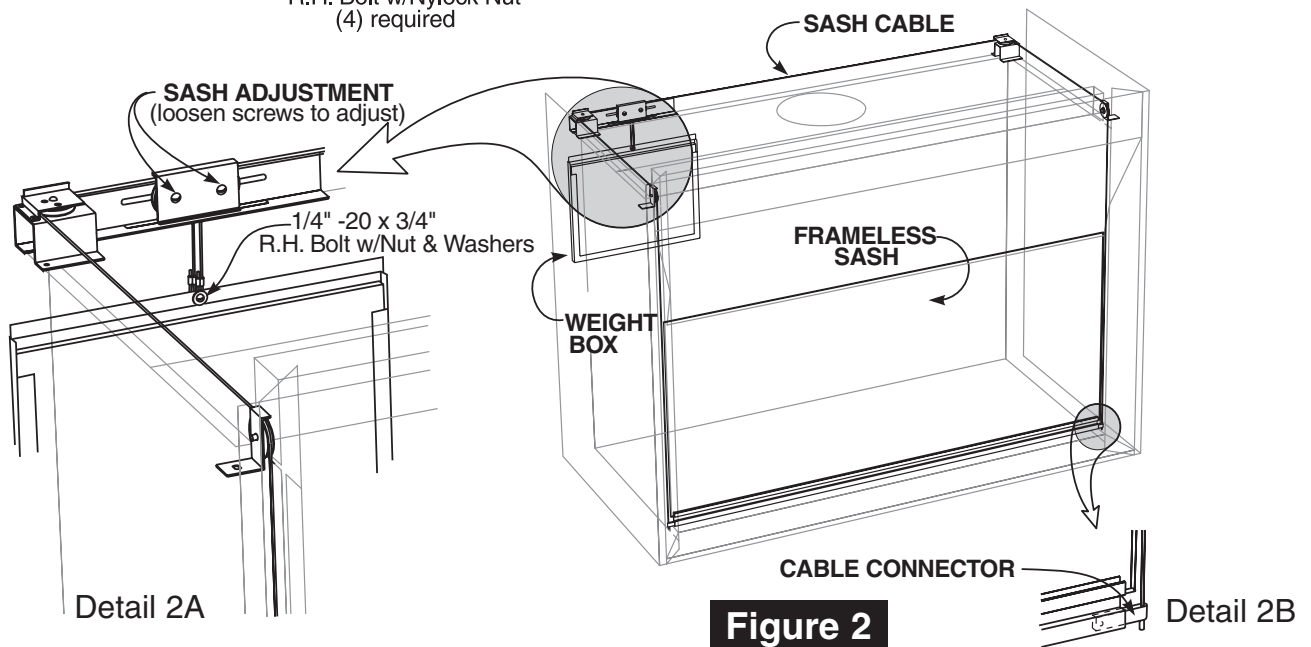


Figure 2

Supreme Air Bench Hood

Perchloric Acid Fume Hood w/Vertical Rising Sash

Packing List

On Pallet	Hardware Package
Fume Hood	(10) Nylon Screw Caps (EXTRAS)
Sash Weight Box	(10) 3/4" Plastic Plug Buttons (2 EXTRAS)
Hardware Package	(3) Deflectors Clamps

Preparation

1. Place, level, and install the **Base Unit Assembly** that will support the **Fume Hood**.

NOTICE **Base Unit Assembly** must be level. Shim beneath as needed.

2. Uncrate **Fume Hood** taking care to sort and inventory all parts.
3. Remove **End Panels** from **Fume Hood** and remove screws holding **Fume Hood** and **Weight Box** to pallet. (Save End Panel screws to reattach End Panel later.)
4. Remove all packing from **Fume Hood** and any tape holding parts in place for shipping.

NOTICE Fume Hood is packed fully assembled except for Weight Box. The Top Front Panel and Lower Deflector Vane may be removed to fit through narrow doorways and/or for easier access.

NOTICE Generally electrical fixtures and plumbing fittings are shipped installed, but may be shipped loose depending on job requirements. Fittings may also be pre-wired and/or pre-piped. Fixtures are not shown on assembly diagram as quantities and locations vary to meet individual requirements.

Installation

5. Check that **Sash Cables** are properly routed over front pulleys, around rear pulleys, and through the **Sash Adjustment** pulleys. (see Figure 2)
6. Attach **Weight Box** to cables using one (1) 1/4" -20 x 3/4" R.H. Bolt, Nylock Nut, and two (2) Flat Washers (bolt, nut, and washer shipped attached to cable ends)
7. Loosen **Sash Adjustment** pulley bolts and slide pulleys as needed to level sash. Re-tighten when adjusted.

CAUTION Handle Frameless Sash with care - Laminated Safety Glass will crack if abused.

8. Using as many workers as needed, lift assembled **Fume Hood** and place on leveled **Base Unit Assembly**. Make sure hood is centered side-to-side on **Base Unit Assembly** and overhangs the front by 1 1/2".

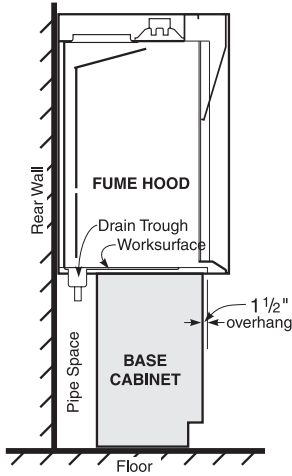
CAUTION If hood is pushed too far back, **Sash Weights** will not operate properly and **End Panels** will not fit.

9. Attach the spacer tabs on the bottom of the **Lower Deflector Vane** to the **Worksurface** using the **Deflector Clamps**.
10. Coordinate connections of service fittings, electrical fixtures, and ductwork with the respective trades (i.e. mechanical, electrical, HVAC). After connections are complete, replace the exterior **End Panels**. Cover screw holes in **End Panels** with 3/4" **Plastic Plug Buttons**.
11. Check **Sash** again for level and smooth movement. Adjust as needed.
To level, loosen pulley screws on **Sash Adjustment** mechanism and slide pulleys as necessary. (see Detail 2A)
To adjust **Sash** side-to-side, loosen screws on back of **Sash Handle** and slide the **Cable Connectors** as needed. (see Detail 2B)

CAUTION When adjusting side-to-side, make sure sash edges clear the front pulleys.

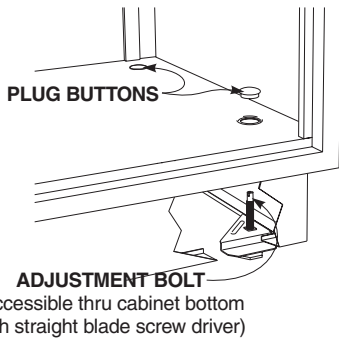
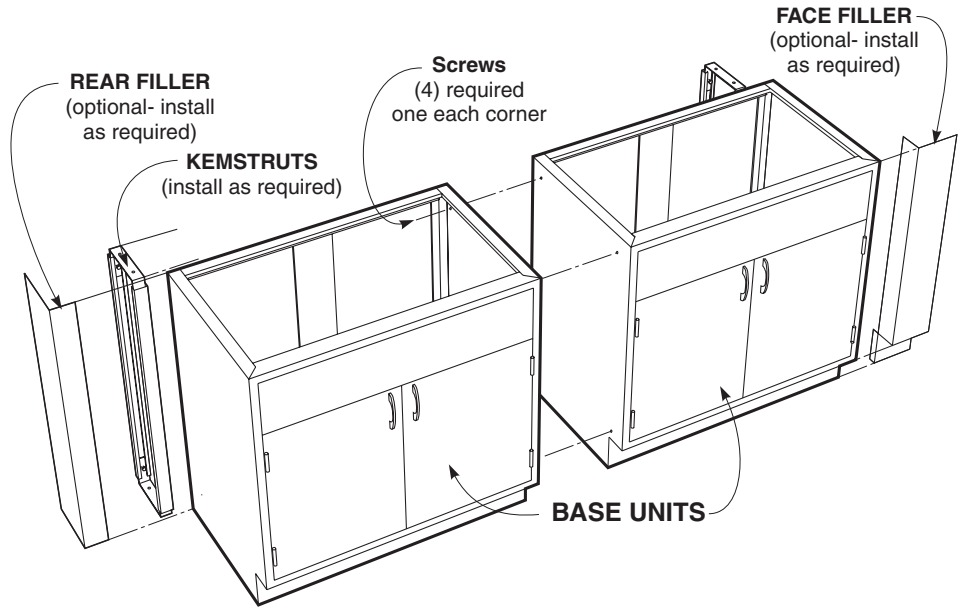
12. Inspect the complete installation, remove any dust, dirt, or other debris. Check all moving parts for proper operation, and adjust or lubricate as necessary.

Base Unit Assembly for Bench Type Fume Hoods



Detail 1

Fume Hood Base Cabinet Location



Detail 2S

Steel base cabinets are leveled using the adjustment bolts located in the cabinet base.

Preparation

1. Locate and mark hood and base cabinet locations making sure area is clear of obstructions and debris. Be sure all conduit, duct work and service lines have been run and are ready for final connections.

NOTICE Kemstruts and other pipe or worksurface supports should be installed before the base cabinets are moved into place.

2. Locate the high point of the floor within the area that the base cabinets will be installed.

Installation

3. Starting with the base cabinet on the highest point on the floor, move the first cabinet into location. Make sure the back of the cabinet is located 8" from the rear wall, as shown in Detail 1 above, and in proper relationship to adjacent walls or equipment as shown on job drawings and floor plans.
4. Using a four foot carpenters level, level the cabinet; side-to-side, front-to-back, and diagonally. (see Detail 2S to the left for leveling methods)

NOTICE Blocks or cleats may be used to fasten cabinets to floor or walls to insure cabinets don't move during installation.

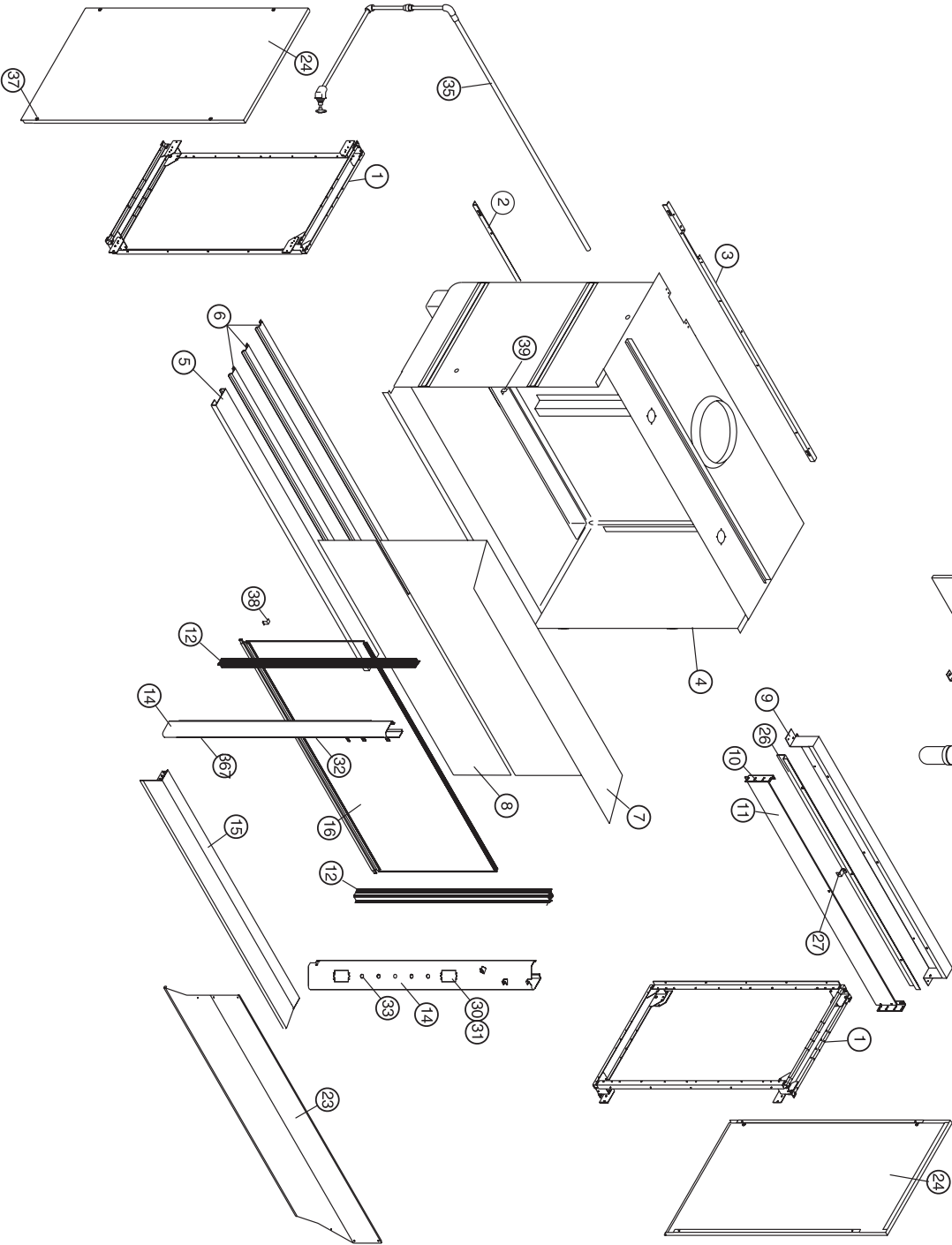
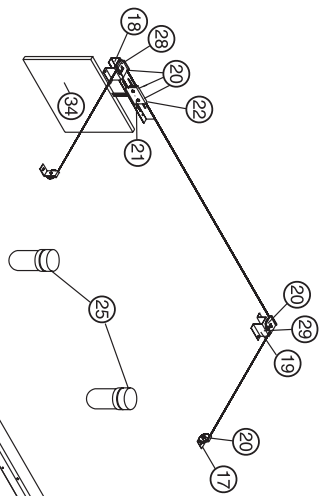
5. Move the next cabinet into position and clamp it to the first cabinet, making sure that the cabinet faces and tops are flush.
6. Level the cabinet, as in step 4.
7. Using four (4) #8 x 1/2" Truss Head Sheet Metal screws, fasten the two cabinets together at all four corners of the end panels. (pilot holes must be drilled in the steel cabinets before driving screws)
8. Complete hood installation and all mechanical connections before installing any required fillers or scribes.

NOTICE It is recommended that the polyethylene liner be removed from Acid Storage cabinets during installation to allow fastening to adjacent cabinets and ease plumbing connections. Be sure to replace when installation is complete.

Supreme Air Bench Hood

Perchloric Acid Fume Hood w/Vertical Rising Sash

NOTES:



PRT	QTY	DESCRIPTION
39	1	SASH STOP, SIDE PANEL MOUNT
38	1	SASH STOP, BACK OF HANDLE
37	8	3/4" DIA. HOLE PLUG BUTTONS
36	1	FRONT LOAD COLD WATER
35	1	WASHDOWN KIT
34	1	SASH WEIGHT ASSEMBLY
33	2	DUPLEX RECEPTACLE
32	1	LIGHT SWITCH
31	1	FACE PLATE MOUNTING STRAP
30	1	BLANK FACE PLATE, ST/STEEL
29	1	RIGHT REAR CABLE RETAINER
28	1	LEFT REAR CABLE RETAINER
27	1	BYPASS BLOCK SUPPORT ANGLE
26	2	FUME RETAINER
25	2	VAPOR PROOF LIGHT
24	2	END PANEL
23	1	FRONT PANEL ASSEMBLY
22	1	SASH ADJUSTMENT PLATE
21	1	SASH ADJUSTMENT BRACKET
20	8	2" DIA. PULLEY
19	1	RIGHT REAR PULLEY BRACKET
18	1	LEFT REAR PULLEY BRACKET
17	2	FRONT PULLEY BRACKET
16	1	SASH ASSEMBLY
15	1	DEFLECTOR VANE WELDMENT
14	1	RIGHT FACIA
13	1	LEFT FACIA
12	2	SASH TRACK ASSEMBLY
11	1	BYPASS BLOCK OFF PANEL
10	2	BYPASS BLOCK PANEL ANGLE
9	1	BYPASS PANEL
8	1	LOWER REMOVABLE BAFFLE
7	1	UPPER REMOVABLE BAFFLE
6	3	CENTER WORKTOP REINFORCEMENT
5	1	FRONT WORKTOP REINFORCEMENT
4	1	PERCH, WRAPAROUND WELDMENT
3	1	TOP BACK LINER ANGLE
2	1	BOTTOM BACK LINER ANGLE
1	2	END FRAME WELDMENT

H25 Fume Hood - Parts Listing