

# Installation Instructions

---

# Supreme Air

## **BENCH FUME HOOD**

### with Split Vertical Rising Sash

# H10

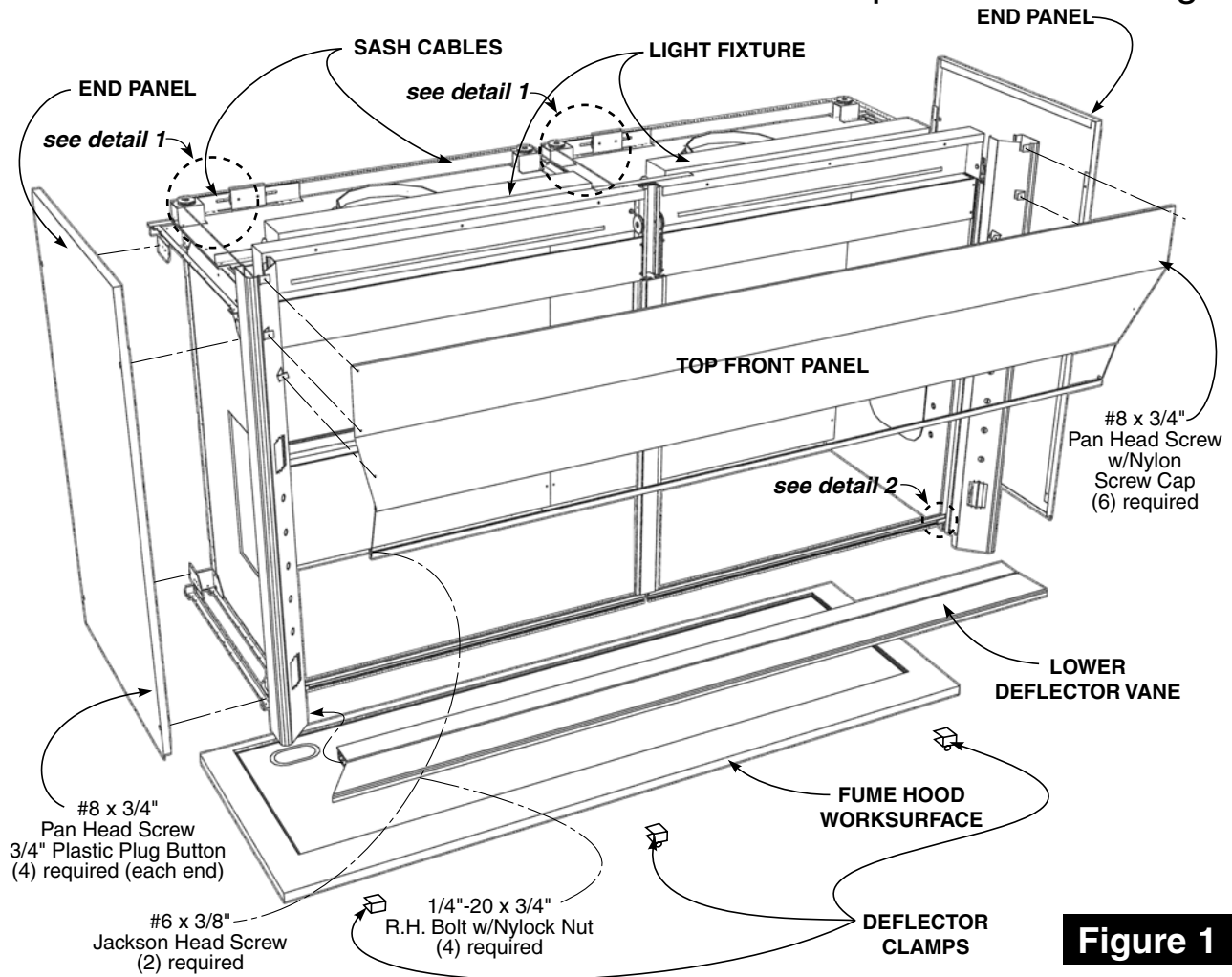
S T Y L E

## Fume Hoods

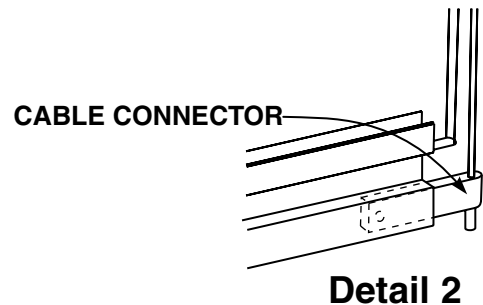
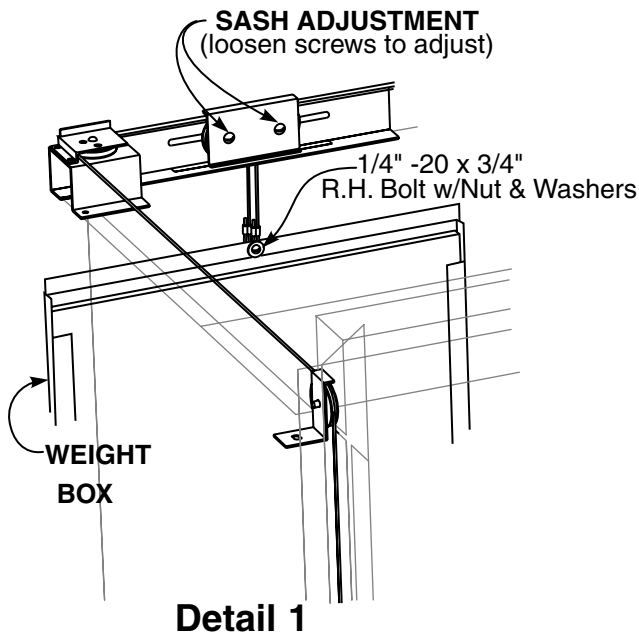
96" - 120" - 144" long

# Supreme Air Bench Hood

## Fume Hood w/Split Vertical Rising Sash



**Figure 1**



# Supreme Air Bench Hood

## Fume Hood w/Split Vertical Rising Sash

### Packing List

<b>On Pallet</b>	Fume Hood	<b>Hardware Package</b>	
	Sash Weight Box	(10)	Nylon Screw Caps (EXTRAS)
	Hardware Package	(10)	3/4" Plastic Plug Buttons (2 EXTRAS)
		(3)	Deflector Clamps

**NOTICE** Fume Hood Worksurface is packaged separately.

### Preparation

1. Place, level, and install the **Base Unit Assembly** that will support the **Fume Hood** as shown on page 4.
2. Attach the **Fume Hood Worksurface** to the **Base Unit Assembly** at the corners using epoxy cement or similar adhesive.

**NOTICE** Worksurface should be centered on units and overhang the front by 1 1/2". Worksurface must be level. Shim beneath as needed. Top may not extend all the way to rear wall.

3. Uncrate **Fume Hood** taking care to sort and inventory all parts.
4. Remove **End Panels** from **Fume Hood** and remove screws holding **Fume Hood** and **Weight Box** to pallet. (Save End Panel screws to reattach End Panel later.)
5. Remove all packing from **Fume Hood** and any tape holding parts in place for shipping.

**NOTICE** Fume Hood is packed fully assembled except for Weight Box. The Light Fixture, Top Front Panel, and Lower Deflector Vane may be removed to fit through narrow doorways and/or for easier access.

**NOTICE** Generally electrical fixtures and plumbing fittings are shipped installed, but may be shipped loose depending on job requirements. Fittings may also be pre-wired and/or pre-piped. Fixtures are not shown on assembly diagram as quantities and locations vary to meet individual requirements.

### Installation

6. Check that **Sash Cables** are properly routed over front pulleys, around rear pulleys, and through the **Sash Adjustment** pulleys. (see Detail 1)
7. Attach **Weight Boxes** to cables using one (1) 1/4" -20 x 3/4" R.H. Bolt, Nylock Nut, and two (2) Flat Washers for each **Weight Box** (bolt, nut, and washer shipped attached to cable ends).
8. Loosen **Sash Adjustment** pulley bolts and slide pulleys as needed to level each sash. Re-tighten when adjusted.

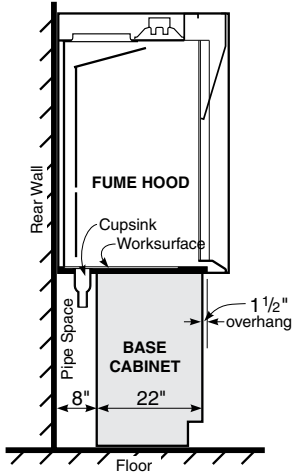
**CAUTION** Handle Frameless Sash with care - Laminated Safety Glass will crack if abused.

9. Using as many workers as needed, lift assembled **Fume Hood** and place on leveled **Worksurface**. Make sure hood is pushed back as far as possible and centered on **Base Unit Assembly**. Check **End Panels** for plumb and square.
10. Attach the spacer tabs on the bottom of the **Lower Deflector Vane** to the **Worksurface** using the **Deflector Clamps**. Check that **Lower Deflector Vane** is straight and level.
11. Coordinate connections of service fittings, electrical fixtures, and ductwork with the respective trades (i.e. mechanical, electrical, HVAC). After connections are complete, replace interior **Access Panels**, if removed, and the exterior **End Panels**. Cover screw holes in **End Panels** with 3/4" **Plastic Plug Buttons**.
12. Check **Sashes** again for level and smooth movement. Adjust as needed.  
To level, loosen pulley screws on **Sash Adjustment** mechanism and slide pulleys as necessary. (see Detail 1)  
To adjust **Sash** side-to-side, loosen screws on back of **Sash Handle** and slide the **Cable Connectors** as needed. (see Detail 2)

**CAUTION** When adjusting side-to-side, make sure sash edges clear the front pulleys.

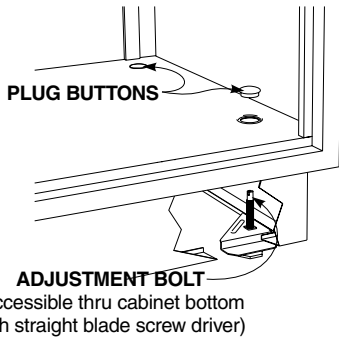
13. Inspect the complete installation, remove any dust, dirt, or other debris. Assure that other trades (electrical, Plumbing, HVAC, VAV Control, etc.) have not added any friction to the sash system. Check all moving parts for proper operation, and adjust or lubricate as necessary.

# Base Unit Assembly for Bench Type Fume Hoods



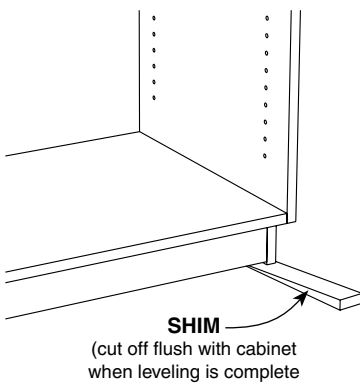
**Detail 1**

*Fume Hood Base Cabinet Location*



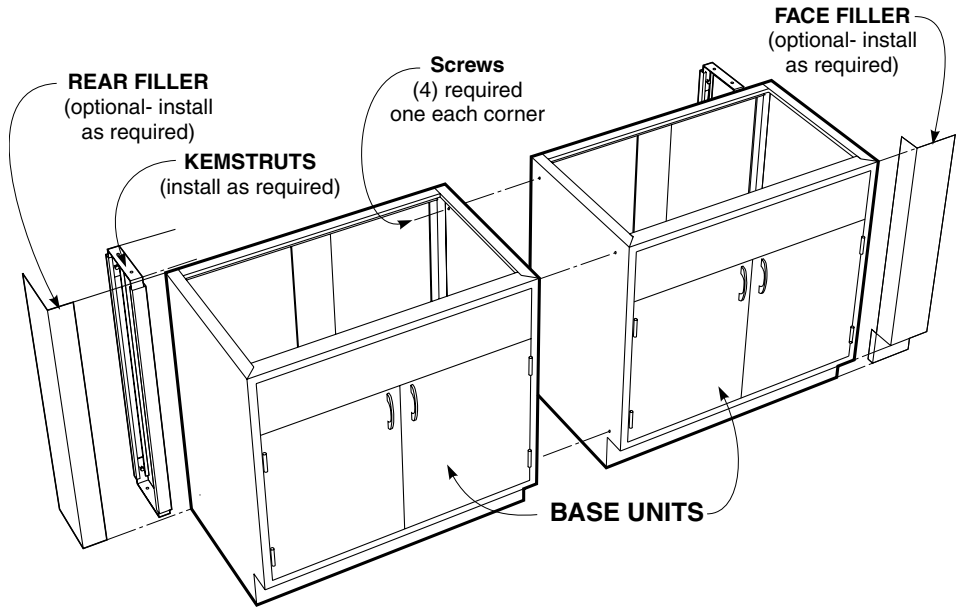
**Detail 2S**

*Steel base cabinets are leveled using the adjustment bolts located in the cabinet base.*



**Detail 2W**

*Wood base cabinets are leveled using shims.*



**Preparation**

1. Locate and mark hood and base cabinet locations making sure area is clear of obstructions and debris. Be sure all conduit, duct work and service lines have been run and are ready for final connections.

**NOTICE** Kemstruts and other pipe or worksurface supports should be installed before the base cabinets are moved into place.

2. Locate the high point of the floor within the area that the base cabinets will be installed.

**Installation**

3. Starting with the base cabinet on the highest point on the floor, move the first cabinet into location as shown in Detail 1 and according to project drawings.
4. Using a four foot carpenters level, level the cabinet; side-to-side, front-to-back, and diagonally. (see Detail 2S and 2W to the left for leveling methods)

**NOTICE** Blocks or cleats may be used to fasten cabinets to floor or walls to insure cabinets don't move during installation.

5. Move the next cabinet into position and clamp it to the first cabinet, making sure that the cabinet faces and tops are flush.
6. Level the cabinet, as in step 4.
7. Using four (4) screws, as listed below, fasten the two cabinets together at all four corners of the end panels.  
Use #8 x 1-1/4" Flat Head screws for wood cabinets.  
Use #8 x 1/2" Truss Head Sheet Metal screws for steel cabinets.  
(pilot holes must be drilled in the steel cabinets before driving screws)

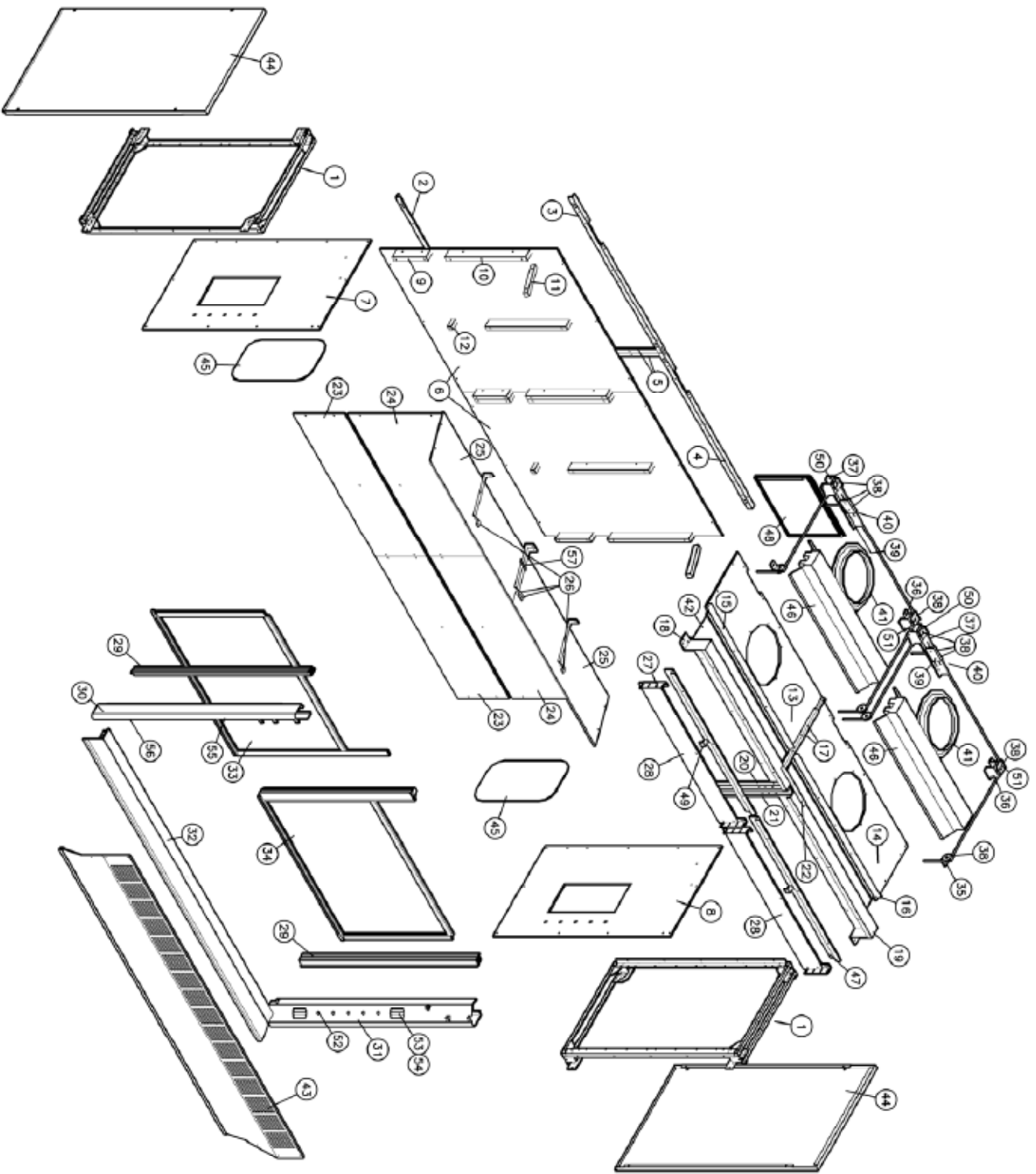
8. Complete hood installation and all mechanical connections before installing any required fillers or scribes.

**NOTICE** It is recommended that the polyethylene liner be removed from Acid Storage cabinets during installation to allow fastening to adjacent cabinets and ease plumbing connections. Be sure to replace when installation is complete.

# Supreme Air Bench Hood

## Fume Hood w/Split Vertical Rising Sash

### NOTES:



PRT	QTY	DESCRIPTION
1	1	BAFFLE SPLICE
2	2	DUPLEX RECEPTACLE
3	1	LIGHT SWITCH
4	1	FACE PLATE MOUNTING PLATE
5	1	BLANK FACE PLATE, ST/STEEL
6	28	PLUG BUTTONS, 3/4" DIA. HOLE
7	2	RIGHT REAR CABLE RETAINER
8	2	LEFT REAR CABLE RETAINER
9	2	BYPASS BLOCK SUPPORT ANGLE
10	2	LIGHT
11	2	FUME RETAINER
12	2	LIGHT
13	2	ACCESS PANEL
14	2	END PANEL
15	2	FRONT PANEL ASSEMBLY
16	2	LIGHT GLASS
17	2	DUCT COLLAR
18	2	SASH ADJUSTMENT PLATE
19	2	SASH ADJUSTMENT BRACKET
20	12	2" DIAMETER PULLEY
21	2	LEFT REAR PULLY BRACKET
22	2	RIGHT REAR PULLY BRACKET
23	2	FRONT PULLY BRACKET
24	2	RIGHT SASH ASSEMBLY
25	1	LEFT SASH ASSEMBLY
26	1	DEFLECTOR VANE WELDMENT
27	1	RIGHT FASCIA
28	1	LEFT FASCIA
29	2	SASH TRACK
30	2	BYPASS BLOCK OFF PANEL
31	2	BYPASS BLOCK OFF ANGLE
32	4	SLOPING BAFFLE STRAP
33	2	UPPER BAFFLE
34	2	LOWER BAFFLE
35	2	BYPASS SPLICE
36	1	RIGHT TRACK GUIDE ANGLE
37	1	LEFT TRACK GUIDE ANGLE
38	1	RIGHT BYPASS PANEL
39	1	LEFT BYPASS PANEL
40	2	TOP CENTER HORIZONTAL ANGLE
41	1	RIGHT LIGHT ANGLE
42	1	LEFT LIGHT ANGLE
43	1	TOP RIGHT LINER PANEL
44	1	TOP LEFT LINER PANEL
45	1	LOWER CENTER CLEAT
46	2	SLOPING CLEAT
47	4	UPPER CLEAT
48	6	LOWER SIDE CLEAT
49	1	RIGHT SIDE LINER PANEL
50	1	LEFT SIDE LINER PANEL
51	2	BACK LINER PANEL
52	2	REAR CENTER VERTICAL ANGLE
53	1	TOP BACK RIGHT LINER ANGLE
54	1	TOP BACK LEFT LINER ANGLE
55	1	BOTTOM BACK LINER ANGLE
56	2	END FRAME WELDMENT

# H10 Fume Hood - Parts Listing