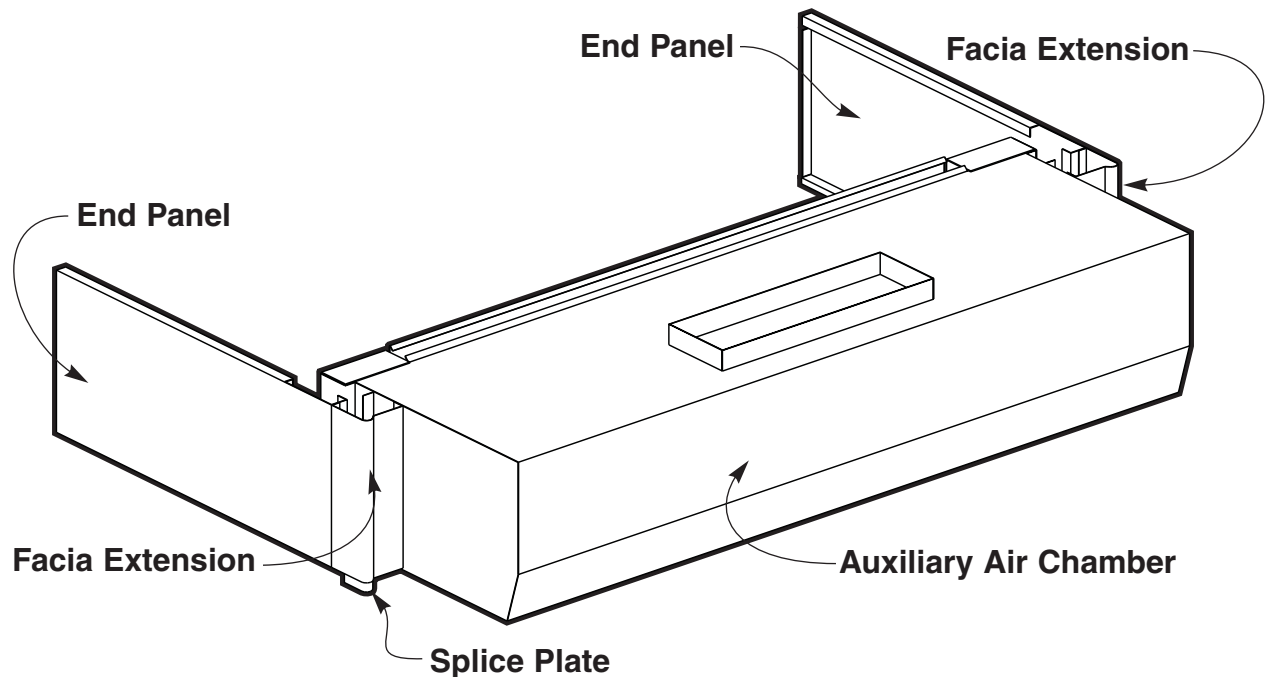


Supreme Air Auxiliary Air Chamber



1. Attach **Fascia Extensions** to **Auxiliary Air Chamber** with (2) #8x $\frac{3}{4}$ " self tapping screws. (typical both ends)
2. Mount assembly from Step 1 to top of fume hood by aligning **Fascia Extensions** with top of Fascias on hood. (**Splice Plates** on extensions should fit inside of fascia on hood)
3. Screw Auxiliary Air Chamber assembly to top side of Bypass Area located on top of hood just behind the plane of the sash, with (6) #8x $\frac{3}{4}$ " self tapping screws. (3 screws at each end)
4. Attach **End Panels** to wall and to **Fascia Extensions** on exposed ends of fume hood.