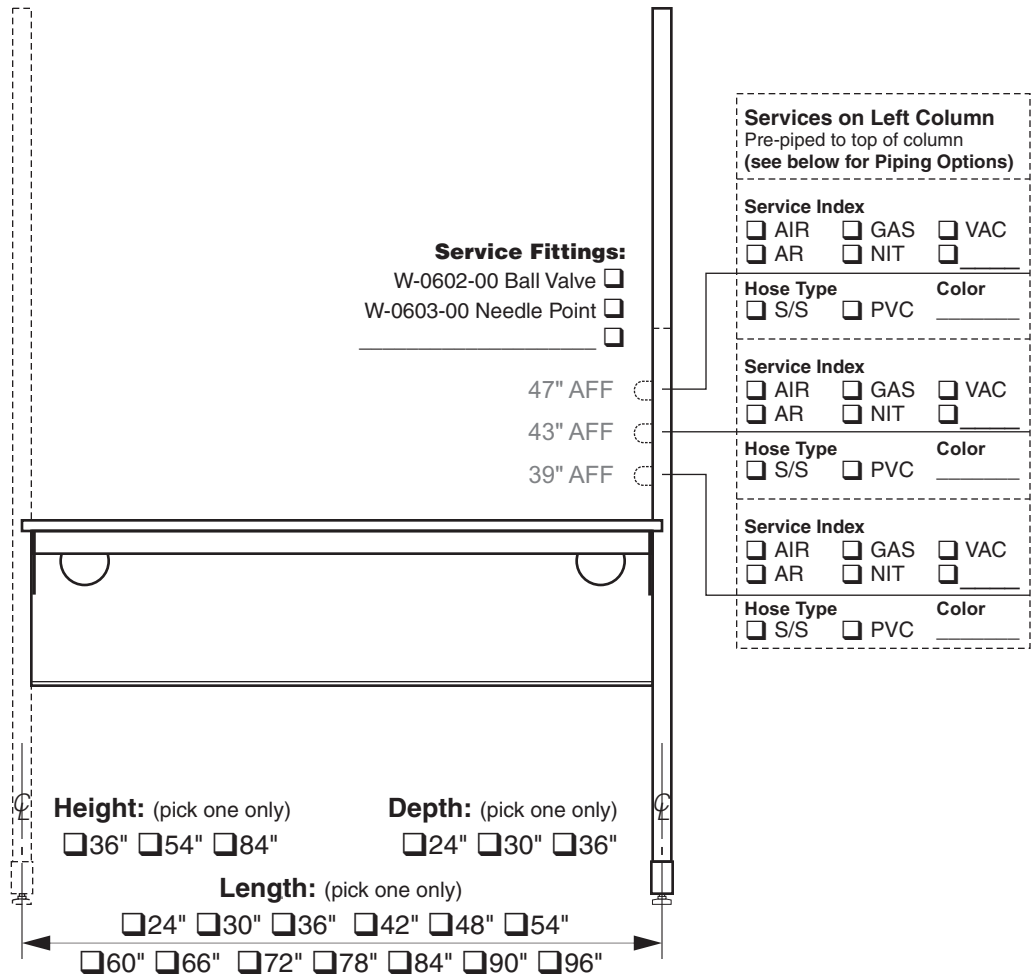


Evolution Workstation

FV41MXXXXXX-XX

12" Column, Double-sided, Add-on Module



Accent Panel Option: (pick one only)
 0 Plastic Laminate
 1 Powder Coated Steel

Foot Option: (pick one only)
 0 1 1/2" Diameter Glide
 1 4" Swivel Locking Caster
 2 4" Heavy Duty Leveling Caster

Work Top Material: (pick one only)
 P Plastic Laminate T Phenolic Resin
 E ESD Laminate R Kemresin
 - No Work Top

Extended Length Option: (pick one only)
 0 Standard Length B Extended on Both Ends
 L Extended on Left End R Extended on Right End

Right Column Piping Option (pick one only)
Length above top of 84" Column
 3ft 4ft 5ft 6ft 8ft

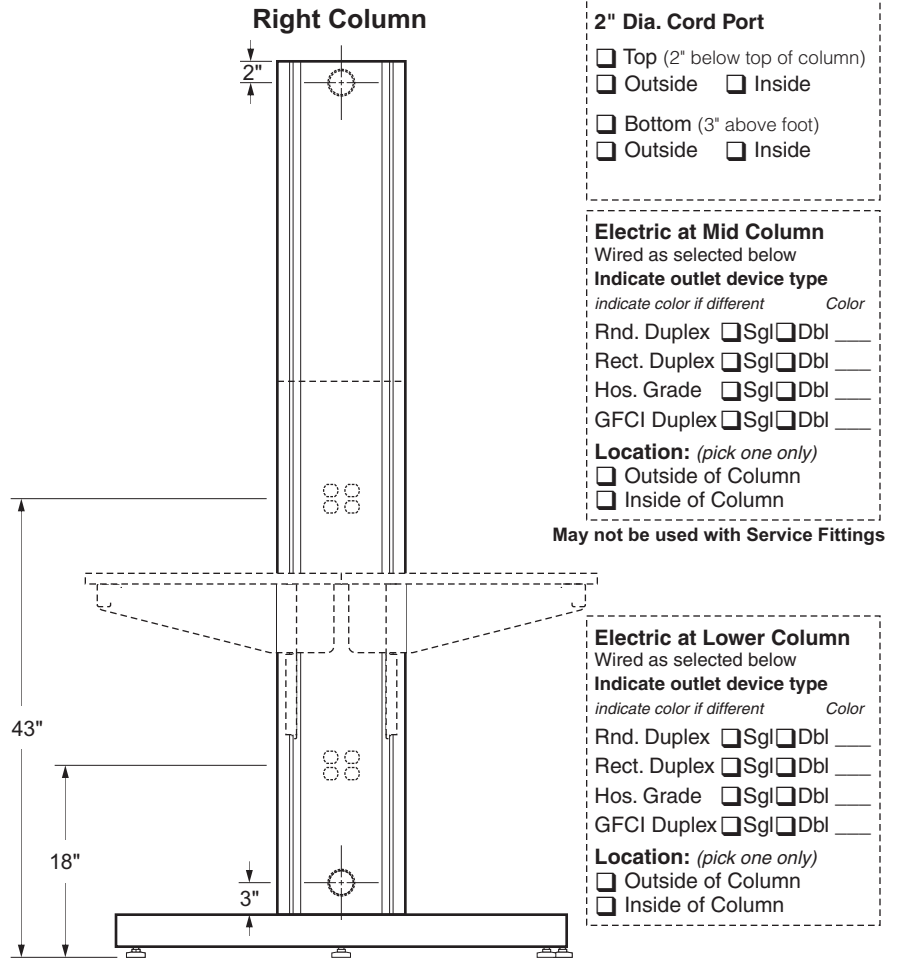
Piping/Hose End Option (pick one only)
 3/8" IPS Threaded Female (standard)
 3/8" IPS Threaded Male
 Keyed Male Quick-Connect W-8111-K_

FV41M	HEIGHT	DEPTH	LENGTH	ACCENT FOOT	WORKSTATION COLOR	ACCENT COLOR	TOP COLOR
	<input type="checkbox"/>	<input type="checkbox"/>	<input type="checkbox"/>	<input type="checkbox"/>	<input type="checkbox"/>	<input type="checkbox"/>	<input type="checkbox"/>
PROJECT NAME:	ITEM NO.		ROOM NO.	QUANTITY			

Evolution Workstation

12" Column, Double-sided, Add-om Module

FV41MXXXXXX-XX



Electrical Device Color (*pick one only*)
 Black Ivory Grey Red _____
all devices same color unless noted above

Right Column Electric Wiring (*pick one only*)

Single Circuit, Straight plug (NEMA 5-20)
 Single Circuit, Twist-lock plug (NEMA L5-20)
 Double Circuit, Twist-lock plug (NEMA 14-20)
 None

Pigtail Length: (*pick one only*)
 3ft 4ft 5ft 6ft 8ft _____

Exit Post: (*pick one only*)
 at Top at Bottom