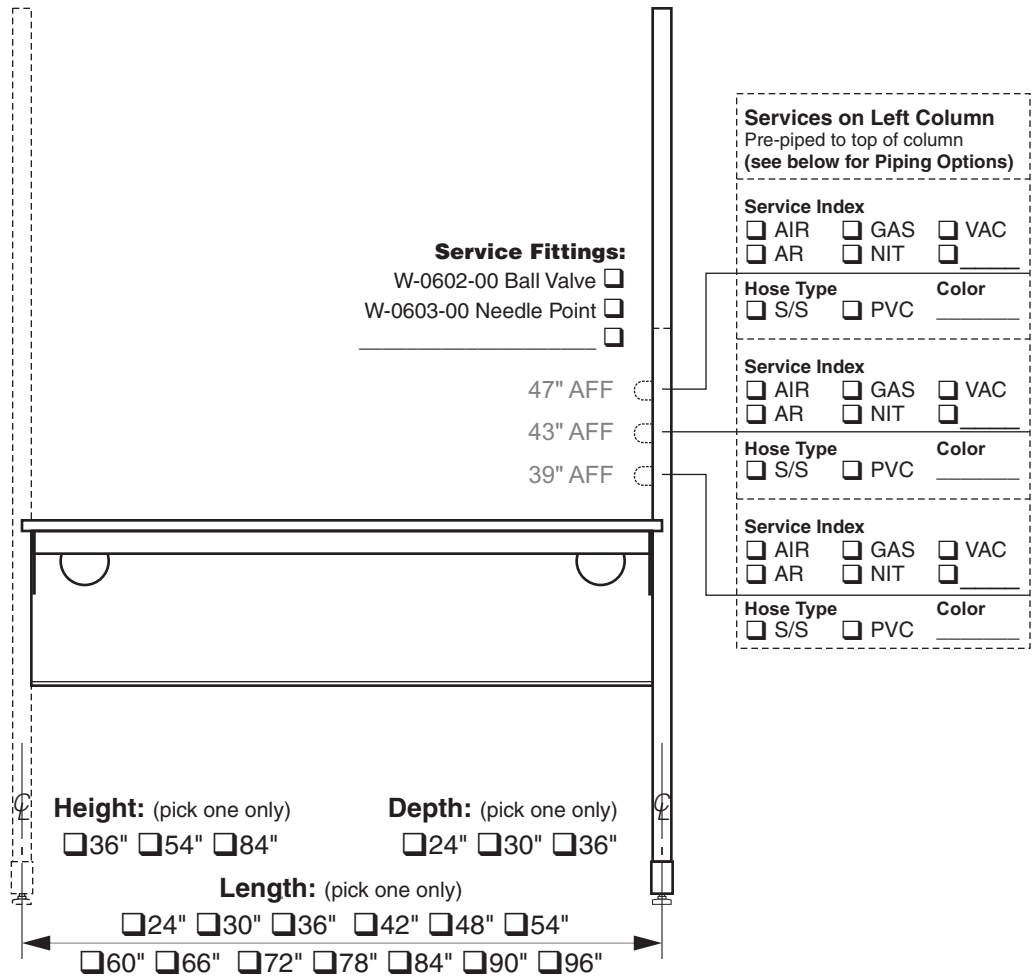


# Evolution Workstation

# FV21MXXXXXX-XX

9" Column, Double-sided, Add-on Module



**Accent Panel Option:** (pick one only)  
 0 Plastic Laminate  
 1 Powder Coated Steel

**Foot Option:** (pick one only)  
 0 1 1/2" Diameter Glide  
 1 4" Swivel Locking Caster  
 2 4" Heavy Duty Leveling Caster

**Work Top Material:** (pick one only)  
 P Plastic Laminate  T Phenolic Resin  
 E ESD Laminate  R Kemresin  
 - No Work Top

**Extended Length Option:** (pick one only)  
 0 Standard Length  B Extended on Both Ends  
 L Extended on Left End  R Extended on Right End

**Right Column Piping Option** (pick one only)  
**Length above top of 84" Column**  
 3ft  4ft  5ft  6ft  8ft  
 \_\_\_\_\_

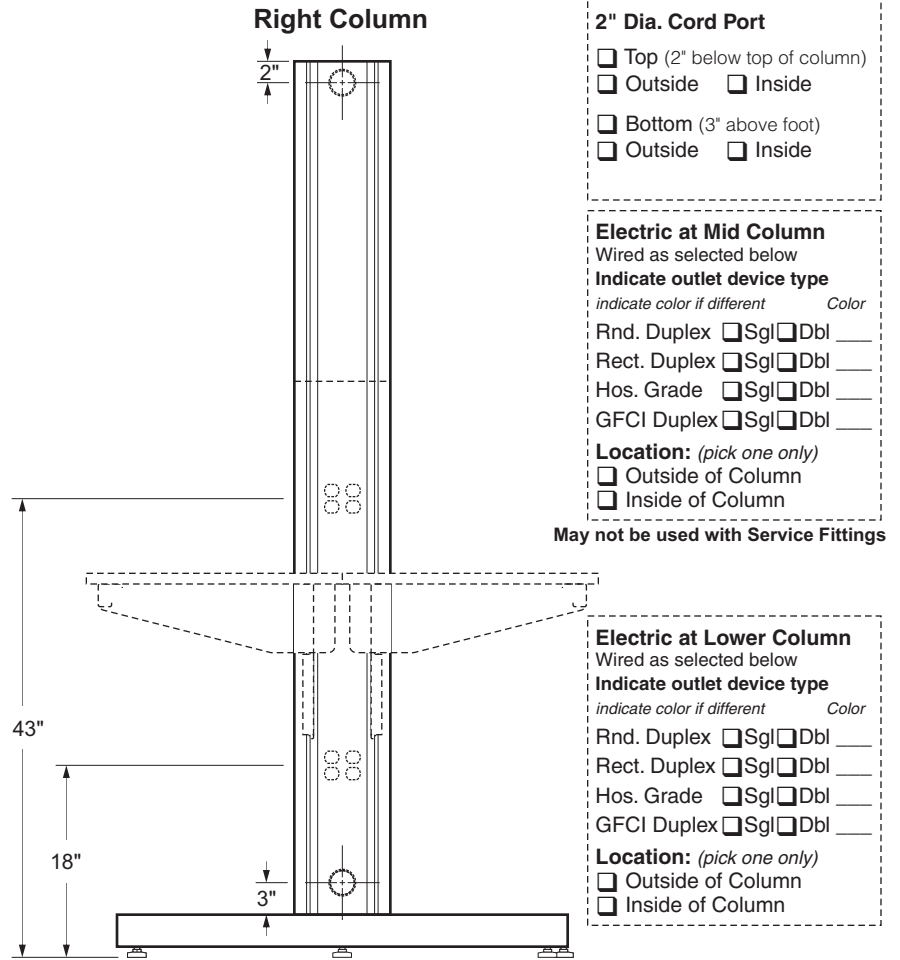
**Piping/Hose End Option** (pick one only)  
 3/8" IPS Threaded Female (standard)  
 3/8" IPS Threaded Male  
 Keyed Male Quick-Connect W-8111-K\_  
 \_\_\_\_\_

<b>FV21M</b>	HEIGHT	DEPTH	LENGTH	ACCENT FOOT	WORKSTATION COLOR	ACCENT COLOR	TOP COLOR
	<input type="checkbox"/>	<input type="checkbox"/>	<input type="checkbox"/>	<input type="checkbox"/>	<input type="checkbox"/>	<input type="checkbox"/>	<input type="checkbox"/>
PROJECT NAME:	ITEM NO.		ROOM NO.		QUANTITY		

# Evolution Workstation

9" Column, Double-sided, Add-on Module

# FV21MXXXXXX-XX



**Electrical Device Color** (*pick one only*)  
 Black  Ivory  Grey  Red  \_\_\_\_\_  
*all devices same color unless noted above*

**Right Column Electric Wiring** (*pick one only*)

Single Circuit, Straight plug (NEMA 5-20)  
 Single Circuit, Twist-lock plug (NEMA L5-20)  
 Double Circuit, Twist-lock plug (NEMA 14-20)  
 None  
 \_\_\_\_\_

**Pigtail Length:** (*pick one only*)  
 3ft  4ft  5ft  6ft  8ft  \_\_\_\_\_

**Exit Post:** (*pick one only*)  
 at Top  at Bottom