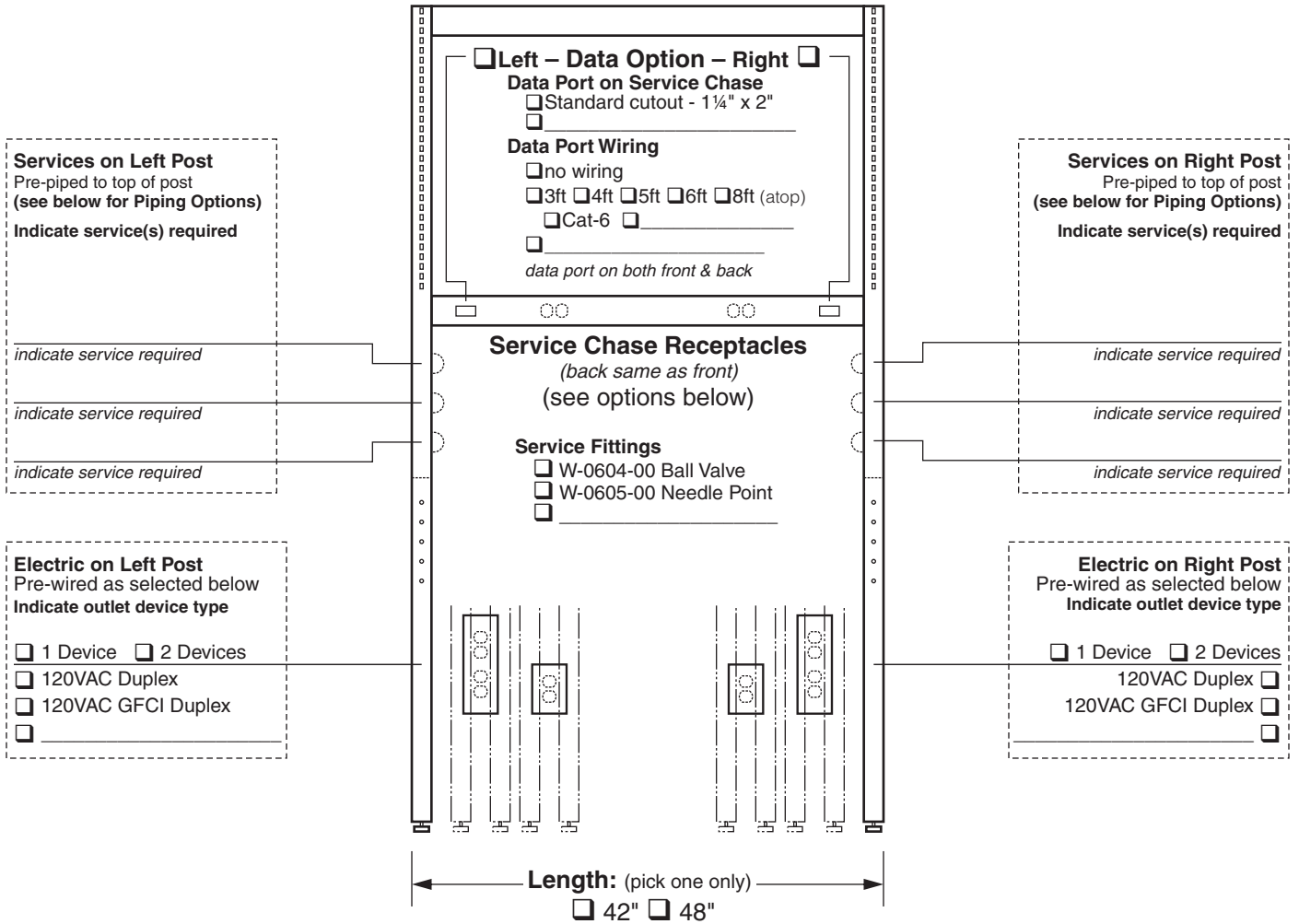


Enterprise Workstation Support Frame **FE33M8406XX-00**

Double-sided, Twin Tube Support Frame with 48" high Vertical Chase



Power Options: (indicate options required)
Electrical Device Color (pick one only)
 Black Ivory _____

Service Chase Receptacles (pick one only)
 Two (2) 120 VAC, 20 amp, Duplex (each side)
 Two (2) 120 VAC, 20 amp, GFCI, Duplex (each side)
 None

Service Chase/Post Electric Wiring (pick one only)
 3ft 4ft 5ft 6ft 8ft (above top of post)
 Single Circuit pigtail, twist-lock plug
 Double Circuit pigtail, twist-lock plug
 None

Electrical Pigtail Location (pick one only)
 Top of Left Upright
 Top of Right Upright

Piping Options: (indicate options required)
Piping Option (pick one only)
 Pipe to top of post
 Pipe to top of post with extra:
 3ft 4ft 5ft 6ft 8ft of hose

Piping/Hose End Option (pick one only)
 3/8" IPS Threaded Female (standard)
 3/8" IPS Threaded Male
 Keyed Male Quick-Connect W-8111-K_ _____

Specify Extension Hoses Separately

Support Frames are tested and certified to UL standard 61010-1 when pre-wired with cataloged fixtures.

FE33M8406 <input type="checkbox"/> <input type="checkbox"/> -00 PROJECT NAME: _____	LENGTH	COLOR	ITEM NO.
	QUANTITY		