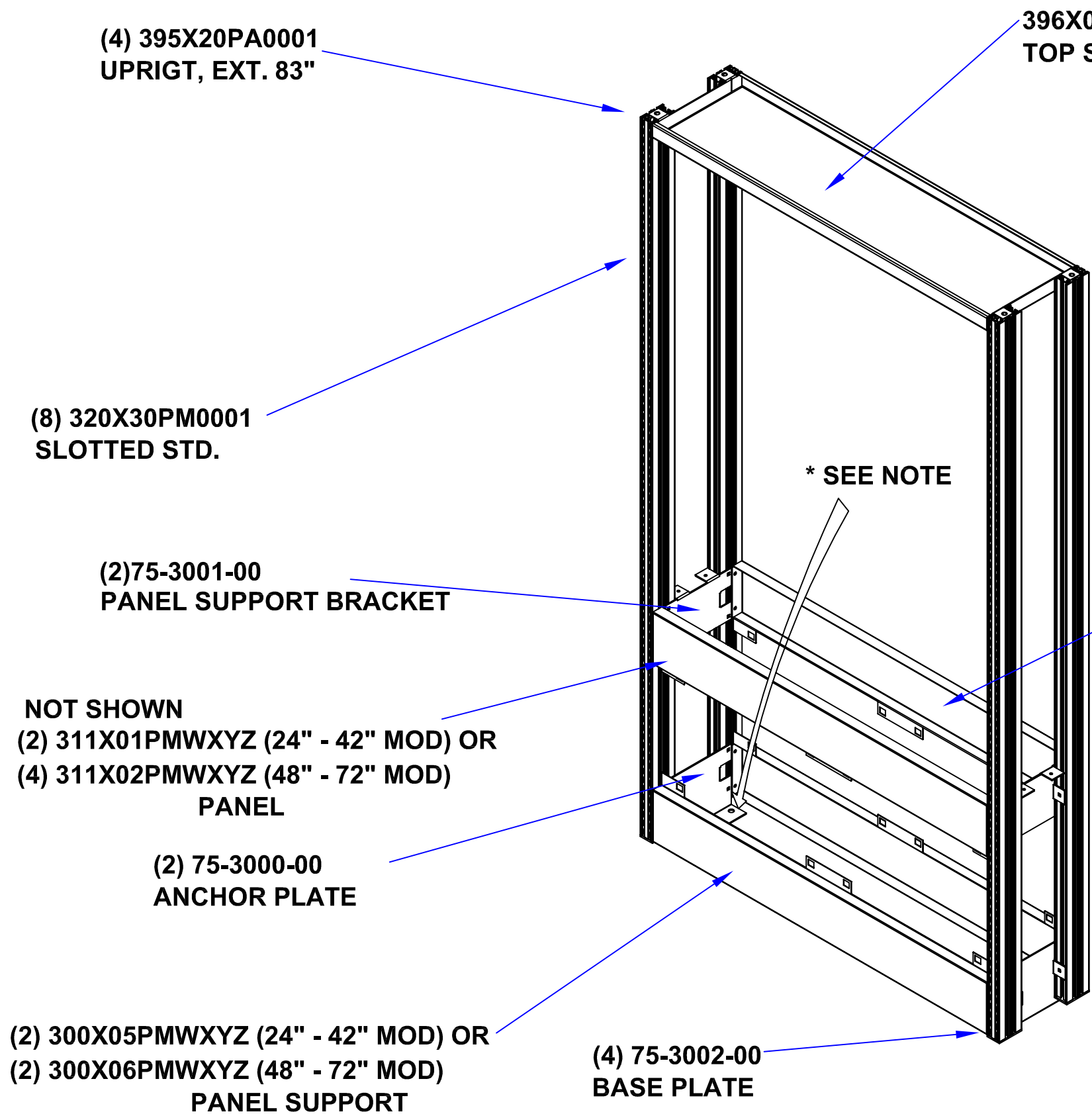


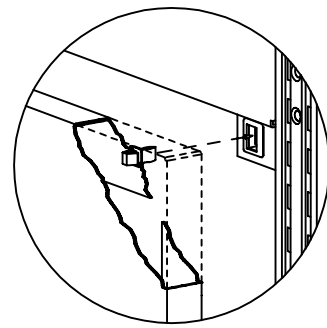
	DATE	BY
DWN.	12/01/03	S.HUGGINS
DET.		
CKD.		

LTR	REVISIONS
-----	-----------

DWG.NO.	-
PART NO.	F36-ASSY



***NOTE:**
LOCATE AND LEVEL ASSEMBLY DRILL HOLE
USE 3/8" x 4" SLEAVED CONCRETE ANCHOR PROVIDED BY OTHERS



PANEL STRIKE & LATCH DETAIL

(2) 300X07PMWXYZ (24" - 42" MOD) OR
 (2) 300X08PMWXYZ (48" - 72" MOD)
PANEL SUPPORT

NOT SHOWN		
(4)	F-2418-00	SCREW, ADJ. BOLT
(4)	F-2417-00	SCREW, ADJ. BOLT
* (4)/(8)	F-5280-00	LATCH, REM. PNL
* (4)/(8)	F-5281-00	STRIKE, REM. PNL
* (2)/(4)	F-5284-00	GROMMET, RUBBER
(8)	F-5709-00	THREADED INSERT
(16)	970403	SCREW, #6 PH
(44)	Q-5050-00	BOLT, 5/16-18 CARRIAGE
(44)	Q-1982-00	NUT, 5/16-18 NYLOK
(2)	344X01PR0001	RESIN BLOCK
(4)	336X04PM0001	SPLICE PLATE

*** QTY BASED ON # OF PANELS**

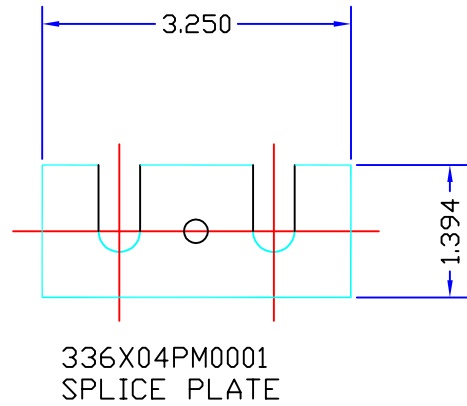
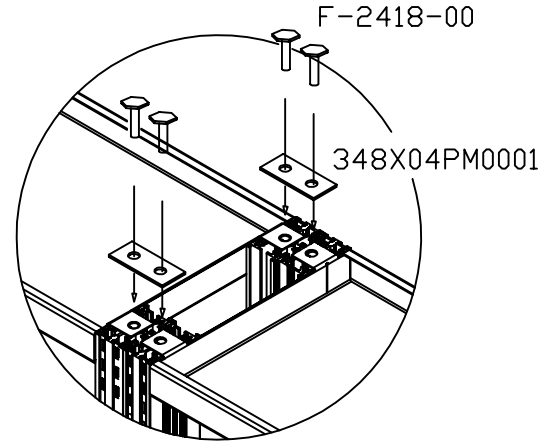
TOLERANCES ALL FRACTION DIM ±1/64" ALL DECIMAL DIM ±.015" ALL ANGLES ±1/2° UNLESS OTHERWISE SPECIFIED	SIZE	TITLE ALPHA MODULE 12" CORE	
	MATERIAL	AS SHOWN	PART NO. F36-ASSY
	SCALE		DWG.NO. -

	DATE	BY
DWN.	12/01/03	S.HUGGINS
DET.		
CKD.		

LTR REVISIONS

TOP SPLICE BRACKET

FIRST LOOSEN THE TWO ADJACENT F-2418 HEX HEAD ADJUSTMENT BOLTS FROM THE TOP ALPHA PAN. INSTALL THE 336X04PM0001 SPLICE BRACKET AND SCREW THE ADJUSTMENT BOLTS BACK INTO THE TOP PAN.



DWG.NO. -
PART NO. **12' MOD ASSY**

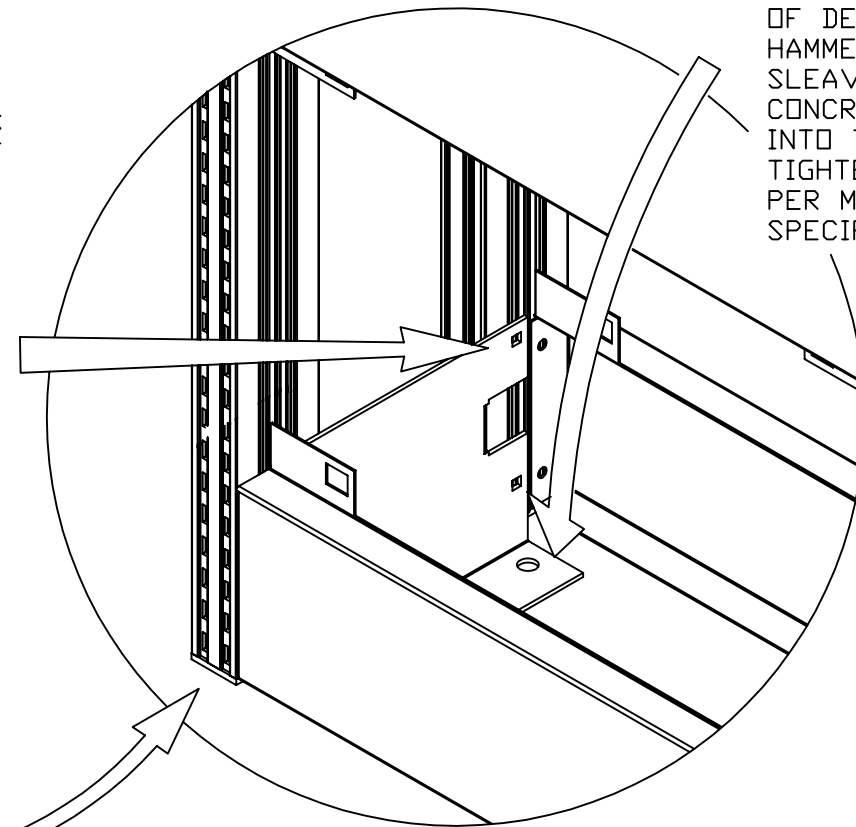
ANCHOR BRACKET

STEP-1
SET MODULE IN DESIRED LOCATION. LEVEL AND PLUMB MODULE USING THE ADJUSTMENT BOLTS ON THE BOTTOM OF THE MODULE.

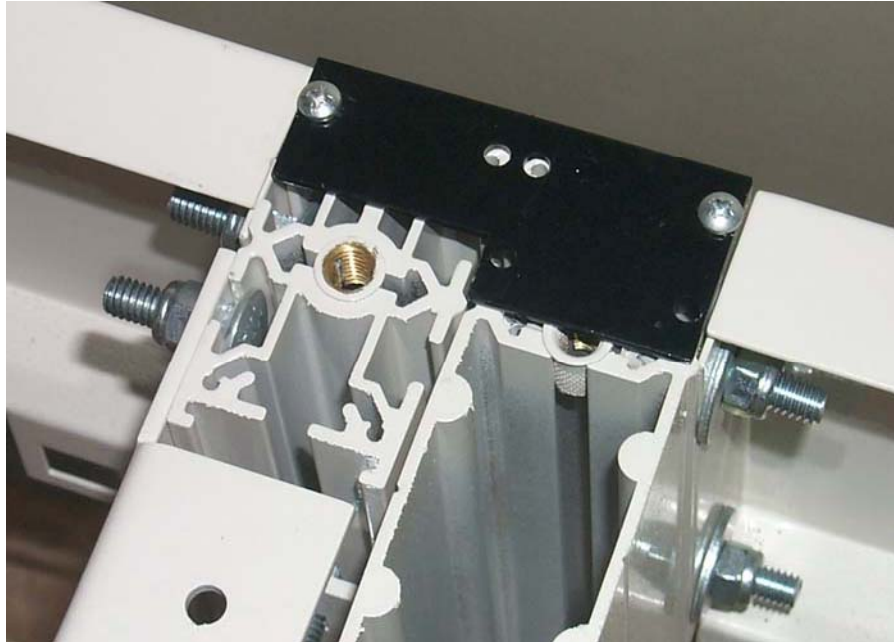
STEP-2
LOOSEN THE SIX NUTS ON THE ANCHOR BRACKET AND SLIDE DOWN UNTIL THE BRACKET RESTS ON THE FLOOR

STEP-3
DRILL THE TWO OUTSIDE HOLES ON THE ANCHOR PLATE 3 1/2" TO 4" DEEP. CLEAN THE HOLES OF DEBRIS AND HAMMER THE TWO SLEAVED HEX HEAD CONCRETE ANCHORS INTO THE HOLE. TIGHTEN ANCHORS PER MANUFACTURES SPECIFICATIONS

STEP-4
REPEAT STEP 2 & 3 ON THE OPPOSITE END OF MODULE



TOLERANCES ALL FRACTION DIM $\pm 1/64$ " ALL DECIMAL DIM $\pm .015$ " ALL ANGLES $\pm 1/2^\circ$ <small>UNLESS OTHERWISE SPECIFIED</small>		SIZE - MATERIAL AS SHOWN SCALE -	TITLE ALPHA MODULE 12" CORE SPLICE AND ANCHOR BRACKET DETAILS PART NO. 12' MOD ASSY DWG.NO. -	REV.LTR. -
---	--	--	--	----------------------



New Splice Plate

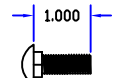
Shown on both 6" and 12" modules

	DATE	BY
DWN.	12/01/03	S.HUGGINS
DET.		
CKD.		

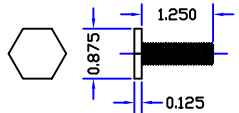
DWG.NO. -
PART NO. **F36-ASSY**

LTR	REVISIONS
-----	-----------

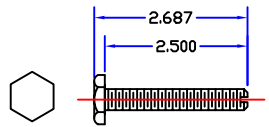
SUPPLIED PARTS



Q-5050-00
5/16-18 X 1"
CARRIAGE
BOLT



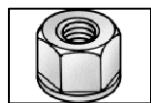
F-2418-00
3/8-16 X 1.2500"
FULL THREAD
ADJUSTMENT BOLT



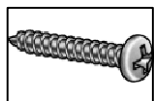
F-2417-00
3/8-16 X 2.500" FULL
THREAD
ADJUSTMENT BOLT



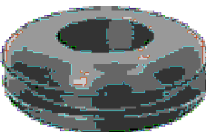
F-5281-00
STRIKE &
F-5280-00
LATCH



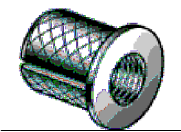
Q-1982-00
5/16-18 NUT
NYLOK



970403
#6 X 1/2"
PAN HEAD
SCREW

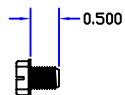


F-5284-00
1 1/8" DIA
HOLE
RUBBER
GROMMET

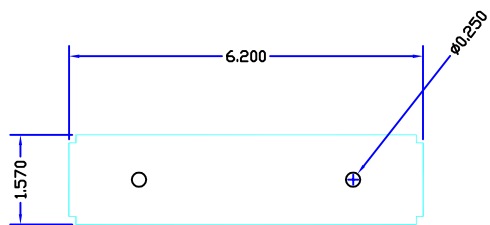


F-5709-00
3/8-16
KNURLED
BRASS, PRESS
INSERT

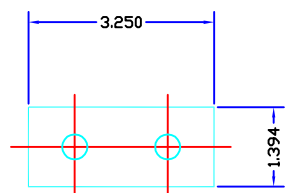
SCREW PACK
SP-0085-00



(5) Q-1023-00
1/4-20 X 1/2" HEX HEAD
SELF TAPPING SCREW
FOR RESIN BLOCK
INSTALLATION



344X01PR0001
#12 BLACK
RESIN BLOCK
INCLUDED WITH FULL HEIGHT
MODULES WITHOUT UPPER
PANELS



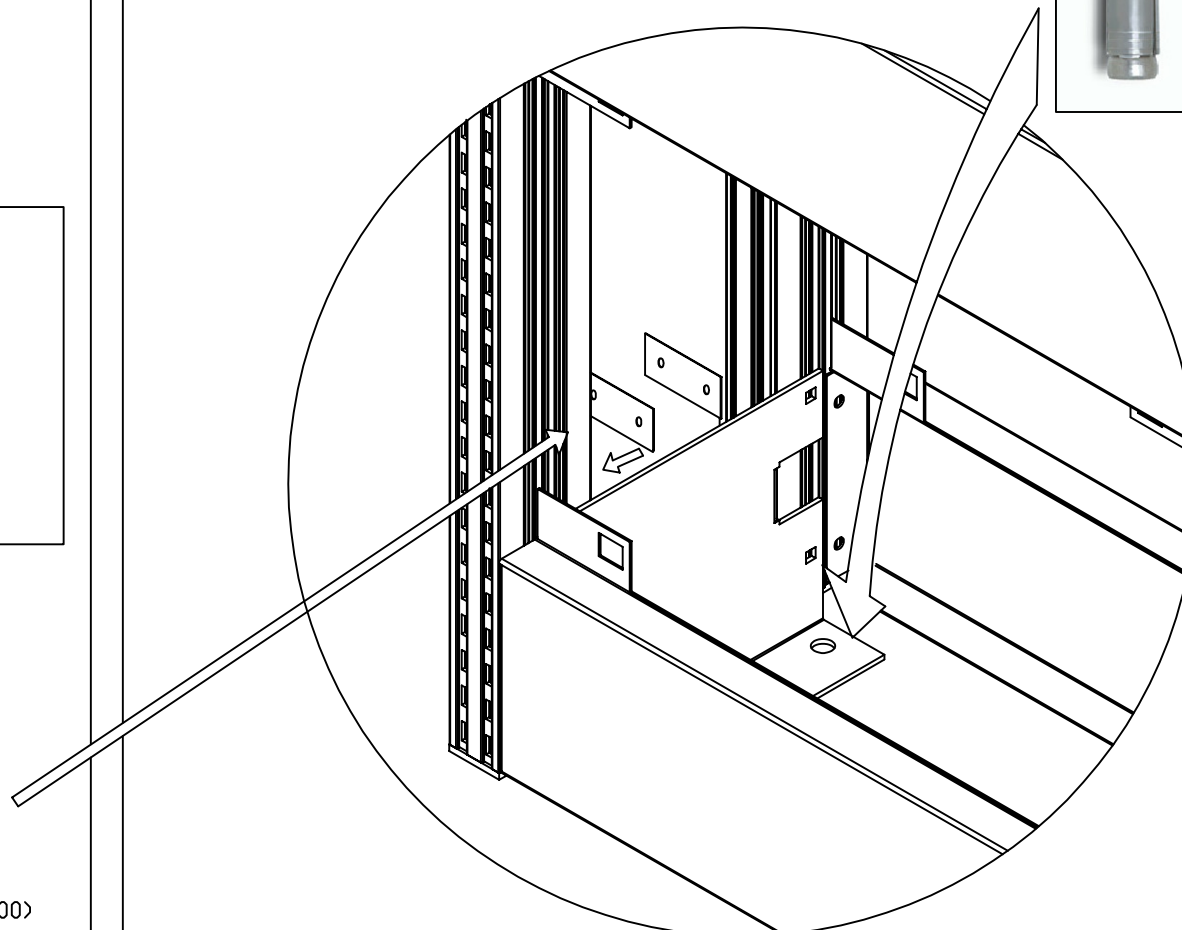
336X04PM0001
SPLICE PLATE
(INSTALLED WITH
Q-5050-00 & Q-1982-00)
USE FOR SPLICING
UNITS TOGETHER

REQUIRED BUT NOT SUPPLIED.

(6) 3/8 X 4" SLEAVED CONCRETE ANCHOR

SUGGESTED AND TESTED WITH POWERS LOK-BOLT

ANCHORS MUST BE INSTALLED PER PRODUCT SPECIFICATIONS.



TOLERANCES

ALL FRACTION DIM ±1/64"
ALL DECIMAL DIM ±.015"
ALL ANGLES ±1/2°

UNLESS OTHERWISE SPECIFIED

SIZE

MATERIAL **AS SHOWN**

SCALE

TITLE **ALPHA MODULE 12" CORE**

PART NO. **F36-ASSY**

DWG.NO. -

REV.LTR.

-

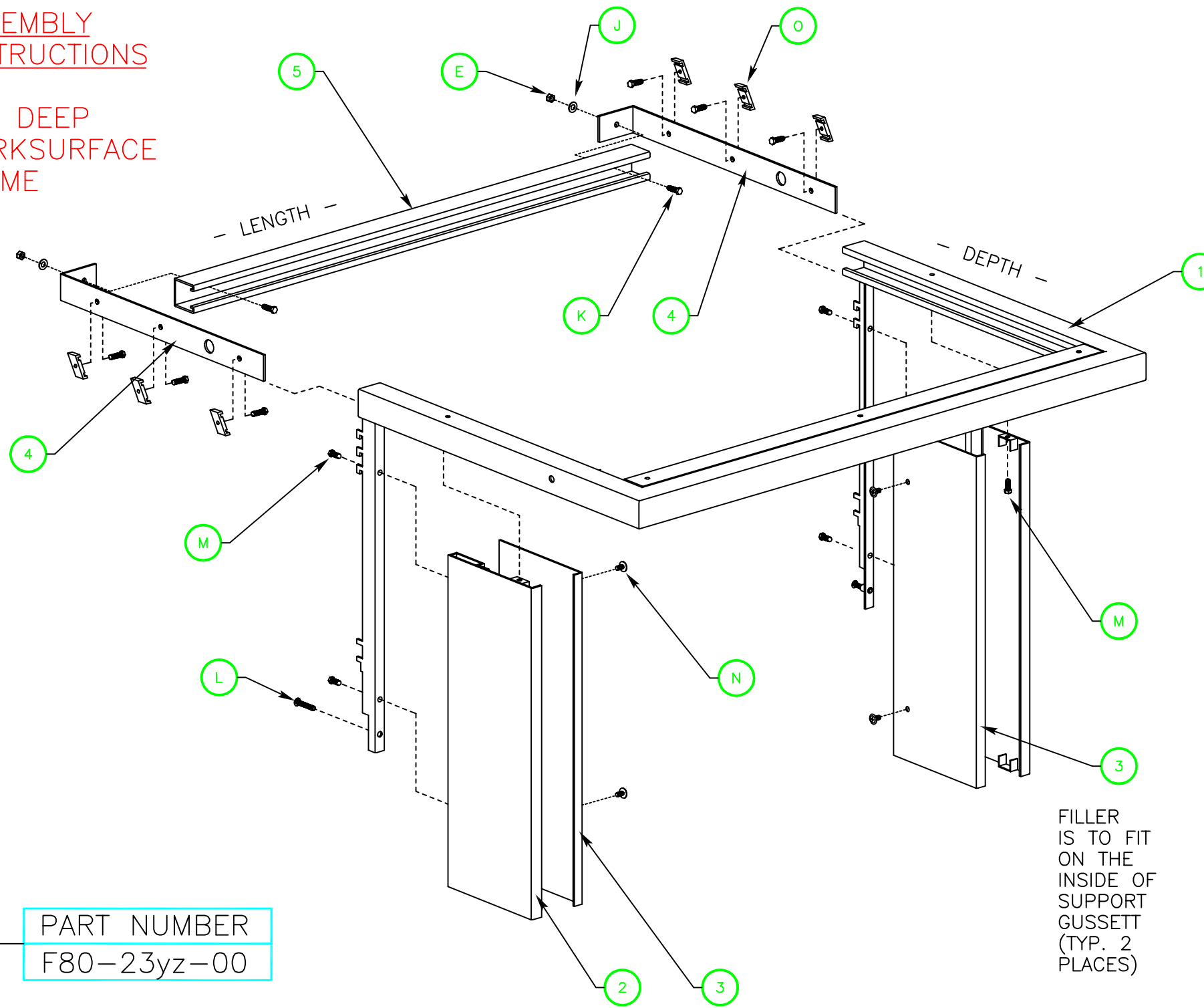
	DATE	BY
DWN.	2/4/98	A.W.S.
DET.		
CKD.		

LTR	REVISIONS
-----	-----------

DWG.NO.	1 OF 1
PART NO.	F80-2324-00

ASSEMBLY INSTRUCTIONS

23" DEEP WORKSURFACE FRAME



SPECIAL NOTE:
 WORKSURFACE FRAMES ARE OFFERED IN LENGTHS BASED ON 6" INCREMENTS. ALL PARTS RELATED FOR THE ASSEMBLY SHOWN IN LENGTH WILL FOLLOW ACCORDINGLY.

ALPHA SYSTEM 2000 - PARTS			
ITEM	PART NUMBER	DESCRIPTION	QTY.
1	348X01WMwxyz	WORKSURFACE FRAME WELD (24")	1
2	341X01WMwxyz	GUSSET WELDMENT	2
3	341X03PM0001	GUSSET FILLER	2
4	338X13PM0001	BRACKET RAIL SUPPORT	2
5	347X03PMwxyz	STRUT HANGER	1
-	336X01PM0001	FRAME SPACER WASHER	2

ALPHA SYSTEM 2000 - HARDWARE (SCREW PACKAGE: SP-0050-00)			
ITEM	PART NUMBER	DESCRIPTION	QTY.
E	Q-3808-00	1/4"X20 UNC. NYLOCK NUT	2
G	F-5294-00	5/16"X18 UNC.X3/4" HEX CAP SCREW (GRADE #8)	1
H	Q-1982-00	5/16"X18 UNC. NYLOCK NUT	1
I	Q-1055-00	5/16" FLAT WASHER	2
J	Q-0265-00	1/4" FLAT WASHER	10
K	F-0607-00	1/4"X20 UNC.X3/4"HEX HEAD CAP SCREW	8
L	Q-3415-00	1/4"X20 UNC.X1" CARRIAGE BOLT	2
M	Q-1023-00	1/4"X20 UNC.X1/2" SELF TAP HEX WASHER HEAD	6
N	Q-3416-00	#10X24 UNC.X1/2" SELF TAPP PAN HEAD SCREW	4
O	F-0169-01	UNISTRUT STYLE NUT	6
P	F-5312-00	3/8"DIA. PLASTIC FILLER CAP	2

FILLER IS TO FIT ON THE INSIDE OF SUPPORT GUSSET (TYP. 2 PLACES)

PART NUMBER
F80-23yz-00

"wxyz"	DESCRIPTION	"LENGTH"	"DEPTH"
2324	24" MODULE WORKSURFACE FRAME	23.875"	23.250"
2330	30" MODULE WORKSURFACE FRAME	29.875"	23.250"
2336	36" MODULE WORKSURFACE FRAME	35.875"	23.250"
2342	42" MODULE WORKSURFACE FRAME	41.875"	23.250"
2348	48" MODULE WORKSURFACE FRAME	47.875"	23.250"
2354	54" MODULE WORKSURFACE FRAME	53.875"	23.250"
2360	60" MODULE WORKSURFACE FRAME	59.875"	23.250"
2366	66" MODULE WORKSURFACE FRAME	65.875"	23.250"
2372	72" MODULE WORKSURFACE FRAME	71.875"	23.250"

PART NUMBER RANGE: F80-2324-00 THRU F80-2372-00

TOLERANCES ALL FRACTION DIM ±1/64" ALL DECIMAL DIM ±.015" ALL ANGLES ±1/2" UNLESS OTHERWISE SPECIFIED	SIZE SEE SPECIAL NOTE	TITLE ALPHA SYSTEM 2000 23" DEEP WORKFRAME ASSY.
	MATERIAL SEE TAB. CHART	PART NO. F80-2324-00
	SCALE	DWG.NO. 1 OF 1